

MHJB-NSS

Accessory · Spike MH Series

Product Features

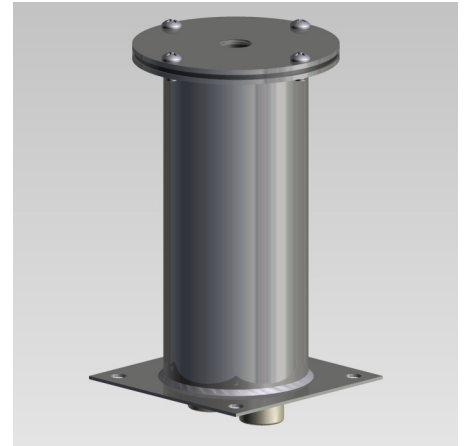
- Fabricated from SS304 stainless steel.
- Available in Powder coated and natural stainless steel finish for face plate and cap.
- Provides great stability.
- For line voltage application and driver installation.

Specification

Materials: Fabricated from SS304 stainless steel. 304 stainless steel hardware.

Mounting: Accepts all 1/2"-14 NPS male fitting.

Finish: Polyester powder coat with RoHS compliant procedures.



Ordering Guide

EXAMPLE: MHJB-NSS - BZ

SERIES	FINISH
MHJB-NSS	BK Black Powder Coat BZ Bronze Powder Coat NSS Natural Stainless Steel

Product Drawings

NOTE: Specification and dimensions subject to change without notice.

