

TM07

Accessory . Tree Mount Series

Product Features

- Robust tree mounting box with ample wiring compartment.
- Machined from solid billet 6061-T6 corrosion resistant aluminum.
- Comes with flexible stainless steel strap or Nylon strap.
- TM07-120 for line voltage, TM07-LV for low voltage installation.

Specification

Materials:

Strap: Flexible stainless steel strap.

Splice Box and Buckles: Machined from billet 6061-T6 corrosion resistant aluminum.

Hardware: Stainless Steel 304.

Finish: Polyester powder coat with RoHS compliant procedures.

Mounting: Accepts all 1/2"-14 NPS male fitting.

Quick Release Pin: Allows the "strap" to be mounted on the tree first without the fixture. Wire connection can be made at ground level. Then mount fixture/splice box assembly on to the pre-hung tree strap using the quick release pin.



Ordering Guide

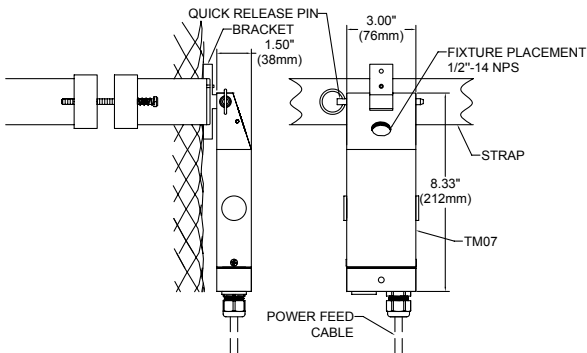
EXAMPLE: TM07 - LV - JBT - BZ - SST

SERIES	VOLTAGE	FIXTURE QTY/MOUNT	MOUNT QTY	FINISH	STRAP MATERIAL
TM07	-	-	-	-	-
	LV 12V	JBS Sigle		BZ Bronze Powder Coat BK Black Powder Coat	SST Stainless Steel
	120 120V	JBT Twin		NSS Natural Stainless Steel	NYL Black Nylon

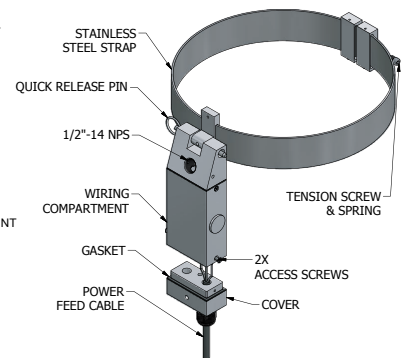
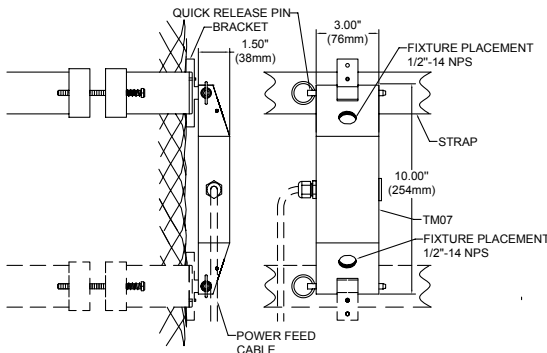
Product Drawings

NOTE: Specification and dimensions subject to change without notice.

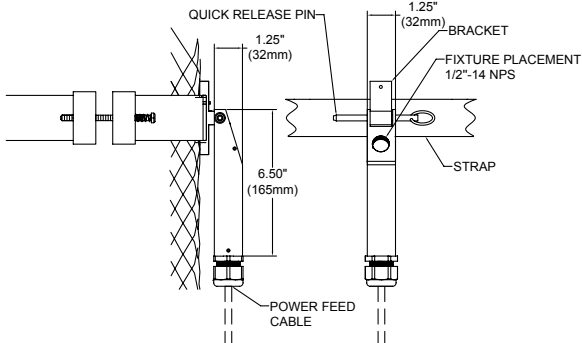
TM07-120-JBS



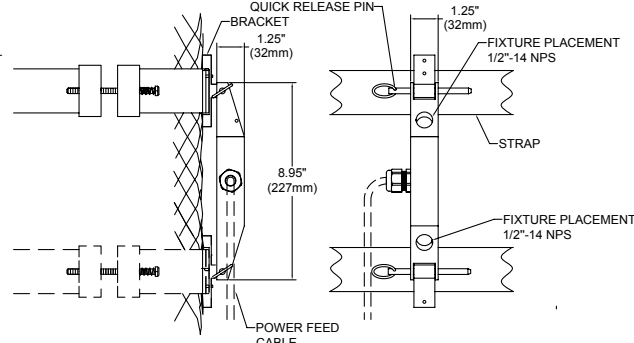
TM07-120-JBT



TM07-LV-JBS



TM07-LV-JBT



TM07-120-JBS SHOWN