

# ZXL16-CAT-ACRY

LED Catenary · ZX16 Series



## Product Features

- A unique catenary system including LED fixtures, turnbuckle, suspension cable, power cable for outdoor or indoor illumination.
- ETL outdoor wet location listed. IP65 standard.
- Machined from solid billet 6061-T6 corrosion resistant aluminum.
- Modular components - field changeable LED module & beam spread reflectors.
- Brushed acrylic hood provide even glow through out, and subtle lighting around the fixture in addition to the down light.

## Specification

### Materials:

Body: Machined from billet 6061-T6 corrosion resistant aluminum with 304 stainless steel hardware. Available in 304/316 stainless steel or 360 brass upon request.  
Hood: Brushed acrylic rod.

**Fixture Weight:** 2lbs.

**Voltage:** 12V AC/DC. Requires remote step down transformer.

**Wattage:** 5, 7 or 10W HK LED.

**Dimmability:** MLV.

**Light Source:** CRI 83. Available in CRI95 upon request. The chromaticity range is within a 3-step McAdam Ellipse. Standard CCT options are 2700K, 3000K, 4000K.

**Lamp Base / Socket:** Innovative cone-shaped lamp base and receptacle socket maximize the surface contact area to dissipate heat more effectively. See "Resources" for details.

**Finish:** Polyester powder coat on all aluminum materials with RoHS compliant procedures. Anodized finish is available. Stainless steel and brass models are provided with brushed surface.

**Optical Accessories:** Dichroic color filters. Secured in place with metal snap ring.

**Mounting Method:** Custom hook mechanism on top of fixture that utilizes set screws to secure fixture(s) on the suspension cable and to lock the position of fixture on the cable.

**Turn Buckle (Optional):** Allows fine tuning of the tension on the support cable, up to 1.50" of adjustment.

**Power Cable (Optional):** 18/2 SJTW cable, dia 0.29".

**Suspension Cable (Optional):** 7x7 stainless steel wire rope, maximum diameter is 5/32", capacity 450lbs.

## Ordering Guide

EXAMPLE: ZXL16-CAT-ACRY - 12V - 7 - 27 - BK - DF - TURN BUCKLE

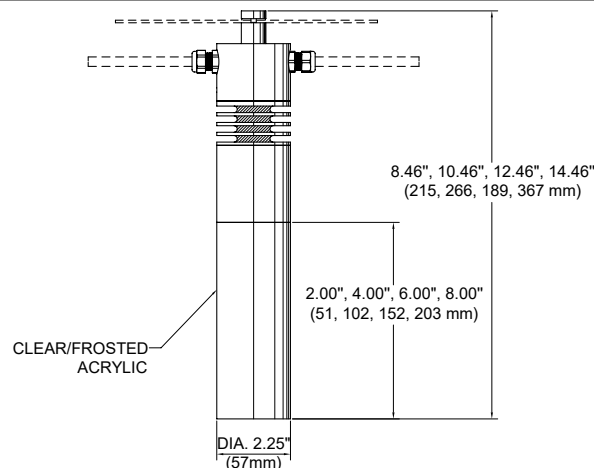
SERIES	MATERIAL	VOLTAGE	WATTAGE	CCT	FINISH	OPTIONAL, SELECT UP TO 3 OPTIC ACCESSORIES	OPTIONAL MOUNTING ACCESSORIES
ZXL16-CAT-ACRY	-	12V	-	-	-	-	-
	BLANK Aluminum(Standard)		5 5W	27 2700K	Standard	DF Dichroic Filter	See page 3 for quick reference, or "Accessories" link for detailed specification.
	NBR Natural Brass		7 7W	30 3000K	BK Black Powder Coat		
	NSS Natural Stainless Steel		10 10W	40 4000K	BZ Bronze Powder Coat		
	CU Natural Copper				WT White Powder Coat		
					Premium ABK Anodized Black ACL Anodized Clear CC Custom Powder Coat		

Remote Step Down Transformer (Optional).  
See "Accessories" link for detailed specification.

Model	Wattage(VA)	Primary Voltage(VAC)	Secondary Volt(VAC)	Dimming Method	Characters
TXM	20 40 60 100	120 or 277	12	MLV	Outdoor, Wall Mount, Compact
TXS	150	120	Multi-tap of 12, 13, 14, 15 VAC	MLV	Outdoor, Wall mount, Stainless Steel Case
IGT	50(120V only) 100	120 or 277	12	MLV	in grade

## Product Drawings

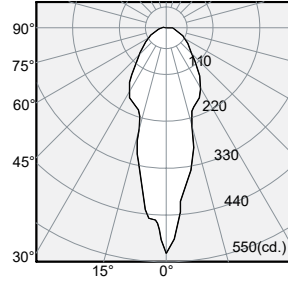
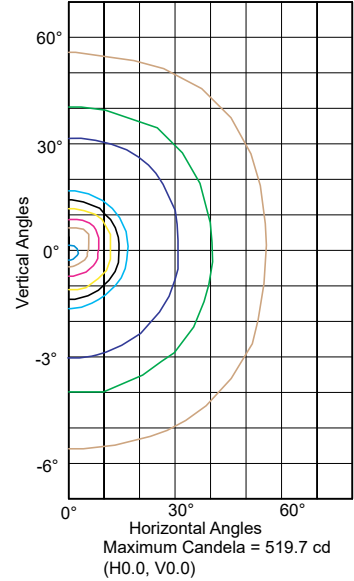
NOTE: Specification and dimensions subject to change without notice.



**Photometry & Energy Data**

 MODEL **ZXL16-CAT-ACRY-7W**

Input Power	6.8W
Color Temperature (CCT)	3000K
Color Rendering Index (Ra)	83
Beam Angle	28.5°
Max. Candlepower	522cd
Delivered Lumens	491lm
Efficacy	74lm/W

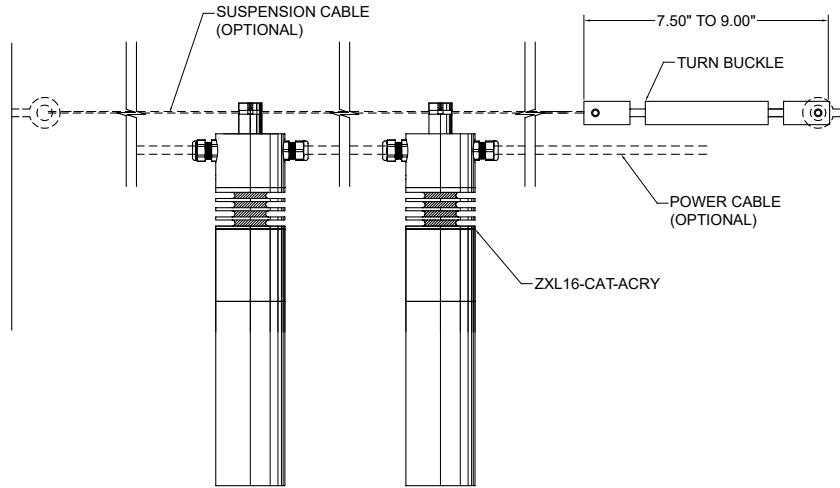
**Polar Graph - Intensity**

**Isocandela Curves**

**Wattage Multiplier Table**

Wattage	Multiplier
5Watt	0.68
7Watt	1.0
10Watt	1.29

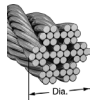
**CCT Multiplier Table**

Color Temp.	Multiplier
2700K	0.96
3000K	1.00
4000K	1.03

Mounting Accessories



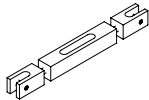
Suspension Cable:



Power Cable:



Turn Buckle:



Notes