

# ZXL08 SQUARE



(includes former ZXL08-SQ model)

ACCENT & LANDSCAPE | ZX08 Series | 1.13"

3W (200LM) | 12V | HK LED, Amber

## FEATURES

- Our smallest square, directional 12V LED modern accent light for smaller plants, tree mounting, and architecture.
- 3W integrated HK LED delivering 200 lumens. 2200-4000K CCT, including specialty Amber option.
- Wet Location Listed, IP67 Standard.
- Machined from solid aircraft grade (6061-T6), corrosion-resistant aluminum, then anodized and powder coated to create a highly durable, marine grade finish. Also available in solid brass or stainless steel.
- 180° vertical and 360° horizontal adjustment via locking swivel stem design.
- Modular components, field changeable LED optical beams, and lenses.
- Available with adjustable Angled, Long, and Short Glare Shields and ground, surface, and canopy mounting options.
- Every fixture tested end of line for water tightness and light quality.
- Ships complete with selected accessories installed.



Standard Low Voltage Square Accent: ZXL08-0S1SA-ABL



Finned Low Voltage Square Accent: ZXL08-0S1FA-AAC

## SPECIFICATIONS

### Materials

Machined from billet 6061-T6 corrosion resistant aluminum with 304 stainless steel hardware. Available in 304/316 stainless steel or 360 brass upon request.

### Finish

Aluminum materials are first anodized and then powder coated for a robust, marine grade finish. Stainless steel and brass models are provided with brushed surface.

### Glare Shield

Weeping Hood Style with Angled, Short, or Long Glare Shields. (See page 4 for details).

### Voltage

12V AC/DC. Requires remote step down transformer.

### Wattage

3W HK LED delivering 200 lumens.

### Light Engine

Innovative HK LED Light module operates like a lamp and can be easily changed in the field. CRI 90 Standard. Available in CRI 80 or CRI 95 upon request. Standard CCT options are 2700K, 3000K, 3500K, 4000K. Specialty 2200K, 2400K, 2500K, and Amber options available. Consult factory for specialty LED specification details.

### Dimming

MLV or ELV Phase Control dimming.

### Optics

Narrow (19°), Medium (26°), and Wide (51°) beam spread options available. Accepts up to 3 optical accessories (hexcel louver, optical lenses, dichroic color filters, etc.) Secured place with metal snap ring.

### Mounting

Mounts using 1/2"-14 NPS male fitting compatible with all HK Lighting Group mounting devices. (See page 4 for details).

### Listings

ETL Listed for Wet Location, IP67 Standard. RoHS Compliant.

## ORDERING GUIDE

EXAMPLE: ZXL08-0S1SA-ABL-012V03W-27N-GSA-LVR-MHCS-06

MODEL	PHYSICAL OPTIONS			MATERIAL / FINISH	POWER	LIGHT		
<b>ZXL08</b>	<b>OS1</b>		<b>A</b>		<b>012V</b>			
ZX08 Series 1.13" Accent Light Integrated HK LED	<b>TYPE</b>	<b>STYLE</b>	<b>HOOD</b>	<b>ABL</b> Aluminum Black	<b>VOLTAGE</b>	<b>WATTAGE</b>	<b>CCT</b>	<b>OPTICS</b>
	<b>OS1</b> Low Voltage, Square Accent	<b>S</b> Standard <b>F</b> Finned	<b>A</b> A Style: Weeping	<b>ABR</b> Aluminum Bronze	<b>012V</b> 12V AC	<b>03W</b> 3 Watts (200lm) <b>SPW</b> Specialty <sup>2</sup>	<b>22</b> 2700K <b>24</b> 2700K <b>25</b> 2700K <b>27</b> 2700K <b>30</b> 3000K <b>35</b> 3500K <b>40</b> 4000K <b>AM</b> Amber LED <sup>2</sup>	<b>N</b> Narrow (19°) <b>M</b> Medium (26°) <b>W</b> Wide (51°) <b>CC</b> Custom Optic
				<b>AWH</b> Aluminum White				
				<b>AAC</b> Aluminum Anodized Clear <sup>1</sup>				
				<b>NBR</b> Natural Brass <sup>1</sup>				
				<b>NCU</b> Natural Copper <sup>1</sup>				
				<b>NSS</b> Natural Stainless Steel <sup>1</sup>				
				<b>CCC</b> Custom Finish <sup>1</sup>				

<sup>1</sup> Consult factory for specialty finish quoting and lead times

<sup>2</sup> For Specialty AM (Amber LED), select SPW (Specialty) for Wattage. Consult factory for LED technical details before Specification or Order.

## OPTIONAL INSTALLED ACCESSORIES

### GLARE SHIELD

<b>GSA</b>	A/B Glare Shield Angled
<b>GSL</b>	A/B Glare Shield Long
<b>GSS</b>	A/B Glare Shield Short

### OPTIC

<b>LVR</b>	Hexcel Louver
<b>OSL</b>	Overall Spread Lens
<b>LSL</b>	Linear Spread Lens
<b>SOL</b>	Solite Soft Focus
<b>DCF</b>	Dichroic Filter

### MOUNTING (Most common listed, see Page 4 for additional options)

<b>GROUND MOUNT</b>	
<b>MHCS-06</b>	6" PVC Single Prong Spike (12V)
<b>MHCS-12</b>	12" PVC Single Prong Spike (12V)
<b>MH02-06-BRZ</b>	6" Stainless Steel 3-Prong Spike (12V) Bronze
<b>MH02-12-BRZ</b>	12" Stainless Steel 3-Prong Spike (12V) Bronze
<b>JB-1</b>	Brass In-ground Junction Box
<b>CANOPY MOUNT</b>	
<b>CM1-XXX</b>	3.75" Square Canopy Plate
<b>CM3-XXX</b>	4.75" Square Canopy Plate
<b>CM5-XXX</b>	5" Round Canopy Plate
<b>CM5-2-XXX</b>	5" Round Canopy Plate - Double
<b>SURFACE MOUNT</b>	
<b>CMLJ-XXX</b>	2.7" Round Surface Box
<b>CB4.0-XXX</b>	4" Round Surface Box
<b>CB5.5-XXX</b>	5.5" Round Surface Box
<b>TREE MOUNT</b>	
<b>TM125-ABR</b>	Aluminum Tree Mount Box (12V)
<b>TM125-TS-ABR</b>	Stainless Steel Strap for TM125
<b>EXTENSIONS</b>	
<b>EX-12-XXX</b>	12" Extension
<b>EX-24-XXX</b>	24" Extension
<b>EL-XXX</b>	Elbow Extension

## ADDITIONAL ACCESSORIES (Not installed at time of order)

### GLARE SHIELD ACCESSORIES

<b>GSL-SQ-08-XXX</b>	A Glare Shield Long
<b>GSA-SQ-08-XXX</b>	A Glare Shield Angled
<b>GSS-SQ-08-XXX</b>	A Glare Shield Short

### OPTIC ACCESSORIES

<b>LVR-08</b>	Hexcel Louver
<b>OSL-08</b>	Overall Spread Lens
<b>LSL-08</b>	Linear Spread Lens
<b>SOL-08</b>	Solite Soft Focus
<b>DCF-08</b>	Dichroic Filter
<b>OPK-08</b>	Optic Kit - Narrow, Medium

- Consult Accessory Spec Sheet for desired option code.
- XXX represents color option.

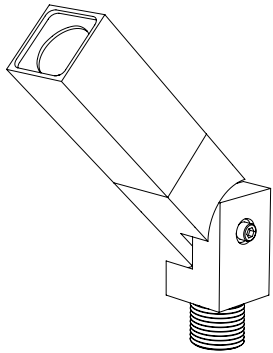
## OUTDOOR MAGNETIC TRANSFORMERS (120V input/12VAC Output)

TRANSFORMERS (Go to [Accessories](#) for detailed specification)

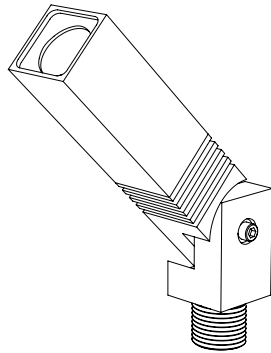
EXAMPLE: TXM-20-120

MODEL	WATTAGE (VA)	PRIMARY VOLTAGE (VAC)
<b>TXM</b> Compact, damp location magnetic transformer 12VAC Output   MLV Dimming	20, 40, 60, 100, 150, 300	120, 277
<b>TXM</b> Stainless steel, wet location outdoor magnetic transformer with integrated light sensor Multitap   12VAC Output   MLV Dimming	300	OTR-SS (120V Only)
<b>TXS</b> Stainless steel, wet location outdoor magnetic transformer Multitap   12VAC Output   MLV Dimming	150, 300, 600	-SS (120V Only)
<b>IGT</b> In-grade outdoor magnetic transformer 12VAC Output   MLV Dimming	50 (120V Only), 100, 300, 600	120, 277
<b>TXE</b> In-fixture or near mounted electronic transformer 12VAC Output   ELV Dimming   Enclosure by others	60	120, 230, 277

**PRODUCT DRAWINGS**

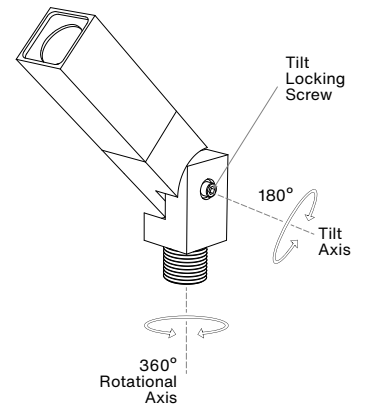
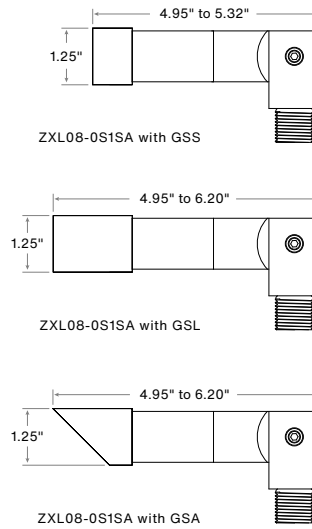
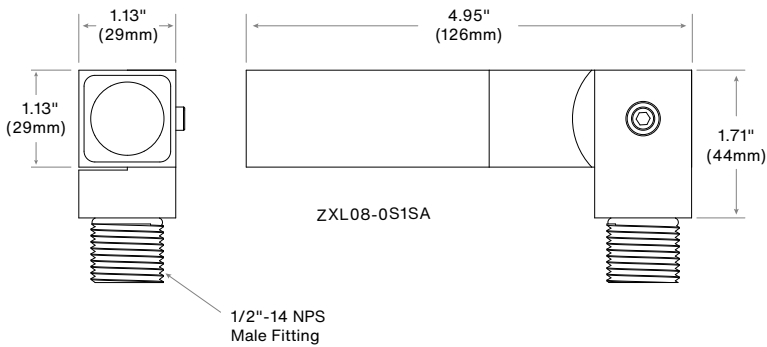


**ZXL08-0S1S**  
Standard

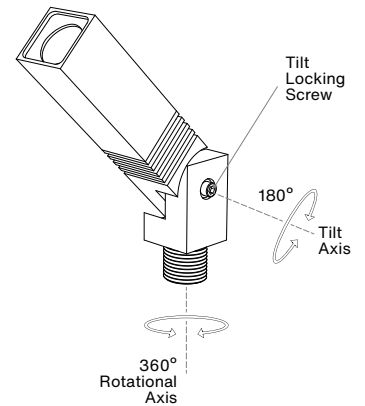
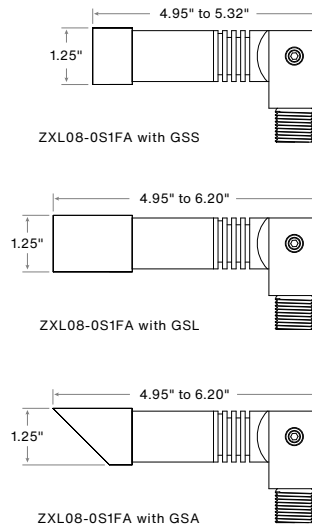
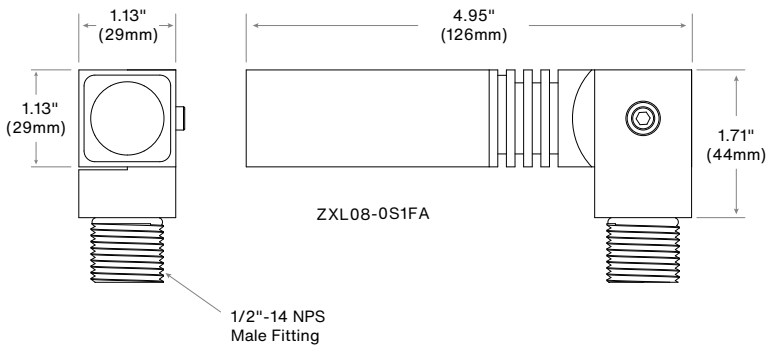


**ZXL08-0S1F**  
Finned

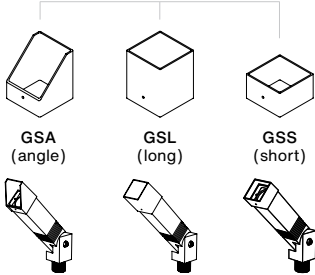
**ZXL08-0S1S**



**ZXL08-0S1F**

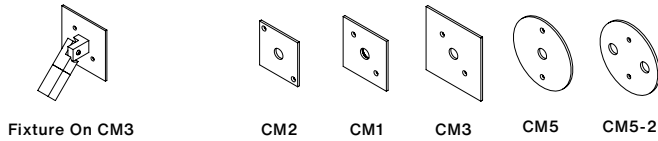


**OPTIONS & ACCESSORIES**
**OPTIONAL GLARE SHIELD**

 For use with SQ Hood,  
 fastened with Set Screw

**GSA**  
 (angle)

**GSL**  
 (long)

**GSS**  
 (short)

**MOUNTING ACCESSORIES**
**Canopy Plate:**


Fixture On CM3

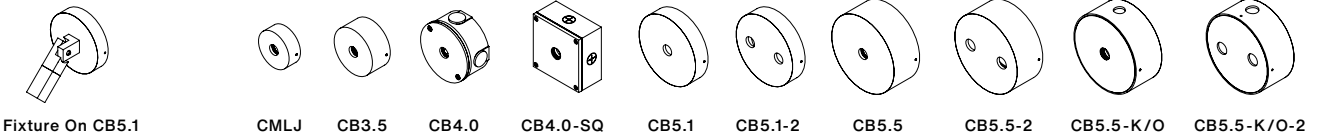
CM2

CM1

CM3

CM5

CM5-2

**Surface Mount Box:**


Fixture On CB5.1

CMLJ

CB3.5

CB4.0

CB4.0-SQ

CB5.1

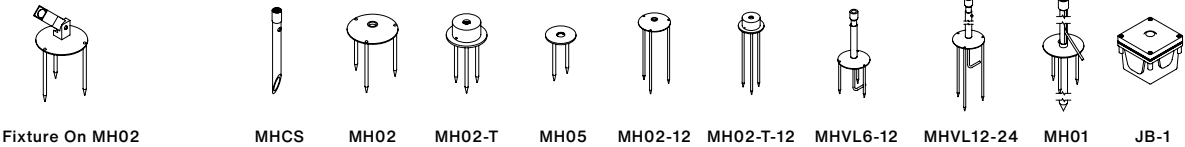
CB5.1-2

CB5.5

CB5.5-2

CB5.5-K/O

CB5.5-K/O-2

**Ground Mount:**


Fixture On MH02

MHCS

MH02

MH02-T

MH05

MH02-12

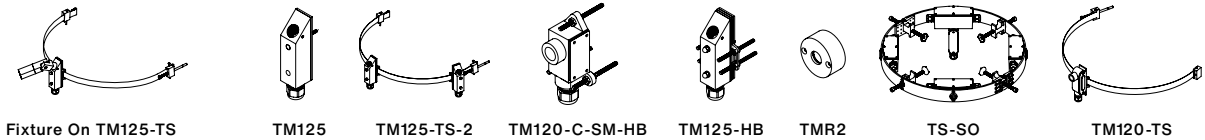
MH02-T-12

MHVL6-12

MHVL12-24

MH01

JB-1

**Tree Mount:**


Fixture On TM125-TS

TM125

TM125-TS-2

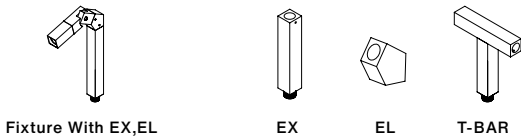
TM120-C-SM-HB

TM125-HB

TMR2

TS-SO

TM120-TS

**Extension:**


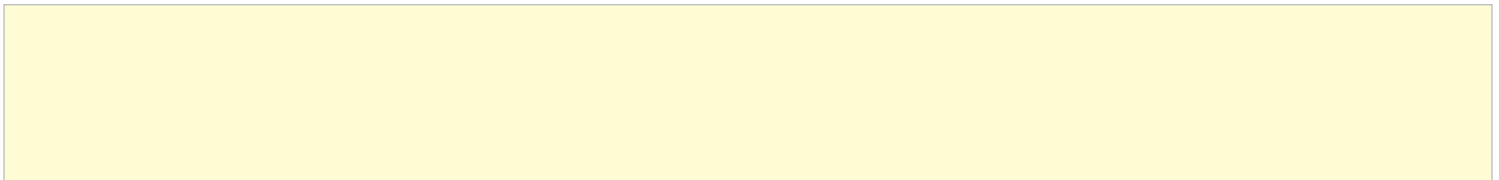
Fixture With EX,EL

EX

EL

T-BAR

**Sign Light Arm:** Please reference the Sign & Pole Mounting section in [Accessories](#) on our website.

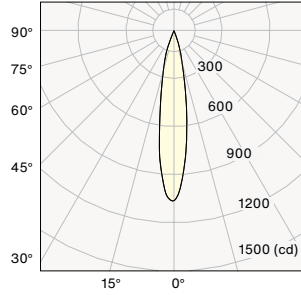
**Notes:**


## PHOTOMETRY & ENERGY DATA

### ZXL08-SQ-3W-N (Narrow)

Input Power	2.97W
Color Temperature (CCT)	3000K
Color Rendering Index (Ra)	80
Beam Angle	18.4°
Max. Candlepower	1037cd
Delivered Lumens	171lm
Efficacy	57lm/W

Polar Graph - Intensity



Cone of Light - Illuminance

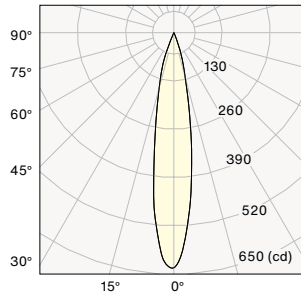
Center Beam (fc)	Beam Diameter	Distance
259	0.6'	2.0'
65	1.3'	4.0'
29	1.9'	6.0'
16	2.6'	8.0'
10	3.2'	10.0'

1/2 Beam Angle: 18.4°

### ZXL08-SQ-3W-M (Medium)

Input Power	2.98W
Color Temperature (CCT)	3000K
Color Rendering Index (Ra)	80
Beam Angle	25.4°
Max. Candlepower	636cd
Delivered Lumens	169lm
Efficacy	56lm/W

Polar Graph - Intensity



Cone of Light - Illuminance

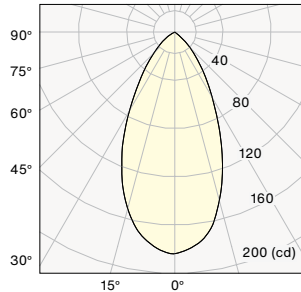
Center Beam (fc)	Beam Diameter	Distance
159	0.9'	2.0'
40	1.8'	4.0'
17	2.7'	6.0'
10	3.6'	8.0'
6	4.5'	10.0'

1/2 Beam Angle: 25.4°

### ZXL08-SQ-3W-W (Wide)

Input Power	3.0W
Color Temperature (CCT)	3000K
Color Rendering Index (Ra)	80
Beam Angle	50.9°
Max. Candlepower	183cd
Delivered Lumens	157lm
Efficacy	53lm/W

Polar Graph - Intensity



Cone of Light - Illuminance

Center Beam (fc)	Beam Diameter	Distance
46	1.9'	2.0'
11	3.8'	4.0'
5	5.7'	6.0'
3	7.6'	8.0'
2	9.5'	10.0'

1/2 Beam Angle: 50.9°

### WATTAGE MULTIPLIER

Wattage	Multiplier
3 Watt	1.00

### CCT MULTIPLIER

Color Temp.	Multiplier
2700k	0.96
3000k	1.00
4000k	1.03