

# ZX16 Square GU10

(includes former ZX16-SQ-GU10-SOi model)



ACCENT & LANDSCAPE | ZX16 Series | 2"

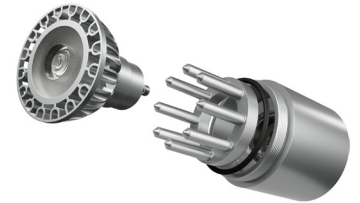
7.5W (600LM) | 120, 230V | SORAA, LED Lamp, Halogen

## FEATURES

- Versatile square, directional 120V/230V MR16 (GU10) modern accent light for residential and commercial environments.
- Flexible lamp configurations include SORAA LED Lamp with patented Heat Sink or use your preferred LED or Halogen lamp.
- Wet Location Listed, IP67 Standard.
- Machined from solid aircraft grade (6061-T6), corrosion-resistant aluminum, then anodized and powder coated to create a highly durable, marine grade finish.
- 90° vertical and 360° horizontal adjustment via locking swivel stem design.
- Field changeable optical lensing available.
- Available with adjustable Angled, Long, and Short Glare Shields and ground, surface, and canopy mounting options.
- Every fixture tested end of line for water tightness and light quality.
- Ships complete with selected accessories installed.



Square Line Voltage GU10 Accent: ZX16-1S1SA-NSS



### Integral SORAA® Heat Sink

US patented Thermobuster™ provides extra heat dissipation that reduces the lamp junction temperature by 77°F(25°C). Enables even the highest wattage SORAA® lamps to be used in an enclosed fixture without sacrificing its performance or life expectancy.

## SPECIFICATIONS

### Materials

Solid billet 6061-T6 corrosion resistant aluminum with 304 stainless steel hardware.

### Finish

Aluminum materials are first anodized and then powder coated for a robust, marine grade finish. Stainless steel and brass models are provided with brushed surface.

### Hood and Glare Shield

Weeping Hood Style with Angled, Short, or Long Glare Shields. (See page 4 for details).

### Voltage

120 or 230V AC.

### Wattage

Max. 9W for SORAA MR16 lamp with Thermobuster. Max. 50W for halogen MR16 without Thermobuster.

### Light Engine

MR16 GU10 Halogen lamp or MR16 GU10 SORAA® LED lamp. Please refer to [SORAA MR16 GU10](#) for lamp selection.

### Dimming

Phase. Please refer to website for [SORAA® GU10 dimmer compatibility](#).

### Lamp Base/Socket

Porcelain GU10 twist - lock lamp base.

### Optics

Accepts up to 3 accessories (hexcel louver, optical lenses, dichroic color filters, etc.). Secured in place with metal snap ring.

### Mounting

Mounts using 1/2"-14 NPS male fitting compatible with all HK Lighting Group mounting devices.

### Listings

ETL Listed for Wet Location, IP67 Standard. RoHS Compliant.

## ORDERING GUIDE

EXAMPLE: ZX16-1S1SA-ABR-120VSL-08750-GSA-LVR-MHJB-06-BRZ

MODEL	PHYSICAL OPTIONS			MATERIAL / FINISH	LIGHT ENGINE		
<b>ZX16</b> ZX16 Series 2.25" Accent Light SORAA LED, LED Lamp or Halogen Lamp Line Voltage (GU10)	<b>1S1</b>	<b>S</b>	<b>A</b>				
	<b>TYPE</b>	<b>STYLE</b>	<b>HOOD</b>	<b>ABL</b> Aluminum Black	<b>VOLTAGE</b>		<b>LAMP</b>
	1S1 Line Voltage, Square Accent	S Standard	A A Style: Weeping	ABR Aluminum Bronze	120V 120V AC (GU10 Lamp)	NL No Lamp <sup>2</sup>	
				AWH Aluminum White	230V 230V AC (GU10 Lamp)	SL SORAA Lamp Included <sup>3</sup>	
				AAC Aluminum Anodized Clear <sup>1</sup>		SN SORAA Lamp Not Included <sup>3</sup>	
				NBR Natural Brass <sup>1</sup>		CC Custom Lamp Included	
				NCU Natural Copper <sup>1</sup>			
				NSS Natural Stainless Steel <sup>1</sup>			
				CCC Custom Finish <sup>1</sup>			

<sup>1</sup> Consult factory for specialty finish quoting and lead times

<sup>2</sup> Compatible with Halogen Lamp

<sup>3</sup> Only compatible with SORAA LED Lamp

<sup>4</sup> 120V only

## OPTIONAL INSTALLED ACCESSORIES

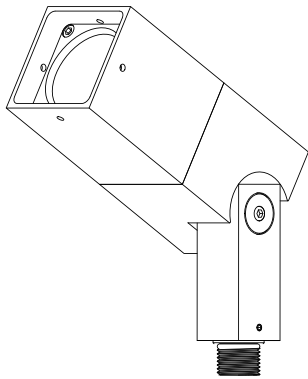
SORAA LAMP		GLARE SHIELD		OPTIC		MOUNTING (Most common listed, see Page 4 for additional options)	
XXXXX	SORAA LED Lamp Code	GSA	A/B Glare Shield Angled	LVR	Hexcel Louver	<b>GROUND MOUNT</b>	
08750	SORAA Brilliant HL 7.5W <sup>4</sup>	GSL	A/B Glare Shield Long	OSL	Overall Spread Lens	MHJB-06-BRZ	6" Stainless Steel 3-Prong Spike (120-277V) Bronze
		GSS	A/B Glare Shield Short	LSL	Linear Spread Lens	MHJB-12-BRZ	12" Stainless Steel 3-Prong Spike (120-277V) Bronze
		CGSA	C Glare Shield Angled	SOL	Solite Soft Focus	JB-1	Brass In-ground Junction Box
		CGSL	C Glare Shield Long	DCF	Dichroic Filter	<b>CANOPY MOUNT</b>	
		CGSS	C Glare Shield Short			CM1-XXX	3.75" Square Canopy Plate
						CM3-XXX	4.75" Square Canopy Plate
						CM5-XXX	5" Round Canopy Plate
						CM5-2-XXX	5" Round Canopy Plate - Double
						<b>SURFACE MOUNT</b>	
						CMLJ-XXX	2.7" Round Surface Box
						CB4.0-XXX	4" Round Surface Box
						CB5.5-XXX	5.5" Round Surface Box
						<b>TREE MOUNT</b>	
						TM07-JBS-XXX	Single Aluminum Tree Mount Box with Stainless Steel Strap (120V)
						TM07-JBT-XXX	Twin Aluminum Tree Mount Box with Stainless Steel Strap (120V)
						<b>EXTENSIONS</b>	
						EX-12-XXX	12" Extension
						EX-24-XXX	24" Extension
						EL-XXX	Elbow Extension

- Consult Accessory Spec Sheet for desired option code.
- XXX represents color option.

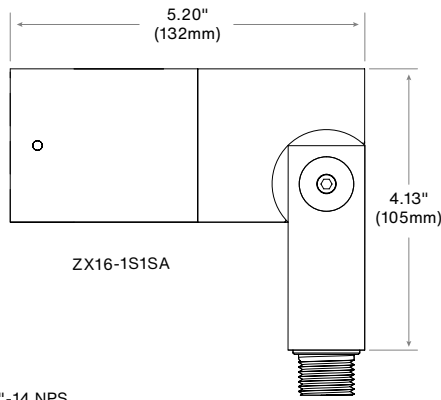
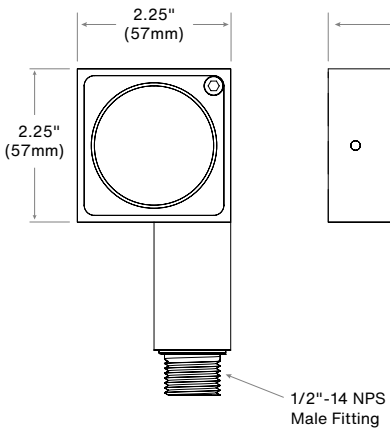
## ADDITIONAL ACCESSORIES (Not installed at time of order)

GLARE SHIELD ACCESSORIES		OPTIC ACCESSORIES	
GSL-SQ-16-XXX	A/B Glare Shield Long	LVR-16	Hexcel Louver
GSA-SQ-16-XXX	A/B Glare Shield Angled	OSL-16	Overall Spread Lens
GSS-SQ-16-XXX	A/B Glare Shield Short	LSL-16	Linear Spread Lens
		SOL-16	Solite Soft Focus
		DCF-16	Dichroic Filter

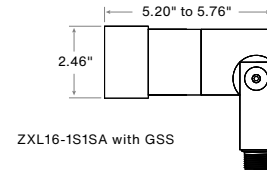
**PRODUCT DRAWINGS**



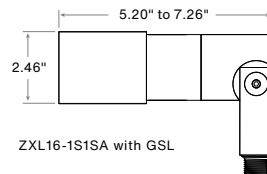
**ZX16-1S1SA**



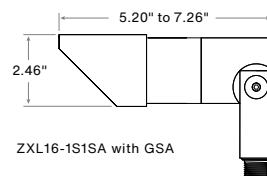
**ZX16-1S1SA**



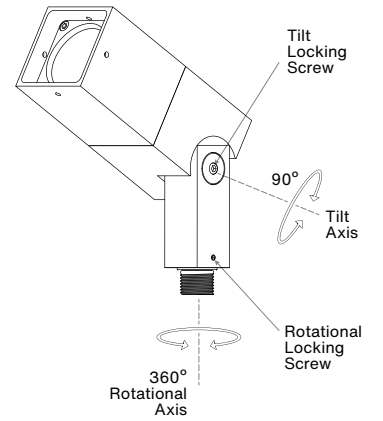
ZXL16-1S1SA with GSS



ZXL16-1S1SA with GSL



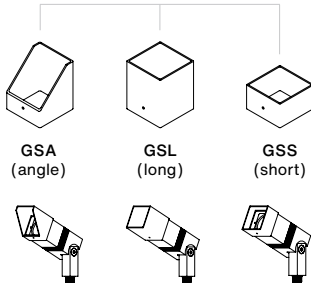
ZXL16-1S1SA with GSA



## OPTIONS & ACCESSORIES

### OPTIONAL GLARE SHIELD

For use with SQ Hood,  
Fastened with Set Screw



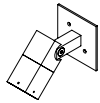
GSA  
(angle)

GSL  
(long)

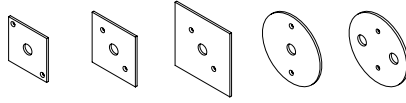
GSS  
(short)

### MOUNTING ACCESSORIES

#### Canopy Mount:



Fixture On CM5



CM2

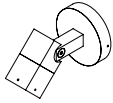
CM1

CM3

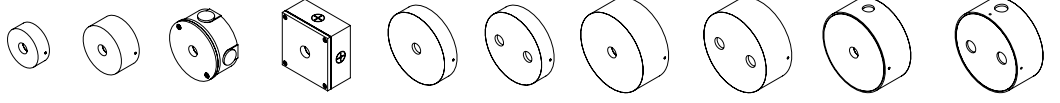
CM5

CM5-2

#### Surface Mount Box:



Fixture On CB5.1



CMLJ

CB3.5

CB4.0

CB4.0-SQ

CB5.1

CB5.1-2

CB5.5

CB5.5-2

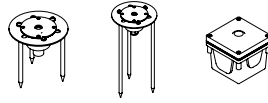
CB5.5-K/O

CB5.5-K/O-2

#### Ground Mount:



Fixture On MHJB-06

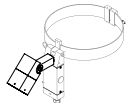


MHJB-06

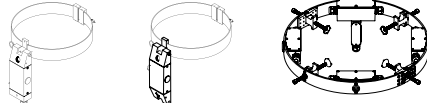
MHJB-12

JB-1

#### Tree Mount:



Fixture On TM07-JBS



TM07-JBS

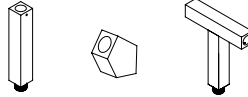
TM07-JBT

TS-SO

#### Extension:



Fixture With EX,EL



EX

EL

ET

**Sign Light Arm:** Please reference the Sign & Pole Mounting section in [Accessories](#) on our website.

#### Notes: