

# ZXL16-I

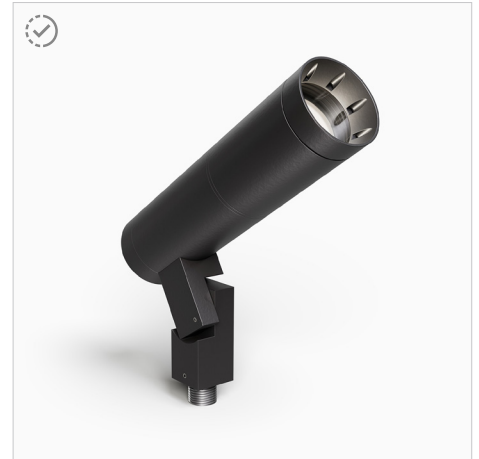
(includes former ZXL16i model)

ACCENT & LANDSCAPE | ZX16 Series | 2.25"

5 - 14W (400 - 1400LM) | 120 - 227V | HK LED, RGBW, Amber



IP67



Standard Line Voltage Accent: ZXL16I-IR1SA-ABL

## FEATURES

- Versatile round, directional 120-277V LED modern accent light for commercial and large residential environments.
- 5W, 7W, 10W, 14W integrated HK LED delivering 400-1400 lumens 2200-4000K CCT, including specialty Amber and RGBW options.
- Wet Location Listed, IP67 Standard.
- Machined from solid aircraft grade (6061-T6), corrosion-resistant aluminum, then anodized and powder coated to create a highly durable, marine grade finish.
- 180° vertical and 360° horizontal adjustment via locking swivel stem design.
- Modular components, field changeable LED optical beams, and lenses.
- Available with adjustable Angled, Long, and Short Glare Shields and ground, surface, and canopy mounting options.
- Every fixture tested end of line for water tightness and light quality.
- Readymade eligible configurations ship in 2 to 4 weeks, complete with selected accessories installed.

## SPECIFICATIONS

### Materials

Solid billet 6061-T6 corrosion resistant aluminum with 304 stainless steel hardware.

### Finish

Aluminum materials are first anodized and then powder coated for a robust, marine grade finish. Stainless steel and brass models are provided with brushed surface.

### Hood and Glare Shield

Weeping and Non-weeping Hood Styles. Set screw or threaded Angled, Short, or Long Glare Shields. (See page 4 for details).

### Voltage

120-277V AC

### Wattage

5, 7, 10 or 14W HK LED delivering 400-1400 lumens.

### Light Engine

Innovative HK LED Light module operates like a lamp and can be easily changed in the field. CRI 90 Standard. Available in CRI 80 or CRI 95 upon request. Standard CCT options are 2700K, 3000K, 3500K, 4000K. Specialty 2200K, 2400K, 2500K, Amber, and RGBW options available. Consult factory for specialty LED specification details.

### Listings

ETL Listed for Wet Location, IP67 Standard. RoHS Compliant.

### Driver/ Dimming

Onboard, Integrated LED Driver Phase Control @ 120V, 0-10V @ 120-277V, DALI or DMX control available, consult factory for details.

### Optics

Narrow (20°), Medium (33°), Wide (44°), and Extra Wide (57°) beam spread options available. Accepts up to 3 optical accessories (hexcel louver, optical lenses, dichroic color filters, etc.) Secured place with metal snap ring.

### Mounting

Mounts using 1/2"-14 NPS male fitting compatible with all HK Lighting mounting accessories. (See page 4 for details).

## ORDERING GUIDE

EXAMPLE: ZXL16I-IR1SA-ABL-120V05W-27N-GSA-LVR-MHJB-06-BRZ

MODEL	PHYSICAL OPTIONS				MATERIAL / FINISH				POWER				LIGHT			
<b>ZXL16</b>	<b>IR1</b>															
ZX16 Series 2.25" Accent Light Integrated HK LED	<b>IR1</b> Line Voltage, Round Accent Integrated Driver															
		<b>STYLE</b>	<b>HOOD</b>		<b>ABL</b> Aluminum Black				<b>VOLTAGE</b>		<b>WATTAGE</b>		<b>CCT</b>		<b>OPTICS</b>	
		<b>S</b> Standard	<b>A</b> A Style: Weeping		<b>ABR</b> Aluminum Bronze	<b>120V</b> 120V (Phase Control)	<b>05W</b> 5 Watt (400lm)		<b>22</b> 2200K	<b>N</b> Narrow (20°)						
		<b>F</b> Finned	<b>B</b> B Style: No Weep Holes		<b>AWH</b> Aluminum White	<b>UNIV</b> 120V-277V (0-10V)	<b>07W</b> 7 Watt (700lm)		<b>24</b> 2400K	<b>M</b> Medium (33°)						
			<b>C</b> C Style: Threaded, Weeping		<b>AAC</b> Aluminum Anodized Clear <sup>1</sup>		<b>10W</b> 10 Watt (1000m)		<b>25</b> 2500K	<b>W</b> Wide (44°)						
					<b>NBR</b> Natural Brass <sup>1</sup>		<b>14W</b> 14 Watt (1400lm)		<b>27</b> 2700K	<b>E</b> Extra Wide (57°)						
					<b>NCU</b> Natural Copper <sup>1</sup>		<b>SPW</b> Speciality <sup>2</sup>		<b>30</b> 3000K	<b>CC</b> Custom Optic						
					<b>NSS</b> Natural Stainless Steel <sup>1</sup>				<b>35</b> 3500K							
					<b>CCC</b> Custom Finish <sup>1</sup>				<b>40</b> 4000K							
									<b>AM</b> Amber <sup>2</sup>							
									<b>RG</b> RGBW <sup>2</sup>							

Ready-made eligible configurations ship in 2 to 4 weeks

<sup>1</sup> Consult factory for specialty finish quoting and lead times

<sup>2</sup> For Specialty AM (Amber LED) and RG (RGBW LED), select SPW (Specialty) for Wattage. Consult factory for LED technical details before Specification or Order.

## OPTIONAL INSTALLED ACCESSORIES

### GLARE SHIELD

<b>GSA</b>	A/B Glare Shield Angled
<b>GSL</b>	A/B Glare Shield Long
<b>GSS</b>	A/B Glare Shield Short
<b>CGSA</b>	C Glare Shield Angled
<b>CGSL</b>	C Glare Shield Long
<b>CGSS</b>	C Glare Shield Short

### OPTIC

<b>LVR</b>	Hexcel Louver
<b>OSL</b>	Overall Spread Lens
<b>LSL</b>	Linear Spread Lens
<b>SOL</b>	Solite Soft Focus
<b>DCF</b>	Dichroic Filter

### MOUNTING (Most common listed, see Page 4 for additional options)

<b>GROUND MOUNT</b>	
<b>MHJB-06-BRZ</b>	6" Stainless Steel 3-Prong Spike (120-277V) Bronze
<b>MHJB-12-BRZ</b>	12" Stainless Steel 3-Prong Spike (120-277V) Bronze
<b>JB-1</b>	Brass In-ground Junction Box
<b>CANOPY MOUNT</b>	
<b>CM1-XXX</b>	3.75" Square Canopy Plate
<b>CM3-XXX</b>	4.75" Square Canopy Plate
<b>CM5-XXX</b>	5" Round Canopy Plate
<b>CM5-2-XXX</b>	5" Round Canopy Plate - Double
<b>SURFACE MOUNT</b>	
<b>CB4.0-XXX</b>	4" Round Surface Box
<b>CB5.5-XXX</b>	5.5" Round Surface Box
<b>TREE MOUNT</b>	
<b>TM07-JBS-XXX</b>	Single Aluminum Tree Mount Box with Stainless Steel Strap (120V)
<b>TM07-JBT-XXX</b>	Twin Aluminum Tree Mount Box with Stainless Steel Strap (120V)
<b>EXTENSIONS</b>	
<b>EX-12-XXX</b>	12" Extension
<b>EX-24-XXX</b>	24" Extension
<b>EL-XXX</b>	Elbow Extension

• Consult Accessory Spec Sheet for desired option code.

• XXX represents color option.

• Ready-made options available in ABL and ABR only unless noted by the part code above.

## ADDITIONAL ACCESSORIES (Not installed at time of order)

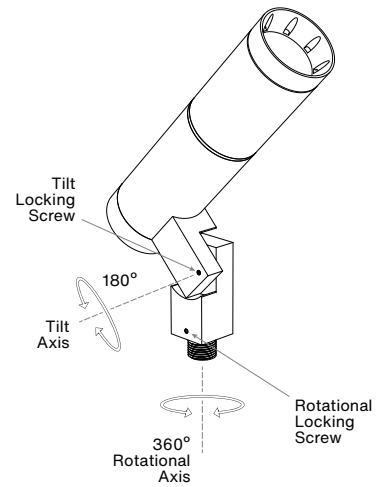
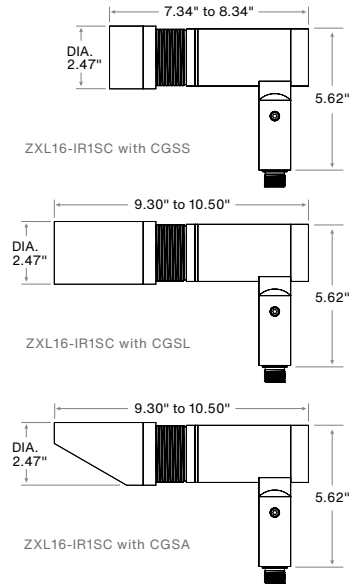
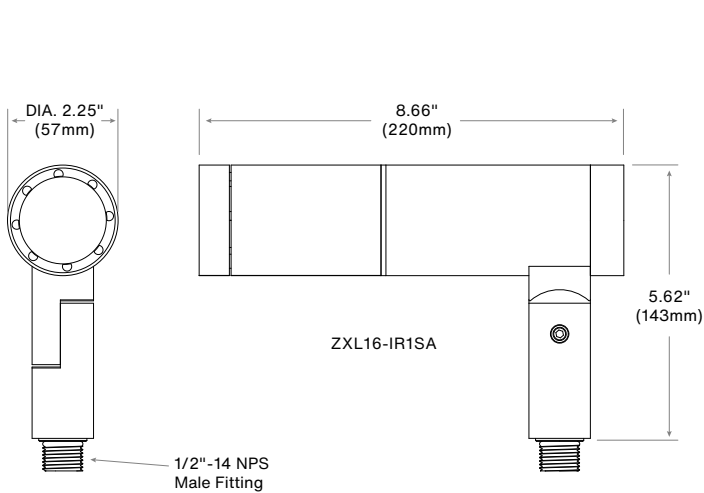
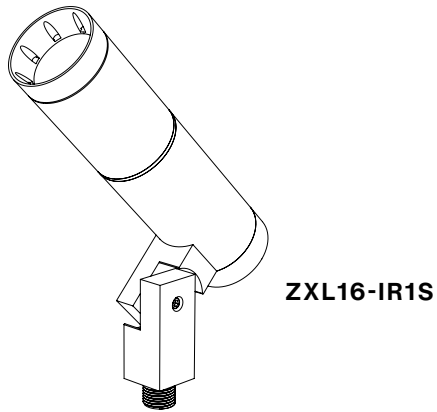
### GLARE SHIELD ACCESSORIES

<b>GSL-16-XXX</b>	A/B Glare Shield Long
<b>GSA-16-XXX</b>	A/B Glare Shield Angled
<b>GSS-16-XXX</b>	A/B Glare Shield Short
<b>CGSL-16-XXX</b>	C Glare Shield Long
<b>CGSA-16-XXX</b>	C Glare Shield Angled
<b>CGSS-16-XXX</b>	C Glare Shield Short

### OPTIC ACCESSORIES

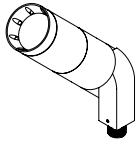
<b>LVR-16</b>	Hexcel Louver
<b>OSL-16</b>	Overall Spread Lens
<b>LSL-16</b>	Linear Spread Lens
<b>SOL-16</b>	Solite Soft Focus
<b>DCF-16</b>	Dichroic Filter
<b>OPK-16</b>	Optic Kit - Narrow, Medium, Wide, Extra Wide

**PRODUCT DRAWINGS**

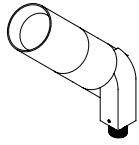


## OPTIONS & ACCESSORIES

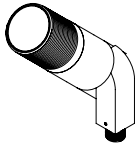
### HOOD OPTIONS



**A-HOOD**  
Versatile hood with 8 weep holes for water drainage. Regressed lens for glare control. Suggested for general use or when fixture is aimed in an up position.



**B-HOOD**  
Similar to A hood but without weep holes. Regressed lens for glare control. Used in an interior or down light application.



**C-HOOD**  
Flush hood with machined threading on the outside for attachment of C-style glare shield, cleverly designed with hidden drainage channels.

### OPTIONAL GLARE SHIELD

For use with A & B Hood, fastened with Set Screw

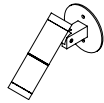


For use with C Hood fastened with Locking Ring



### MOUNTING ACCESSORIES

#### Canopy Mount:



Fixtures On CM5



CM2



CM1



CM3

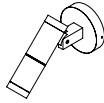


CM5



CM5-2

#### Surface Mount Box:



Fixtures On CB5.1



CB3.5



CB4.0



CB4.0-SQ



CB5.1



CB5.5



CB5.5-K/O

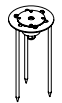
#### Ground Mount:



Fixtures On MHJB-06



MHJB-06

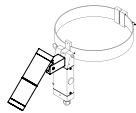


MHJB-12

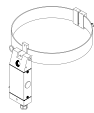


JB-1

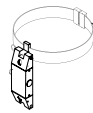
#### Tree Mount:



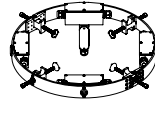
Fixtures On TM07-JBS



TM07-JBS

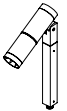


TM07-JBT



TS-SO

#### Extension:



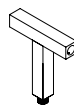
Fixtures With EX,EL



EX



EL



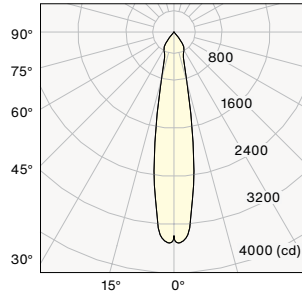
ET

**Sign Light Arm:** Please reference the Sign & Pole Mounting section in [Accessories](#) on our website.

#### Notes:

**PHOTOMETRY & ENERGY DATA**
**ZXL16I-10W-N (Narrow)**

Input Power	9.5W
Color Temperature (CCT)	3000K
Color Rendering Index (Ra)	83
Beam Angle	20.5°
Max. Candlepower	3507cd
Delivered Lumens	864lm
Efficacy	91lm/W

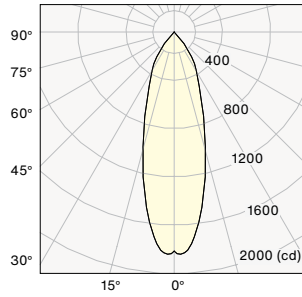
**Polar Graph - Intensity**

**Cone of Light - Illuminance**

Center Beam (fc)	Beam Diameter	Distance
877	0.7'	2.0'
219	1.4'	4.0'
97	2.2'	6.0'
55	2.9'	8.0'
35	3.6'	10.0'

1/2 Beam Angle: 20.5°

**ZXL16I-10W-M (Medium)**

Input Power	9.5W
Color Temperature (CCT)	3000K
Color Rendering Index (Ra)	83
Beam Angle	32.5°
Max. Candlepower	1842cd
Delivered Lumens	863lm
Efficacy	91lm/W

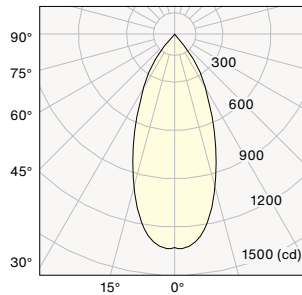
**Polar Graph - Intensity**

**Cone of Light - Illuminance**

Center Beam (fc)	Beam Diameter	Distance
460	1.2'	2.0'
115	2.3'	4.0'
51	3.5'	6.0'
29	4.6'	8.0'
18	5.8'	10.0'

1/2 Beam Angle: 32.5°

**ZXL16I-10W-W (Wide)**

Input Power	9.5W
Color Temperature (CCT)	3000K
Color Rendering Index (Ra)	83
Beam Angle	44.1°
Max. Candlepower	1332cd
Delivered Lumens	850lm
Efficacy	89lm/W

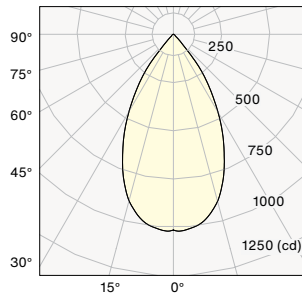
**Polar Graph - Intensity**

**Cone of Light - Illuminance**

Center Beam (fc)	Beam Diameter	Distance
333	1.6'	2.0'
83	3.2'	4.0'
37	4.9'	6.0'
21	6.5'	8.0'
13	8.1'	10.0'

1/2 Beam Angle: 44.1°

**ZXL16I-10W-E (Extra Wide)**

Input Power	9.5W
Color Temperature (CCT)	3000K
Color Rendering Index (Ra)	83
Beam Angle	56.9°
Max. Candlepower	1019cd
Delivered Lumens	876lm
Efficacy	92lm/W

**Polar Graph - Intensity**

**Cone of Light - Illuminance**

Center Beam (fc)	Beam Diameter	Distance
255	2.3'	2.0'
64	4.6'	4.0'
28	6.9'	6.0'
16	9.2'	8.0'
10	11.5'	10.0'

1/2 Beam Angle: 56.9°

**WATTAGE MULTIPLIER**

Wattage	Multiplier
5 Watt	0.45
7 Watt	0.80
10 Watt	1.14
14 Watt	1.56
AMBER 10W	0.73

**CCT MULTIPLIER**

Color Temp.	Multiplier
2700k	0.97
3000k	1.00
4000k	1.05