

ZXL20-I FIT

(includes former ZXL20i-FIT model)

ACCENT & LANDSCAPE | ZX20 Series | 3.88"

31W (3100lm) | 120V - 277V | HK LED



IP67



Standard Line Voltage Accent: ZXL20-IF1SF-AAC

FEATURES

- Powerful and cost-effective, directional 120V - 277V LED modern accent light for commercial environments.
- 31W integrated HK LED delivering 3100 lumens 2700-4000K CCT.
- Wet Location Listed, IP67 Standard.
- Machined from solid aircraft grade (6061-T6), corrosion-resistant aluminum, then anodized and powder coated to create a highly durable, marine grade finish.
- 180° vertical and 360° horizontal adjustment via locking swivel stem design.
- Modular components, field changeable LED optical beams, and lenses.
- Available with adjustable Angled, Long, and Short Glare Shields and ground, surface, and canopy mounting options.
- Every fixture tested end of line for water tightness and light quality.
- Ships complete with selected accessories installed.

SPECIFICATIONS

Materials

Solid billet 6061-T6 corrosion resistant aluminum with 304 stainless steel hardware.

Finish

Aluminum materials are first anodized and then powder coated for a robust, marine grade finish. Stainless steel and brass models are provided with brushed surface.

Hood and Glare Shield

Oversized FIT Style Hood with included Angled or Long Glare Shield.

Voltage

120V - 277V AC

Wattage

31W HK LED delivering 3100 lumens.

Light Engine

Innovative HK LED Light module operates like a lamp and can be easily changed in the field. CRI 90 Standard. Available in CRI 80 or CRI 95 upon request. Standard CCT options are 2700K, 3000K, 3500K, 4000K.

Driver/Dimming

Onboard, Integrated LED Driver, Phase Control @120V, 0V-10V @120V-277V.

Optics

Narrow (16°), Medium (26°), Wide (60°) beam spread options available. Accepts up to 3 optical accessories (hexcel louver, optical lenses, dichroic color filters, etc.) Secured place with metal snap ring.

Mounting

Mounts using 1/2"-14 NPS male fitting compatible with all HK Lighting Group mounting devices.

Listings

ETL Listed for Wet Location, IP67 Standard. RoHS Compliant.

ORDERING GUIDE

EXAMPLE: ZXL20-IF1SF-ABL-120V31W-27N-GSA-LVR-MHJB-06-BRZ

MODEL	PHYSICAL OPTIONS			MATERIAL / FINISH		POWER		LIGHT	
ZXL20 ZX20 Series 2.25" Accent Light Integrated HK LED	IF1	S	F			31W			
	TYPE	STYLE	HOOD	ABL Aluminum Black	VOLTAGE	WATTAGE		CCT	OPTICS
	IF1 Line Voltage, FIT Accent Integrated Driver	S Standard	F F Style: Weeping FIT Cooling Hood	ABR Aluminum Bronze	120V 120V (Phase Control)	31W 31 Watts (3100lm)		27 2700K	N Narrow (16°)
				AWH Aluminum White	UNIV 120V-277V (0V-10V)			30 3000K	M Medium (26°)
				AAC Aluminum Anodized Clear ¹				35 3500K	W Wide (60°)
				CCC Custom Finish ¹				40 4000K	CC Custom Optic

¹ Consult factory for specialty finish quoting and lead times

OPTIONAL INSTALLED ACCESSORIES

GLARE SHIELD	OPTIC	MOUNTING (Most common listed, see Page 4 for additional options)
GSA Glare Shield Angled GSL Glare Shield Long	LVR Hexcel Louver OSL Overall Spread Lens LSL Linear Spread Lens SOL Solite Soft Focus DCF Dichroic Filter	GROUND MOUNT MHJB-06-BRZ 6" Stainless Steel 3-Prong Spike (120-277V) Bronze MHJB-12-BRZ 12" Stainless Steel 3-Prong Spike (120-277V) Bronze JB-1 Brass In-ground Junction Box CANOPY MOUNT CM1-XXX 3.75" Square Canopy Plate CM3-XXX 4.75" Square Canopy Plate CM5-XXX 5" Round Canopy Plate CM5-2-XXX 5" Round Canopy Plate - Double SURFACE MOUNT CB4.0-XXX 4" Round Surface Box CB5.5-XXX 5.5" Round Surface Box TREE MOUNT TM07-JBS-XXX Single Aluminum Tree Mount Box with Stainless Steel Strap (120V) TM07-JBT-XXX Twin Aluminum Tree Mount Box with Stainless Steel Strap (120V) EXTENSIONS EX-12-XXX 12" Extension EX-24-XXX 24" Extension EL-XXX Elbow Extension

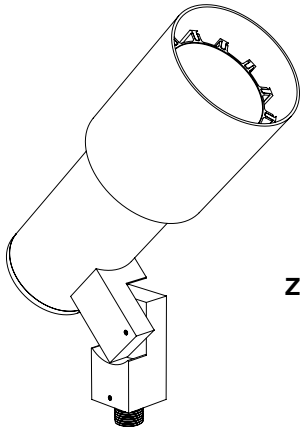
- Consult Accessory Spec Sheet for desired option code.
- XXX represents color option.

ADDITIONAL ACCESSORIES (Not installed at time of order)

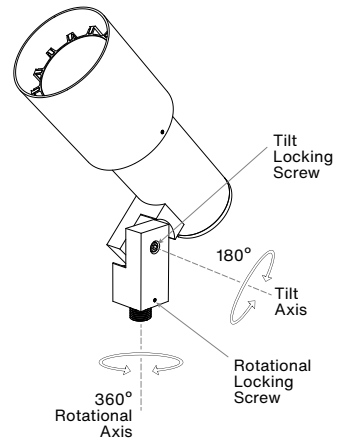
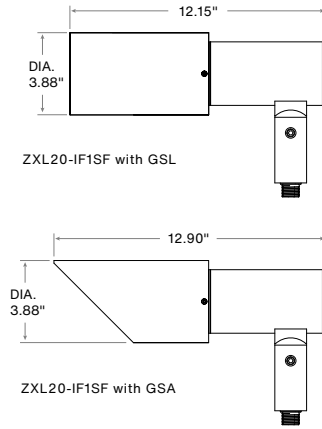
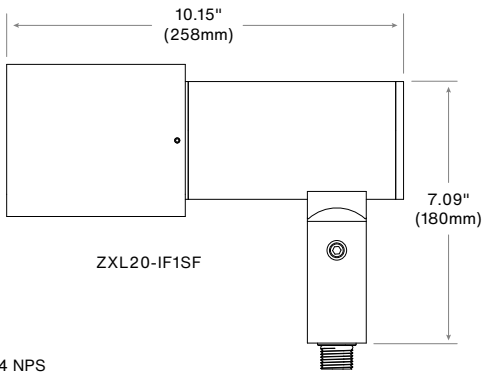
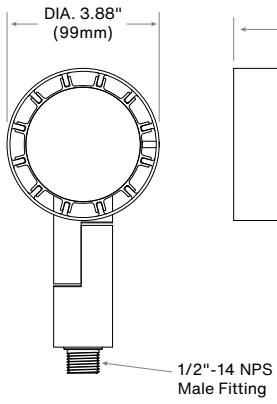
OPTIC ACCESSORIES

LVR-20	Hexcel Louver
OSL-20	Overall Spread Lens
LSL-20	Linear Spread Lens
SOL-20	Solite Soft Focus
DCF-20	Dichroic Filter
OPK-20	Optic Kit - Narrow, Medium, Wide

PRODUCT DRAWINGS



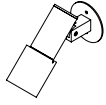
ZXL20-IF1SF



OPTIONS & ACCESSORIES

MOUNTING ACCESSORIES

Canopy Mount:



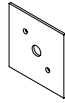
Fixture On CM5



CM2



CM1



CM3

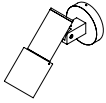


CM5



CM5-2

Surface Mount Box:



Fixture On CB5.1



CB3.5



CB4.0



CB4.0-SQ



CB5.1



CB5.5



CB5.5-K/O

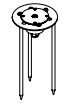
Ground Mount:



Fixture On MHJB-06



MHJB-06

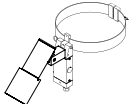


MHJB-12

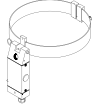


JB-1

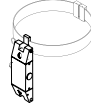
Tree Mount:



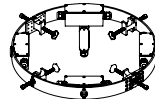
Fixture On TM07-JBS



TM07-JBS



TM07-JBT



TS-SO

Extension:



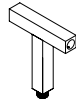
Fixture With EX



EX



EL



ET

Sign Light Arm: Please reference the Sign & Pole Mounting section in [Accessories](#) on our website.

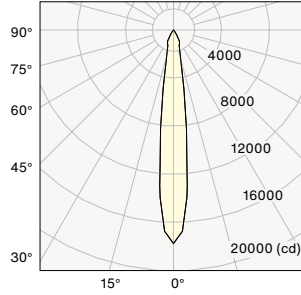
Notes:

PHOTOMETRY & ENERGY DATA

ZXL20-I FIT (Narrow)

Input Power	28.2W
Color Temperature (CCT)	3000K
Color Rendering Index (Ra)	83
Beam Angle	16.1°
Max. Candlepower	17751cd
Delivered Lumens	2652lm
Efficacy	94lm/W

Polar Graph - Intensity



Cone of Light - Illuminance

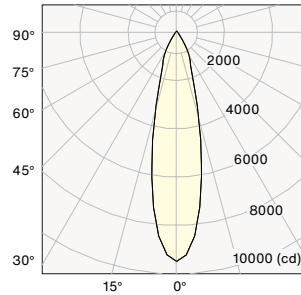
Center Beam (fc)	Beam Diameter	Distance
4438	0.6'	2.0'
1109	1.1'	4.0'
493	1.7'	6.0'
277	2.3'	8.0'
178	2.8'	10.0'

1/2 Beam Angle: 16.1°

ZXL20-I FIT (Medium)

Input Power	28.0W
Color Temperature (CCT)	3000K
Color Rendering Index (Ra)	83
Beam Angle	25.5°
Max. Candlepower	9513cd
Delivered Lumens	2702lm
Efficacy	97lm/W

Polar Graph - Intensity



Cone of Light - Illuminance

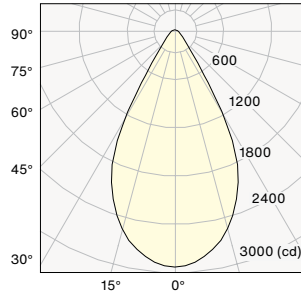
Center Beam (fc)	Beam Diameter	Distance
2378	0.9'	2.0'
595	1.8'	4.0'
264	2.7'	6.0'
149	3.6'	8.0'
95	4.5'	10.0'

1/2 Beam Angle: 25.5°

ZXL20-I FIT (Wide)

Input Power	29.0W
Color Temperature (CCT)	3000K
Color Rendering Index (Ra)	83
Beam Angle	60.1°
Max. Candlepower	2926cd
Delivered Lumens	2667lm
Efficacy	92lm/W

Polar Graph - Intensity



Cone of Light - Illuminance

Center Beam (fc)	Beam Diameter	Distance
731	2.3'	2.0'
183	4.6'	4.0'
81	6.9'	6.0'
46	9.3'	8.0'
29	11.6'	10.0'

1/2 Beam Angle: 60.1°

WATTAGE MULTIPLIER

Type	Wattage	Multiplier
X17	17 Watt	0.51
X28	28 Watt	0.77
N21	21 Watt	0.71
N28	28 Watt	1.00
N31	31 Watt	1.14
TW20	20 Watt	consult factory

CCT MULTIPLIER

Color Temp.	Multiplier
2700k	0.97
3000k	1.00
4000k	1.05