

ZXL30-I

(includes former ZXL30i model)

ACCENT & LANDSCAPE | ZX30 Series | 4.25"
38W (3800lm) | 120V - 277V | HK LED, RGBW, Amber

**IP67**

Finned Line Voltage Round Accent: ZXL30-IR1FA-AAC

FEATURES

- Powerful round, directional 120V - 277V LED modern accent light for commercial environments.
- 38W integrated HK LED delivering 3800 lumens.
- Wet Location Listed, IP67 Standard.
- Machined from solid aircraft grade (6061-T6), corrosion-resistant aluminum, then anodized and powder coated to create a highly durable, marine grade finish.
- 180° vertical and 360° horizontal adjustment via locking swivel stem design.
- Modular components, field changeable LED optical beams, and lenses.
- Available with adjustable Angled, Long, and Short Glare Shields and ground, surface, and canopy mounting options.
- Every fixture tested end of line for water tightness and light quality.
- Ships complete with selected accessories installed.

SPECIFICATIONS

Materials

Solid billet 6061-T6 corrosion resistant aluminum with 304 stainless steel hardware.

Finish

Aluminum materials are first anodized and then powder coated for a robust, marine grade finish. Stainless steel and brass models are provided with brushed surface.

Hood and Glare Shield

Weeping and Non-weeping Hood Styles. Set screw or threaded Angled, Short, or Long Glare Shields. (See page 4 for details).

Voltage

120V - 277V AC.

Wattage

38W HK LED delivering 3800 lumens.

Light Engine

Innovative HK LED Light module operates like a lamp and can be easily changed in the field. CRI 90 Standard. Available in CRI 80 or CRI 95 upon request. Standard CCT options are 2700K, 3000K, 3500K, 4000K. Specialty 2200K, 2400K, 2500K, Amber, and RGBW options available. Consult factory for specialty LED specification details.

Dimming

Onboard, Integrated LED Driver, Phase Control @ 120V, 0V-10V @ 120V-277V, DALI or DMX control available, consult factory for details.

Optics

Narrow (20°), Medium (30°), Wide (38°) beam spread options available. Accepts up to 3 optical accessories (hexcel louver, optical lenses, dichroic color filters, etc.) Secured place with metal snap ring.

Mounting

Mounts using 1/2"-14 NPS male fitting compatible with all HK Lighting Group mounting devices. (See page 4 for details).

Listings

ETL Listed for Wet Location, IP67 Standard. RoHS Compliant.

ORDERING GUIDE

EXAMPLE: ZXL30-IR1FA-AAC-120V38W-27N-GSA-LVR-MHJB-06-BRZ

MODEL	PHYSICAL OPTIONS			MATERIAL / FINISH			POWER		LIGHT		
ZXL30	IR1										
ZX30 Series 4.25" Accent Light Integrated HK LED	IR1 Line Voltage, Single Accent Integrated Driver			ABL Aluminum Black	ABR Aluminum Bronze	AWH Aluminum White	AAC Aluminum Anodized Clear ¹	NBR Natural Brass ¹	NCU Natural Copper ¹	NSS Natural Stainless Steel ¹	CCC Custom Finish ¹
		STYLE	HOOD					VOLTAGE	WATTAGE	CCT	OPTICS
		S Standard	A A Style: Weeping					120V 120V (Phase Control)	21W 21 Watt (2000lm)	22 2200K	N Narrow (20°)
		F Finned	B B Style: No Weep Holes					UNIV 120V-277V (0V-10V)	38W 38 Watt (3700lm)	24 2400K	M Medium (30°)
			C C Style: Threaded, Weeping						SPW Speciality ²	25 2500K	W Wide (38°)
										27 2700K	CC Custom Optic
										30 3000K	
										35 3500K	
										40 4000K	
										AM Amber ²	
										RG RGBW ²	

¹ Consult factory for specialty finish quoting and lead times

² For Specialty AM (Amber LED) and RG (RGBW LED), select SPW (Specialty) for Wattage. Consult factory for LED technical details before Specification or Order.

OPTIONAL INSTALLED ACCESSORIES

GLARE SHIELD		OPTIC		MOUNTING (Most common listed, see Page 4 for additional options)	
GSA A/B Glare Shield Angled		LVR Hexcel Louver		GROUND MOUNT	
GSL A/B Glare Shield Long		OSL Overall Spread Lens		MHJB-06-BRZ 6" Stainless Steel 3-Prong Spike (120-277V) Bronze	
GSS A/B Glare Shield Short		LSL Linear Spread Lens		MHJB-12-BRZ 12" Stainless Steel 3-Prong Spike (120-277V) Bronze	
CGSA C Glare Shield Angled		SOL Solite Soft Focus		JB-1 Brass In-ground Junction Box	
CGSL C Glare Shield Long		DCF Dichroic Filter		CANOPY MOUNT	
CGSS C Glare Shield Short				CM1-XXX 3.75" Square Canopy Plate	
				CM3-XXX 4.75" Square Canopy Plate	
				CM5-XXX 5" Round Canopy Plate	
				CM5-2-XXX 5" Round Canopy Plate - Double	
				SURFACE MOUNT	
				CB4.0-XXX 4" Round Surface Box	
				CB5.5-XXX 5.5" Round Surface Box	
				TREE MOUNT	
				TM07-JBS-XXX Single Aluminum Tree Mount Box with Stainless Steel Strap (120V)	
				TM07-JBT-XXX Twin Aluminum Tree Mount Box with Stainless Steel Strap (120V)	
				EXTENSIONS	
				EX-12-XXX 12" Extension	
				EX-24-XXX 24" Extension	
				EL-XXX Elbow Extension	

- Consult Accessory Spec Sheet for desired option code.
- XXX represents color option.

ADDITIONAL ACCESSORIES (Not installed at time of order)

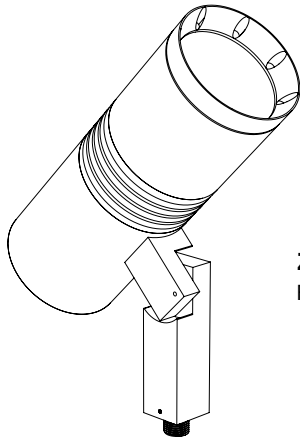
GLARE SHIELD ACCESSORIES

GSL-30-XXX	A/B Glare Shield Long
GSA-30-XXX	A/B Glare Shield Angled
GSS-30-XXX	A/B Glare Shield Short
CGSL-30-XXX	C Glare Shield Long
CGSA-30-XXX	C Glare Shield Angled
CGSS-30-XXX	C Glare Shield Short

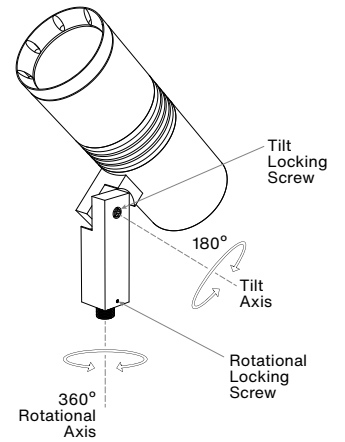
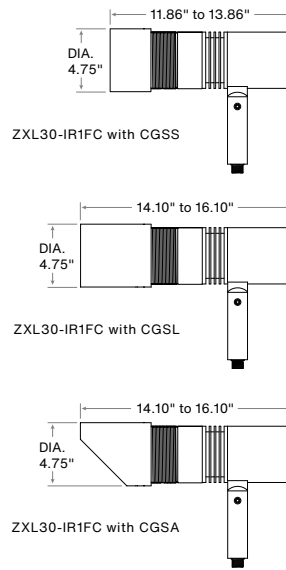
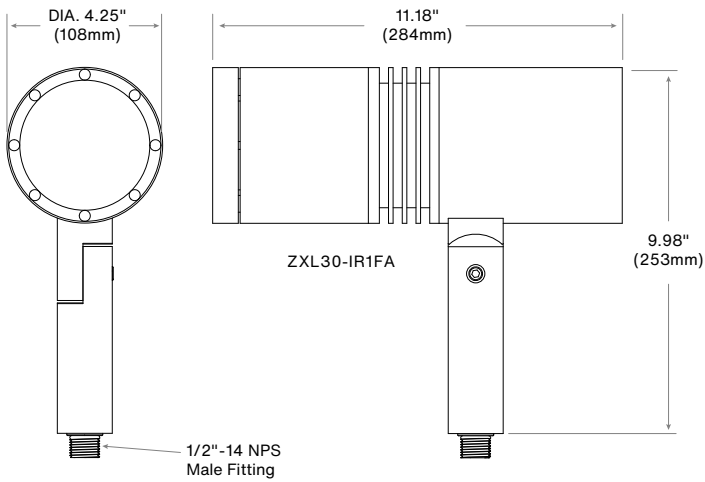
OPTIC ACCESSORIES

LVR-30	Hexcel Louver
OSL-30	Overall Spread Lens
LSL-30	Linear Spread Lens
SOL-30	Solite Soft Focus
DCF-30	Dichroic Filter
OPK-30	Optic Kit - Narrow, Medium, Wide

PRODUCT DRAWINGS

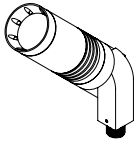


ZXL30-IR1FA
Finned



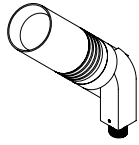
OPTIONS & ACCESSORIES

HOOD OPTIONS



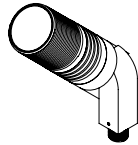
A HOOD

Versatile hood with 8 weep holes for water drainage. Regressed lens for glare control. Suggested for general use or when fixture is aimed in an up position.



B HOOD

Similar to A hood but without weep holes. Regressed lens for glare control. Suggested for downlighting and interior applications.



C HOOD

Designed for permanent use with a glare shield and innovative drainage design for water and debris. The machined threads enable ongoing glare shield adjustment, without impact to the paint surface.

OPTIONAL GLARE SHIELD

For use with A & B Hood, fastened with Set Screw



GSA (angle)



GSL (long)



GSS (short)



For use with C Hood fastened with Locking Ring



CGSA (angle)



CGSL (long)

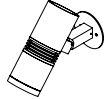


CGSS (short)



MOUNTING ACCESSORIES

Canopy Plate:



Fixture On CM5



CM2



CM1



CM3

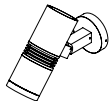


CM5



CM5-2

Surface Mount Box:



Fixture On CB5.1



CB3.5



CB4.0



CB4.0-SQ



CB5.1



CB5.5



CB5.5-K/O

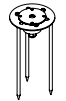
Ground Mount:



Fixture On MHJB-06



MHJB-06

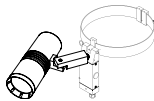


MHJB-12

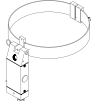


JB-1

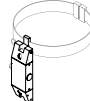
Tree Mount:



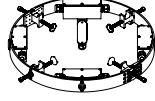
Fixture On TM07-JBS



TM07-JBS

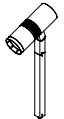


TM07-JBT



TS-SO

Extension:



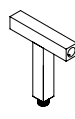
Fixture With EX



EX



EL



ET

Sign Light Arm: Please reference the Sign & Pole Mounting section in [Accessories](#) on our website.

Notes: