

ZXL38-I

(includes former ZXL38i model)

ACCENT & LANDSCAPE | ZX38 Series | 5.32"

54W (5000lm) | 120 - 227V | HK LED, RGBW, Amber



Finned Line Voltage Round Accent: ZXL38-IR1FA-ABR

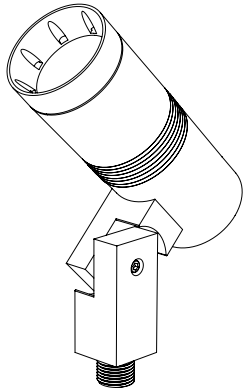
FEATURES

- Our most powerful round, directional 120-277V LED modern accent light for commercial environments.
- 54W integrated HK LED delivering 5000 lumens.
- Wet Location Listed, IP67 Standard.
- Machined from solid aircraft grade (6061-T6), corrosion-resistant aluminum, then anodized and powder coated to create a highly durable, marine grade finish.
- 180° vertical and 360° horizontal adjustment via locking swivel stem design.
- Modular components, field changeable LED optical beams, and lenses.
- Available with adjustable Angled, Long, and Short Glare Shields and ground, surface, and canopy mounting options.
- Every fixture tested end of line for water tightness and light quality.
- Ships complete with selected accessories installed.

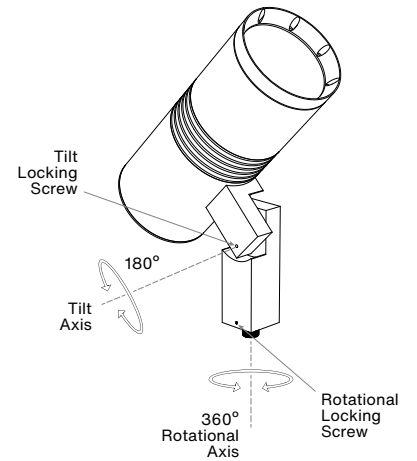
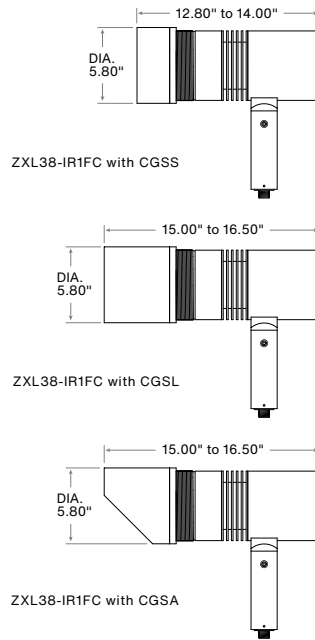
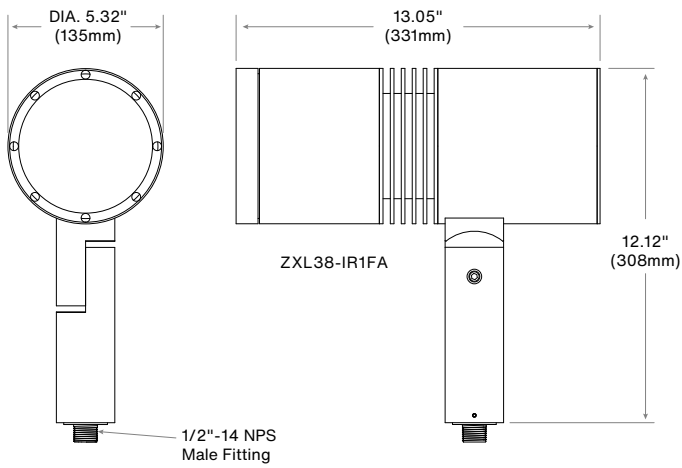
SPECIFICATIONS

<p>Materials Solid billet 6061-T6 corrosion resistant aluminum with 304 stainless steel hardware.</p> <p>Finish Aluminum materials are first anodized and then powder coated for a robust, marine grade finish. Stainless steel and brass models are provided with brushed surface.</p> <p>Hood and Glare Shield Weeping and Non-weeping Hood Styles. Set screw or threaded Angled, Short, or Long Glare Shields. (See page 4 for details).</p>	<p>Voltage 120-277V AC</p> <p>Wattage 54W HK LED delivering 5000 lumens.</p> <p>Light Engine Innovative HK LED Light module operates like a lamp and can be easily changed in the field. CRI 90 Standard. Available in CRI 80 or CRI 95 upon request. Standard CCT options are 2700K, 3000K, 3500K, 4000K. Specialty 2200K, 2400K, 2500K, Amber, and RGBW options available. Consult factory for specialty LED specification details.</p> <p>Listings ETL Listed for Wet Location, IP67 Standard. RoHS Compliant.</p>	<p>Dimming Onboard, Integrated LED Driver , Phase Control @ 120V, 0-10V @ 120-277V, DALI or DMX control available, consult factory for details.</p> <p>Optics Narrow (15°), Medium (24°), Wide (36°) beam spread options available. Accepts up to 3 optical accessories (hexcel louver, optical lenses, dichroic color filters, etc.) Secured place with metal snap ring.</p> <p>Mounting Mounts using 1/2"-14 NPS male fitting compatible with all HK Lighting Group mounting devices. (See page 4 for details).</p>
--	---	--

PRODUCT DRAWINGS

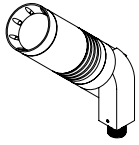


ZXL38-IR1FA
Finned

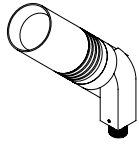


OPTIONS & ACCESSORIES

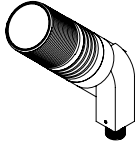
HOOD OPTIONS



A-HOOD
Versatile hood with 8 weep holes for water drainage. Regressed lens for glare control. Suggested for general use or when fixture is aimed in an up position.



B-HOOD
Similar to A hood but without weep holes. Regressed lens for glare control. Used in an interior or down light application.



C-HOOD
Flush hood with machined threading on the outside for attachment of C-style glare shield, cleverly designed with hidden drainage channels.

OPTIONAL GLARE SHIELD

For use with A & B Hood, fastened with Set Screw



GSA (angle)



GSL (long)



GSS (short)



For use with C Hood fastened with Locking Ring



CGSA (angle)



CGSL (long)

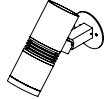


CGSS (short)



MOUNTING ACCESSORIES

Canopy Mount:



Fixture On CM5



CM2



CM1



CM3

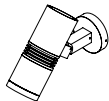


CM5



CM5-2

Surface Mount Box:



Fixture On CB5.1



CB3.5



CB4.0



CB4.0-SQ



CB5.1



CB5.5



CB5.5-K/O

Ground Mount:



Fixture On MHJB-06



MHJB-06

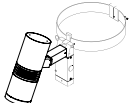


MHJB-12

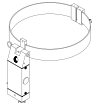


JB-1

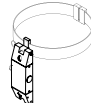
Tree Mount:



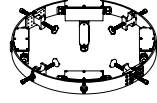
Fixture On TM07-JBS



TM07-JBS

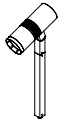


TM07-JBT



TS-SO

Extension:



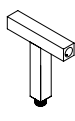
Fixture With EX, EL



EX



EL



ET

Sign Light Arm: Please reference the Sign & Pole Mounting section in [Accessories](#) on our website.

Notes:

