

### ZXL08-IP

LED Image Projector . ZX08 Series



**Materials:** Machined aluminum(6061-T6)  
Stainless steel(SS304)hardware.

**Fitting:** 1/2" -14 NPS male thread.

**Input Voltage:** 12V AC/DC

**Wattage:** 3W max.

**Light Source:** HK LED module.

**Dimming:** MLV / ELV.

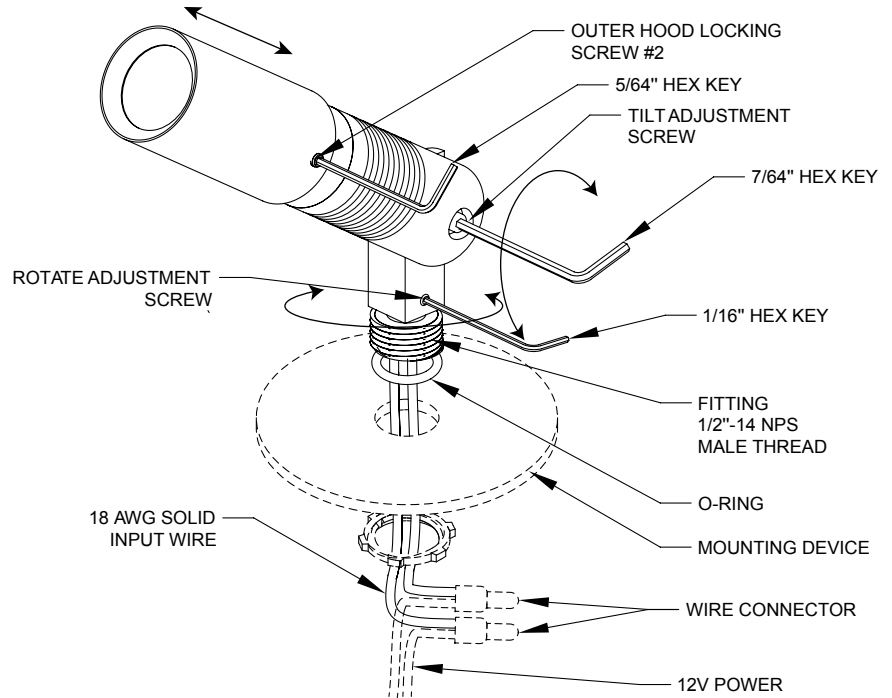
### Installation and Adjustment



**TURN OFF POWER BEFORE AND DURING WIRING TO POWER SUPPLY**

Installation/Service must be done by a qualified electrician, and compliant with NEC and Local Codes.

1. Secure the fixture fitting to the 1/2"-14 NPS female thread on mounting device (plate, box, spike, etc.).
2. Connect 18AWG solid input wires to the 12V power source using appropriate wire connectors.
3. Secure the mounting device with the fixture to mounting surface. For HK original mounting accessory, see the individual instruction for further detail of the installation.
4. To adjust tilting position of fixture, loosen tilt adjustment screw with 7/64" hex key, aim the fixture body and tighten the screw to secure the fixture in place. Do not tighten more than necessary.
5. To adjust rotating position of the fixture, loosen rotation adjustment screw with 1/16" hex key, aim the fixture stem and tighten the screw to secure the fixture in place. Do not tighten more than necessary.
6. Loosen outer hood locking screw #2 slightly, pull or push outer hood to focus image. Tighten hood locking screw #2.

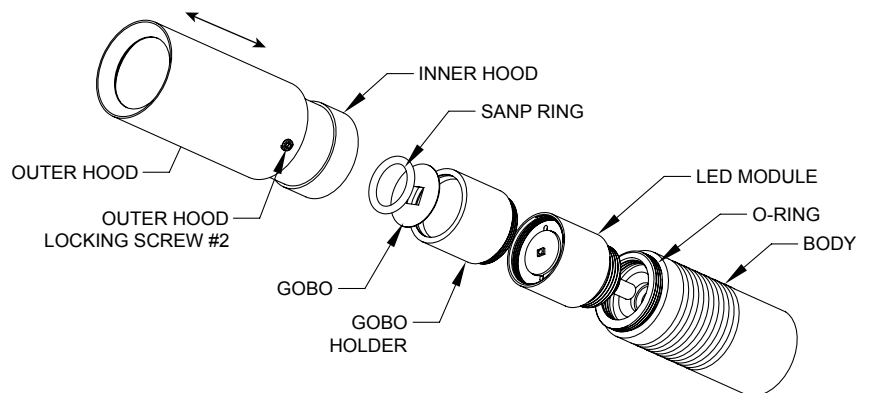


### Lamp Replacement



**TURN OFF POWER AND KEEP FIXTURE COOL DURING MAINTENANCE SERVICE**

1. Rotate inner hood counter-clockwise to remove it from fixture body, and access the LED module and Gobo holder assembly.
2. Rotate the LED module and Gobo holder assembly counter-clockwise to remove it from the body.
3. Remove the Gobo holder from the LED module.
4. Replace LED module as necessary and install the Gobo holder back onto the LED module.
5. Replace the fixture hood onto the fixture body. Make sure the O-ring is in the proper groove on the fixture body, to form a watertight seal.

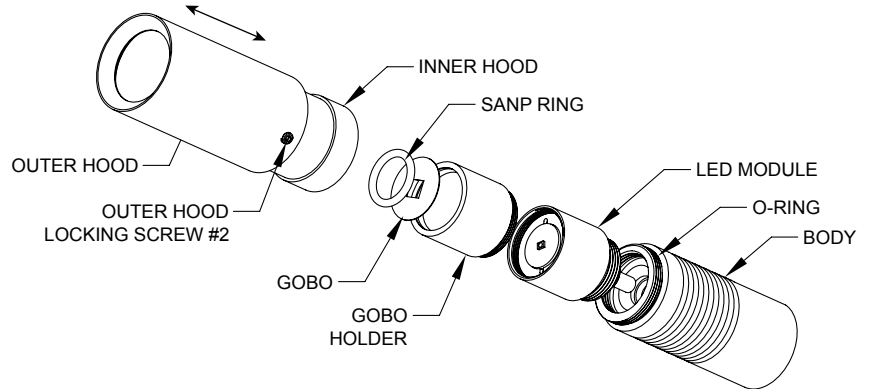


## Replace Gobo And Colorizer



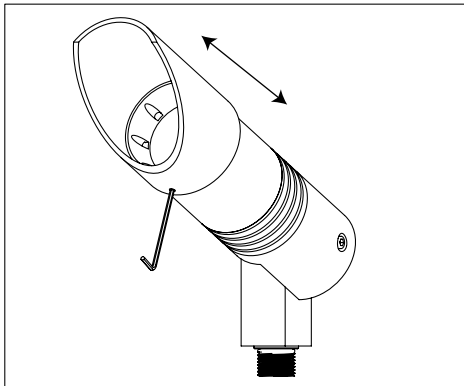
**TURN OFF POWER AND KEEP FIXTURE COOL DURING MAINTENANCE SERVICE**

1. Rotate inner hood counter-clockwise to remove it from fixture body, and access the LED module and Gobo holder assembly.
2. Rotate the LED module and Gobo holder assembly counter-clockwise to remove it from the body.
3. Insert Gobo and Colorizer into the Gobo Holder from the front side, and set the Snap Ring to hold the Gobo and Colorizer firmly onto the partition inside the Gobo Holder.
4. Replace the fixture hood onto the fixture body. Make sure the O-ring is in the proper groove on the fixture body, to form a watertight seal.



## For Glare Shield Adjustment

### Glare Shield Setting For A & B Hood



1. Use the 5/64" hex key to loosen the screw (8-32UNC set screw) on the bottom of the glare shield. Move the glare shield to the desired position, and tighten the screw (⚠ do not overtighten).