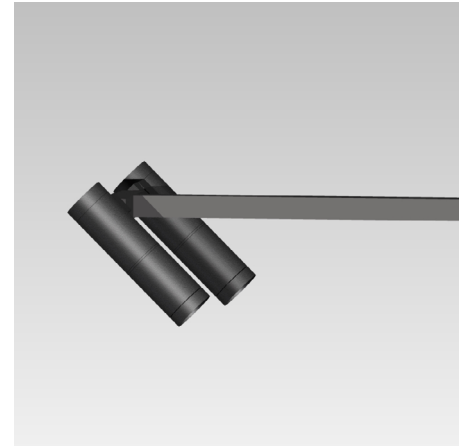


SIGN-2-16Li

LED Sign Light . 16 Series



Product Features

- Twin-head (5~ 10W)x2 LED modular sign light.
- ETL outdoor wet location listed. IP67 standard.
- Utilize adjustable accent fixture head with directional light.
- Accommodates different beam spread reflectors and optic accessories.
- Modular components - field changeable LED module & beam spread reflectors.
- Line voltage input with integral step down transformer in fixture housing.

Specification

Materials: Machined from billet 6061-T6 corrosion resistant aluminum with 304 stainless steel hardware. Available in 304/316 stainless steel or 360 brass upon request.

Hood and Glare Shield: 3 available hood options to suit any application. 3 optional glare shields (short, long, angled) to complement each hood choice. See page 3 for details.

Wattage: (5, 7 or 10W)x2 HK LED.

Voltage: 120, 230 or 277V AC.

Light Source: CRI 83. Available in CRI95 upon request. The chromaticity range is within a 3-step McAdam Ellipse. Standard CCT options are 2700K, 3000K, 4000K.

Lamp Base/Socket: Innovative cone-shaped lamp base and receptacle socket maximize the surface contact area to dissipate heat more effectively. See "Resources" for details.

Dimmability: 0-10V dimming, phase dimming @120V.

Finish: Polyester powder coat on all aluminum materials with RoHS compliant procedures. Anodized finish is available. Stainless steel and brass models are provided with brushed surface.

Optical Accessories: Accepts up to 3 accessories (hexcel louver, optical lenses, dichroic color filters, etc.). Secured in place with metal snap ring.

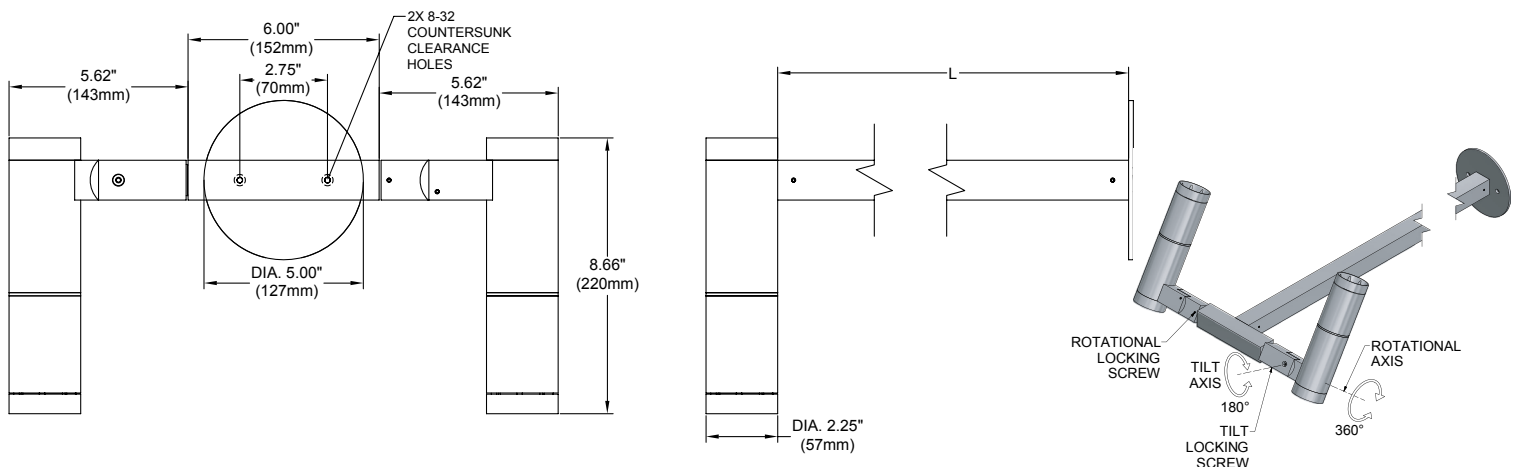
Ordering Guide

EXAMPLE: SIGN-2-16Li - A - GSL - 120V - 10 - 27 - 20 - PH - BK - LVR - 12" - CM5

SERIES	MATERIAL	HOOD	OPTIONAL GLARE SHIELD	VOLTAGE	WATTAGE	CCT	OPTICS	OPTIONAL DIMMING	FINISH	OPTIONAL SELECT UP TO 3 OPTIC ACCESSORIES	EXTENSION SIZE(L)
SIGN-2-16Li	-	-	-	-	-	-	-	-	-	-	-
	BLANK Aluminum(Standard)	A A-HOOD	GSL	120V	5 5W X2	27 2700K	20 20°	PH Phase dimming @120V only	Standard	LVR Hexcel Louver	12"
	NBR Natural Brass	B B-HOOD	GSA	230V	7 7W X2	30 3000K	33 33°		BK Black Powder Coat	OSL Overall Spread Lens	24"
	NSS Natural Stainless Steel		GSS	277V	10 10W X2	40 4000K	44 44°	010 0-10V dimming	BZ Bronze Powder Coat	LSL Linear Spread Lens	30"
	CU Natural Copper	C C-HOOD	CGSL				57 57°		WT White Powder Coat	SOL Solite Soft Focus	
			CGSA						Premium	DF Dichroic Filter	
			CGSS						ABK Anodized Black		
									ACL Anodized Clear		
									CC Custom Powder Coat		

Product Drawings

NOTE: Specification and dimensions subject to change without notice.

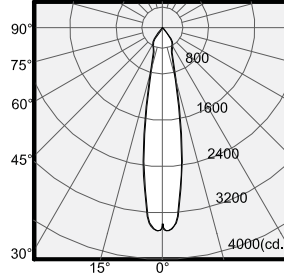


Photometry & Energy Data

MODEL **SIGN-1-16Li-10W-N**

Input Power	9.5W
Color Temperature (CCT)	3000K
Color Rendering Index (Ra)	83
Beam Angle	20.5°
Max. Candelpower	3507cd
Delivered Lumens	864lm
Efficacy	91lm/W

Polar Graph - Intensity



Cone of Light - Illuminance

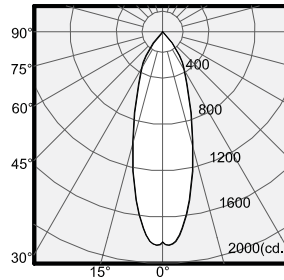
Center Beam (fc)	Beam Diameter	Distance
877	0.7'	2.0'
219	1.4'	4.0'
97	2.2'	6.0'
55	2.9'	8.0'
35	3.6'	10.0'

1/2 Beam Angle: 20.5°

MODEL **SIGN-1-16Li-10W-M**

Input Power	9.5W
Color Temperature (CCT)	3000K
Color Rendering Index (Ra)	83
Beam Angle	32.5°
Max. Candelpower	1842cd
Delivered Lumen	863lm
Efficacy	91lm/W

Polar Graph - Intensity



Cone of Light - Illuminance

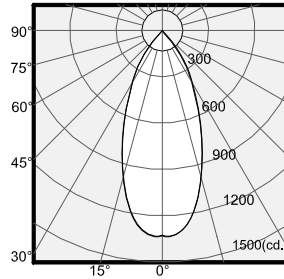
Center Beam (fc)	Beam Diameter	Distance
460	1.2'	2.0'
115	2.3'	4.0'
51	3.5'	6.0'
29	4.6'	8.0'
18	5.8'	10.0'

1/2 Beam Angle: 32.5°

MODEL **SIGN-1-16Li-10W-W**

Input Power	9.5W
Color Temperature (CCT)	3000K
Color Rendering Index (Ra)	83
Beam Angle	44.1°
Max. Candelpower	1332cd
Delivered Lumen	850lm
Efficacy	89lm/W

Polar Graph - Intensity



Cone of Light - Illuminance

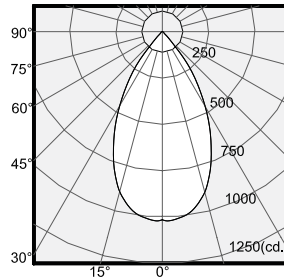
Center Beam (fc)	Beam Diameter	Distance
333	1.6'	2.0'
83	3.2'	4.0'
37	4.9'	6.0'
21	6.5'	8.0'
13	8.1'	10.0'

1/2 Beam Angle: 44.1°

MODEL **SIGN-1-16Li-10W-VW**

Input Power	9.5W
Color Temperature (CCT)	3000K
Color Rendering Index (Ra)	83
Beam Angle	56.9°
Max. Candelpower	1019cd
Delivered Lumen	876lm
Efficacy	92lm/W

Polar Graph - Intensity



Cone of Light - Illuminance

Center Beam (fc)	Beam Diameter	Distance
255	2.3'	2.0'
64	4.6'	4.0'
28	6.9'	6.0'
16	9.2'	8.0'
10	11.5'	10.0'

1/2 Beam Angle: 56.9°

Wattage Mutiplier Table

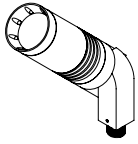
Wattage	Multiplier
5Watt	0.45
7Watt	0.80
10Watt	1.14

CCT Multiplier Table

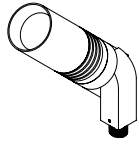
Color Temp.	Multiplier
2700K	0.97
3000K	1.00
4000K	1.05

Product Options & Accessories

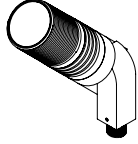
Hood Options



A-HOOD
Versatile hood with 8 weep holes for water drainage. Regressed lens for glare control. Suggested for general use or when fixture is aimed in an up position.



B-HOOD
Similar to A hood but without weep holes. Regressed lens for glare control. Used in an interior or down light application.



C-HOOD
Flush hood with machined threading on the outside for attachment of C-style glare shield, cleverly designed with hidden drainage channels.

Optional Glare Shield

For Use With A & B Hood
Fastened With Set Screw

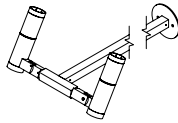


For Use With C Hood
Fastened With Locking Ring



Mounting Accessories

Canopy Plate:



Fixture On CM5



CM2



CM1

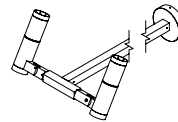


CM3



CM5

Surface Mount Box:



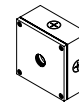
Fixture On CB5.1



CB3.5



CB4.0



CB4.0-SQ



CB5.1



CB5.5



CB5.5-K/O

Notes