

## ZX16-GU10-SOI

LED Area Accent . ZX16 Series



IP67

**Materials:** Machined aluminum(6061-T6)  
Stainless steel(SS304)hardware.

**Fitting:** 1/2" -14 NPS male thread.

**Input Voltage:** 120 or 230V AC.

**Wattage:** 9W max.

**Light Source:** MR16 SORAA® LED lamp  
(GU10 socket).

**Dimming:** Phase dimming.

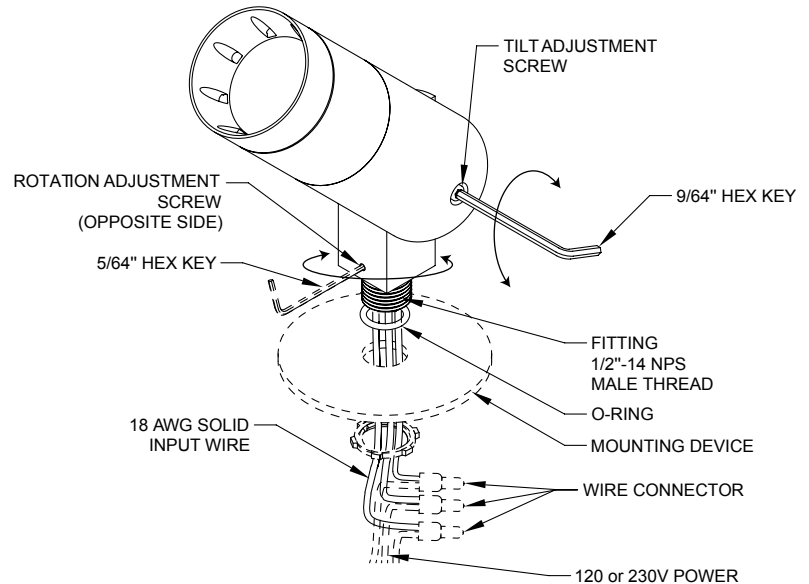
### Installation and Adjustment



#### TURN OFF POWER BEFORE AND DURING WIRING TO POWER SUPPLY

Installation/Service must be done by a qualified electrician, and compliant with NEC and Local Codes.

1. Secure the fixture fitting to the 1/2"-14 NPS female thread on mounting device (plate, box, spike, etc.).
2. Connect 18AWG solid input wires to the 120V or 230V power source using appropriate wire connectors.
3. Secure the mounting device with the fixture to mounting surface. For HK original mounting accessory, see the individual instruction for further detail of the installation.
4. To adjust tilting position of fixture, loosen tilt adjustment screw with 9/64" hex key, aim the fixture body and tighten the screw to secure the fixture in place. Do not tighten more than necessary.
5. To adjust rotating position of the fixture, loosen rotation adjustment screw with 5/64" hex key, aim the fixture stem and tighten the screw to secure the fixture in place. Do not tighten more than necessary.

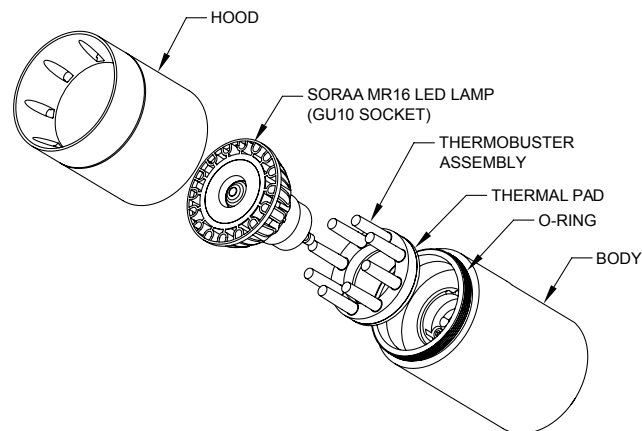


### Lamp and Reflector Replacement



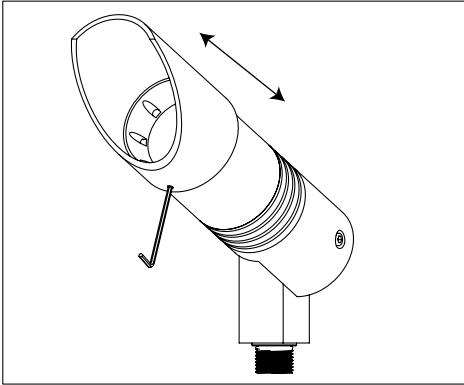
#### TURN OFF POWER AND KEEP FIXTURE COOL DURING MAINTENANCE SERVICE

1. Rotate hood counter-clockwise to remove it from fixture body, and access the LED module and reflector assembly.
2. Rotate the lamp slightly to unlock it from the GU10 socket, and remove the lamp and Thermal Pins Assy. from the Body.
3. Insert the Thermal Pins Assy. into the back of the replacement SORAA lamp, lining the pins up with the appropriate grooves.
4. Insert the SORAA GU10-MR16 lamp into the GU10 socket, and rotate the lamp clockwise slightly to secure it in place.
5. Replace the fixture hood onto the fixture body. Make sure the O-ring is in the proper groove on the fixture body, to form a watertight seal.



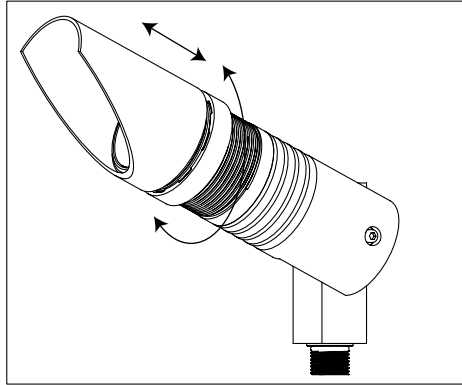
## For Glare Shield Adjustment & Optical Accessory Setting

Glare Shield Setting For A & B Hood



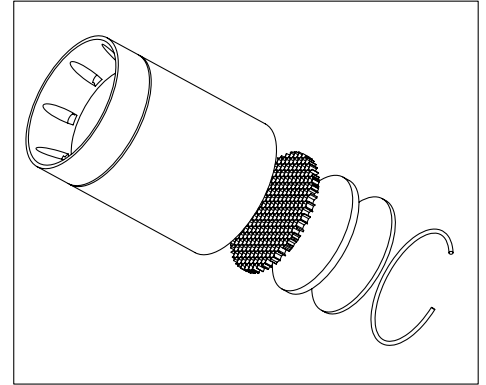
1. Use the 5/64" hex key to loosen the screw (8-32UNC set screw) on the bottom of the glare shield. Move the glare shield to the desired position, and tighten the screw ( ⚠ do not overtighten).

Glare Shield Setting For C Hood



1. Rotate the locking ring clockwise to move to the desired position.
2. Rotate the glare shield clockwise and move to the locking ring.
3. Lock the glare shield in place by rotating the locking ring counter-clockwise.

For Optical Accessory Setting



1. Rotate hood counter clockwise and remove it from body.
2. The hood accepts up to 3 accessories (hexcel louver, optical lenses, dichroic color filters, etc.). Secured in place with metal snap ring.
3. Pull out the snap ring from the hood.
4. Install or replace the accessory by placing it into the hood.
5. Replace the snap ring into the hood and push it into the groove (inside of the hood).
6. Rotate the hood clockwise to secure it back onto the body. Make sure the O-ring is in the proper groove on the fixture body, to form a watertight seal.