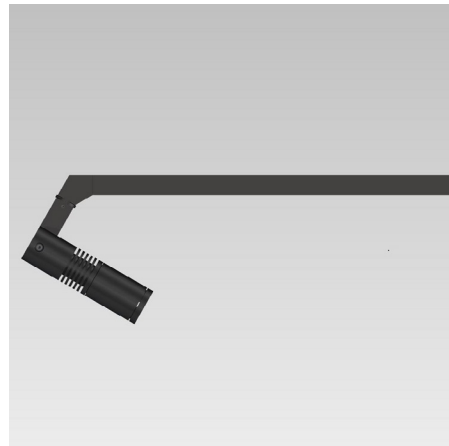


# SIGN-1-11L

LED Sign Light . 11 Series



## Product Features

- 5~7W LED modular sign light.
- ETL outdoor wet location listed. IP67 standard.
- Utilize adjustable accent fixture head with directional light.
- Machined from solid billet 6061-T6 corrosion resistant aluminum.
- Accommodates different beam spread reflectors and optic accessories.
- Modular components - field changeable LED module & beam spread reflectors.

## Specification

**Materials:** Machined from billet 6061-T6 corrosion resistant aluminum with 304 stainless steel hardware. Available in 304/316 stainless steel or 360 brass upon request.

**Hood and Glare Shield:** 3 available hood options to suit any application. 3 optional glare shields (short, long, angled) to complement each hood choice. See page 3 for details.

**Voltage:** 12V AC/DC. Requires remote step down transformer.

**Wattage:** 5 or 7W HK LED.

**Light Source:** CRI 83. Available in CRI95 upon request. The chromaticity range is within a 3-step McAdam Ellipse. Standard CCT options are 2700K, 3000K, 4000K.

**Lamp Base/Socket:** Innovative cone-shaped lamp base and receptacle socket maximize the surface contact area to dissipate heat more effectively. See "Resources" for details.

**Dimmability:** MLV or ELV.

**Finish:** Polyester powder coat on all aluminum materials with RoHS compliant procedures. Anodized finish is available. Stainless steel and brass models are provided with brushed surface.

**Optical Accessories:** Accepts up to 3 accessories (hexcel louver, optical lenses, dichroic color filters, etc.). Secured in place with metal snap ring.

## Ordering Guide

EXAMPLE: SIGN-1-11L - A - GSL - 12V - 7 - 27 - 40 - BK - LVR - 12" - CM5

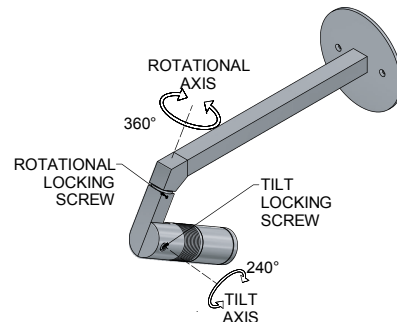
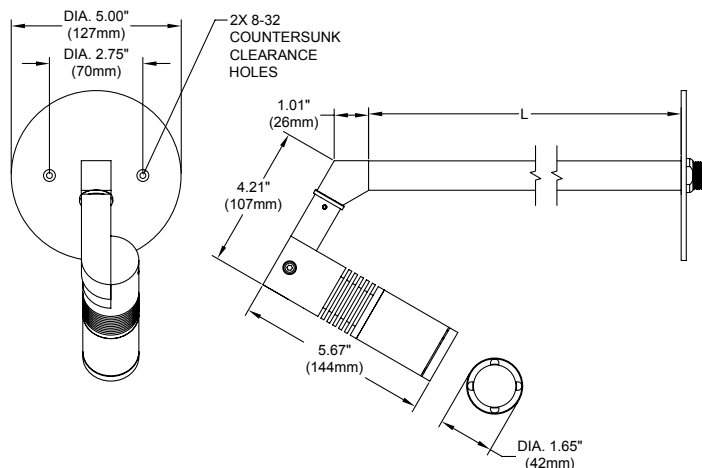
SERIES	MATERIAL	HOOD	OPTIONAL GLARE SHIELD	VOLTAGE	WATTAGE	CCT	OPTICS	FINISH	OPTIONAL SELECT UP TO 3 OPTIC ACCESSORIES	EXTENSION SIZE(L)	OPTIONAL MOUNTING ACCESSORIES				
SIGN-1-11L	-	-	-	12V	-	-	-	-	-	-	-				
BLANK	Aluminum(Standard)	A A-HOOD	GSL	5	5W	27	2700K	29	29°	Standard	LVR	Hexcel Louver	12"	See page 2 for quick reference, or "Accessories" link for detailed specification.	
NBR	Natural Brass	B B-HOOD	GSA	7	7W	30	3000K	40	40°	BK	Black Powder Coat	OSL	Overall Spread Lens		24"
NSS	Natural Stainless Steel		GSS			40	4000K	57	57°	BZ	Bronze Powder Coat	LSL	Linear Spread Lens		30"
CU	Natural Copper	C C-HOOD	CGSL							WT	White Powder Coat	SOL	Solite Soft Focus		
			CGSA							Premium	ABK	Anodized Black	DF		Dichroic Filter
			CGSS							ACL	Anodized Clear				
										CC	Custom Powder Coat				

Remote Step Down Transformer (Optional).  
See "Accessories" link for detailed specification.

Model	Wattage(VA)	Primary Voltage(VAC)	Secondary Volt(VAC)	Dimming Method	Characters
TXM	20 40 60 100 150 300	120 or 277	12	MLV	Outdoor, Wall Mount, Compact
TXS	150 300 600	120	Multi-tap of 12, 13, 14, 15 VAC	MLV	Outdoor, Wall mount, Stainless Steel Case
IGT	50(120V only) 100 300 600	120 or 277	12	MLV	in grade
TXE	60	120, 230, or 277	12	ELV	Needs Enclosure, 6ft working distance

## Product Drawings

NOTE: Specification and dimensions subject to change without notice.

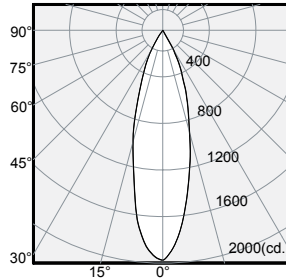


## Photometry & Energy Data

MODEL SIGN-1-11L-7W-N

Input Power	8.1W
Color Temperature (CCT)	3000K
Color Rendering Index (Ra)	80
Beam Angle	28.7°
Max. Candlepower	1964cd
Delivered Lumens	636lm
Efficacy	78lm/W

Polar Graph - Intensity



Cone of Light - Illuminance

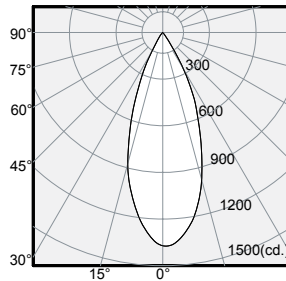
Center Beam (fc)	Beam Diameter	Distance
491	1.0'	2.0'
123	2.0'	4.0'
55	3.0'	6.0'
31	4.0'	8.0'
20	5.0'	10.0'

1/2 Beam Angle: 28.7°

MODEL SIGN-1-11L-7W-M

Input Power	8.1W
Color Temperature (CCT)	3000K
Color Rendering Index (Ra)	80
Beam Angle	39.2°
Max. Candlepower	1383cd
Delivered Lumen	632lm
Efficacy	78lm/W

Polar Graph - Intensity



Cone of Light - Illuminance

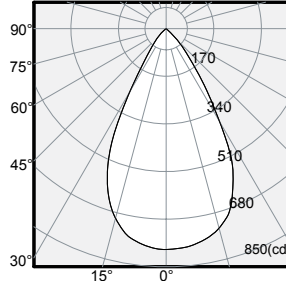
Center Beam (fc)	Beam Diameter	Distance
346	1.4'	2.0'
86	2.9'	4.0'
38	4.3'	6.0'
22	5.7'	8.0'
14	7.1'	10.0'

1/2 Beam Angle: 39.2°

MODEL SIGN-1-11L-7W-W

Input Power	8.1W
Color Temperature (CCT)	3000K
Color Rendering Index (Ra)	80
Beam Angle	56.9°
Max. Candlepower	811cd
Delivered Lumen	675lm
Efficacy	83lm/W

Polar Graph - Intensity



Cone of Light - Illuminance

Center Beam (fc)	Beam Diameter	Distance
203	2.2'	2.0'
135	4.3'	4.0'
23	6.5'	6.0'
13	8.7'	8.0'
8	10.8'	10.0'

1/2 Beam Angle: 56.9°

Wattage Multiplier Table

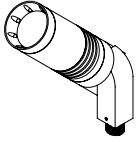
Wattage	Multiplier
5Watt	0.67
7Watt	1.00

CCT Multiplier Table

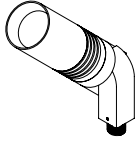
Color Temp.	Multiplier
2700K	0.96
3000K	1.00
4000K	1.03

**Product Options & Accessories**

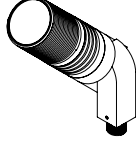
**Hood Options**



**A-HOOD**  
Versatile hood with 8 weep holes for water drainage. Regressed lens for glare control. Suggested for general use or when fixture is aimed in an up position.



**B-HOOD**  
Similar to A hood but without weep holes. Regressed lens for glare control. Used in an interior or down light application.



**C-HOOD**  
Flush hood with machined threading on the outside for attachment of C-style glare shield, cleverly designed with hidden drainage channels.

**Optional Glare Shield**

For Use With A & B Hood  
Fastened With Set Screw

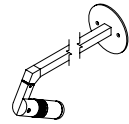


For Use With C Hood  
Fastened With Locking Ring



**Mounting Accessories**

**Canopy Plate:**



Fixture On CM5



CM2



CM1

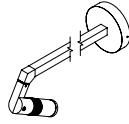


CM3



CM5

**Surface Mount Box:**



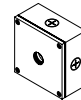
Fixture On CB5.1



CB3.5



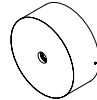
CB4.0



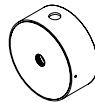
CB4.0-SQ



CB5.1



CB5.5



CB5.5-K/O

**Notes**