

ZXG16-GU10-SOi-OSB

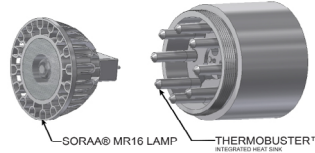
In-grade . ZXG Series



Product Features

- Brass in-grade fixture with superior corrosion resistance.
- ETL outdoor wet location listed. IP67 standard.
- Built-in optic accessory holder.
- Easy-lock aiming mechanism allows 360° Horizontal and 30° vertical adjustability.
- US patented integral SORAA® heat sink.
- PVC outer sleeve for line voltage installation.

Integral SORAA® Heat Sink: US patented Thermobuster™ provides extra heat dissipation that reduces the lamp junction temperature by 77°F(25°C). Enables even the highest wattage SORAA® lamps to be used in an enclosed fixture without sacrificing its performance or life expectancy.



Specification

Materials:
 Housing: Die-cast brass.
 Lamp holder and Aiming Assembly: Machined from billet 6061-T6 corrosion resistant aluminum.
 Hardware: 304 stainless steel hardware.

PVC Sleeve: 12" long, 3/16" thick
Light Source: MR16 GU10 Halogen lamp or MR16 GU10 SORAA® LED lamp. Please refer to [SORAA MR16 GU10](#) for lamp selection.

Wattage: Max. 9W for SORAA MR16 lamp with Thermobuster. Max. 50W for halogen MR16 without Thermobuster.

Lamp Base/Socket: Porcelain GU10 twist - lock lamp base.

Dimmability: MLV or ELV. Please refer to website for SORAA® MR16 dimmer compatibility. [SORAA GU10 dimmer compatibility](#).

Finish: Standard is natural brass. Also available in nickel plating(NP), or BLACK OXIDE(BKO) on top bezels.

Optical Accessories: Accepts up to 3 accessory pieces (hexcel louver, optical lenses, dichroic color filters, etc.). Secured in place with metal snap ring.

Voltage: 120V or 230V AC.

Ordering Guide

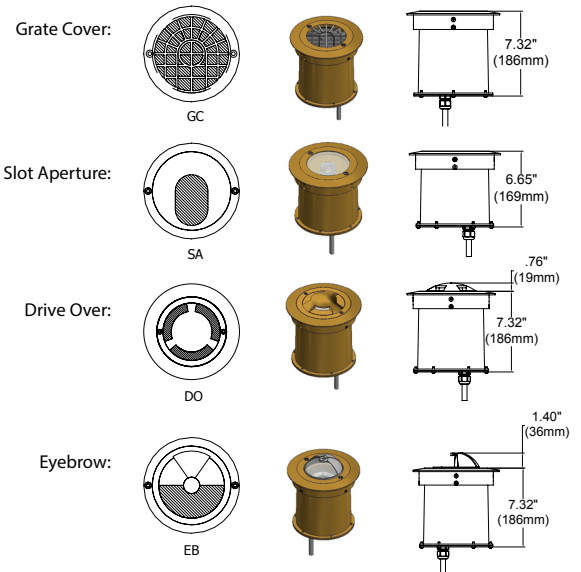
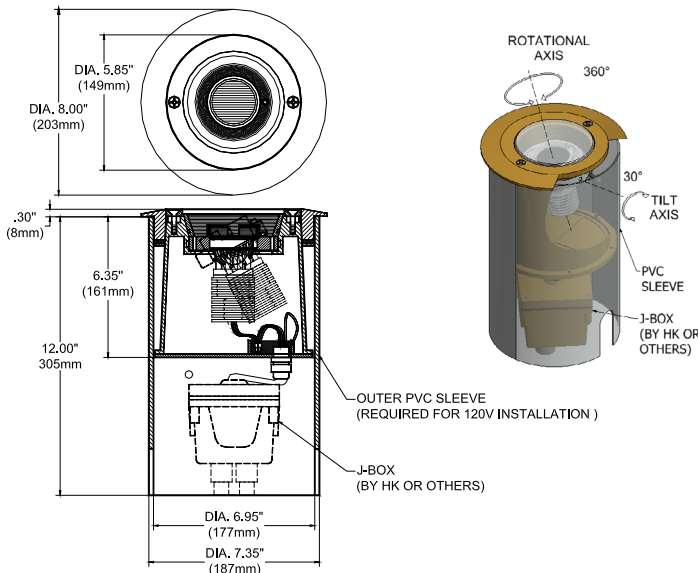
EXAMPLE: ZXG16-GU10-SOi-OSB - 01109 - 120V - NBR - LVR - SA
 ZXG16-GU10-OSB - 120V - NBR - LVR - SA

SERIES	OPTIONAL LAMP	VOLTAGE	FINISH	OPTIONAL, SELECT UP TO 3 OPTIC ACCESSORIES	OPTIONAL ACCESSORIES
ZXG16-GU10-SOi-OSB	-	-	-	-	-
SORAA®	0--NONE XXXXX SORAA® LAMP CODE (5 DIGIT SORAA CAT. NO*)	120V	Standard NBR Natural Brass Premium NP Nickel Plated BKO Black Oxide	LVR Hexcel Louver OSL Overall Spread Lens LSL Linear Spread Lens SOL Solite Soft Focus DF Dichroic Filter	See page 2 for quick reference, or "Accessories" link for detailed specification

*SORAA® Lamp Selection : [SORAA MR16 GU10](#)

Product Drawings

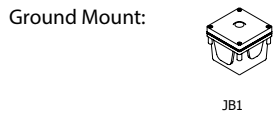
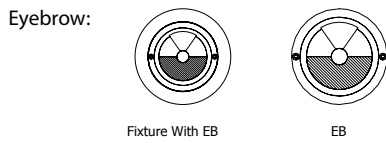
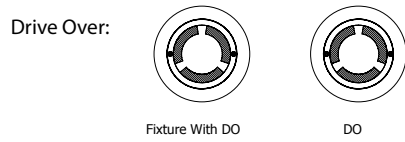
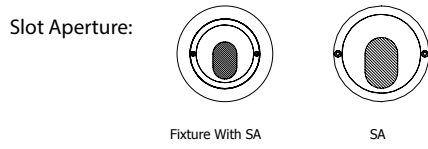
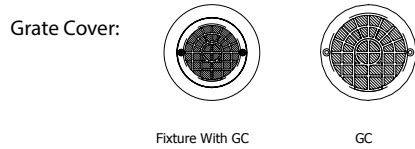
NOTE: Specification and dimensions subject to change without notice.



Photometry & Energy Data

All SORAA® MR16 GU10 base lamps can be used in this fixture.
Please refer to SORAA® website: [SORAA MR16 GU10](http://www.soraa.com)

Accessories



Notes