

# ZXL-SL-6X4-SM

LED Step Marker . ZXL-SL Series



## Product Features

- Surface mount step light with minimum requirement for recessed space behind the wall.
- Recessed LED light source with minimum glare.
- ETL outdoor wet location listed. IP65 standard.
- Machined from solid billet 6061-T6 corrosion resistant aluminum.
- Line voltage input with integral LED driver in fixture housing.
- Available in turtle friendly AMBER model.

## Specification

**Materials:** Machined from billet 6061-T6 corrosion resistant aluminum with 304 stainless steel hardware. Available in 304/316 stainless steel or 360 brass upon request.

**Voltage:** 120~277V AC with integral step down transformer.

**Wattage:** 4 or 8W HK LED. 5W AMBER LED.

**Light Source:** CRI 83. Available in CRI95 upon request. The chromaticity range is within a 3-step McAdam Ellipse. Standard CCT options are 2700K, 3000K, 4000K.

**Dimmability:** Non-dimmable.

**Finish:** Polyester powder coat on all aluminum materials with RoHS compliant procedures. Anodized finish is available. Stainless steel and brass models are provided with brushed surface.

**Lens:** Soft focus lens (solite lens).

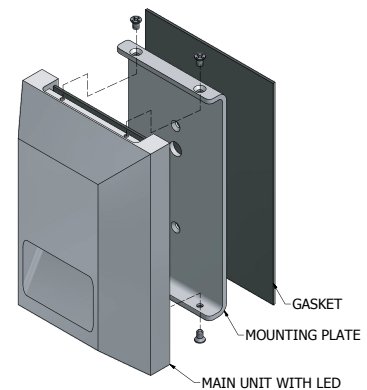
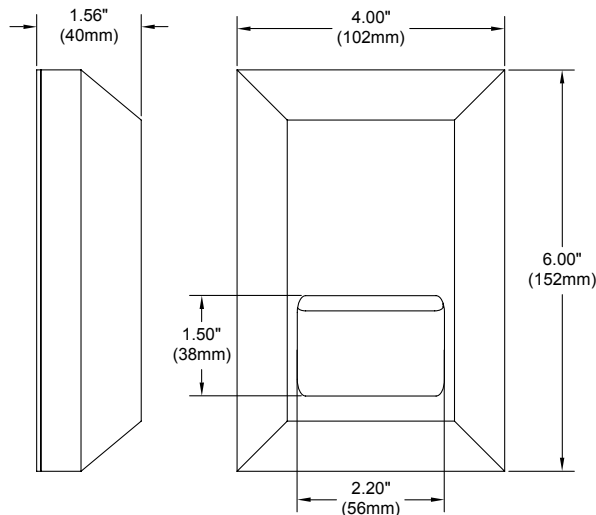
## Ordering Guide

EXAMPLE: ZXL-SL-6X4-SM - UNV - 4 - 27 - BK

SERIES	MATERIAL	VOLTAGE	WATTAGE	CCT	FINISH
ZXL-SL-6X4-SM	-	UNV	-	-	-
	BLANK Aluminum(Standard)	120~277V	4 4W	27 2700K	Standard
	NBR Natural Brass		8 8W	30 3000K	BK Black Powder Coat
	NSS Natural Stainless Steel			40 4000K	BZ Bronze Powder Coat
	CU Natural Copper				WT White Powder Coat
			AMB 5W	AMBER	Premium
					ABK Anodized Black
					ACL Anodized Clear
					CC Custom Powder Coat

## Product Drawings

NOTE: Specification and dimensions subject to change without notice.

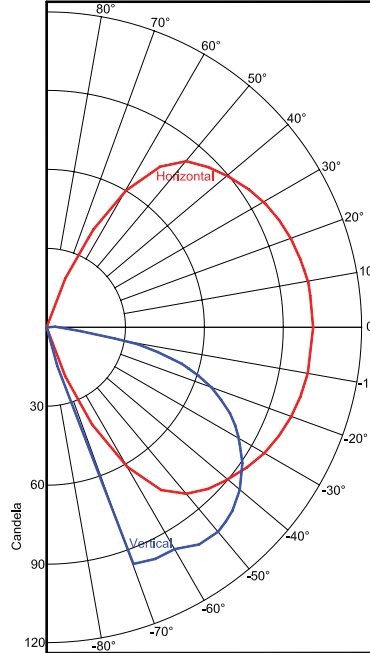


## Photometry & Energy Data

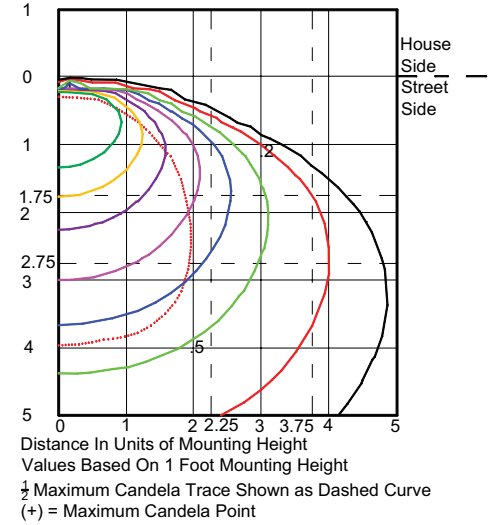
MODEL ZXL-SL-6X4-SM

Input Power	4.3W
Color Temperature (CCT)	3000K
Color Rendering Index (Ra)	84
Maximum Candela Angle	0° H, -50° V
Max. Candlepower	101cd
Delivered Lumens	135lm
Efficacy	31lm/W

Polar Graph - Intensity



Isofootcandle Lines of Horizontal Illuminancy



CCT Multiplier Table

Color Temp.	Multiplier
2700K	0.97
3000K	1.00
4000K	1.05

## Notes