

ZX16-WM2-SQ-GU10/ZX16-WM2-SQ-GU10-SOi

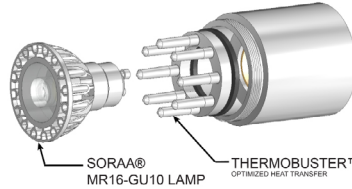
Wall Mount · ZX16 Series



Product Features

- Up/Down wall sconce with mounting canopy.
- ETL outdoor wet location listed. IP65 standard.
- Machined from solid billet 6061-T6 corrosion resistant aluminum.
- Swivel stem insert allows for precision adjustment during installation.
- Unique weep hole design in hood of the up-light with minimum light leak.
- US patented integral SORAA® heat sink.
- 120V input with GU10 MR16 LED. No transformer needed.

Integral SORAA® Heat Sink: US patented Thermobuster™ provides extra heat dissipation that reduces the lamp junction temperature by 77°F(25°C). Enables even the highest wattage SORAA® lamps to be used in an enclosed fixture without sacrificing its performance or life expectancy.



Specification

Materials: Machined from billet 6061-T6 corrosion resistant aluminum with 304 stainless steel hardware. Available in 304/316 stainless steel or 360 brass upon request.

Glare Shield: 3 optional glare shields(GSL-long, GSA-angled GSS-short) for additional glare control. See page 2 for details.

Light Source: MR16 GU10 Halogen lamp or MR16 GU10 SORAA® LED lamp. Please refer to [SORAA MR16 GU10](#) for lamp selection.

Voltage: 120 or 230V AC.

Wattage:
Max. 9W (x2)for SORAA MR16 lamp with Thermobuster.
Max. 35W(x2) for halogen MR16.

Lamp Base/Socket: Porcelain GU10 twist - lock lamp base.

Dimmability: Phase. Please refer to website for SORAA® MR16 dimmer compatibility. [SORAA GU10 dimmer compatibility](#).

Finish: Polyester powder coat on all aluminum materials with RoHS compliant procedures. Anodized finish is available. Stainless steel and brass models are provided with brushed surface.

Optical Accessories: Accepts up to 3 accessory pieces (hexcel louver, optical lenses, dichroic color filters, etc.). Secured in place with metal snap ring.

Mounting Accessory: Utilizes 2x 8-32 UNC machine screws (provided) to attach to a standard octagon recessed back box (provided by others).

Ordering Guide

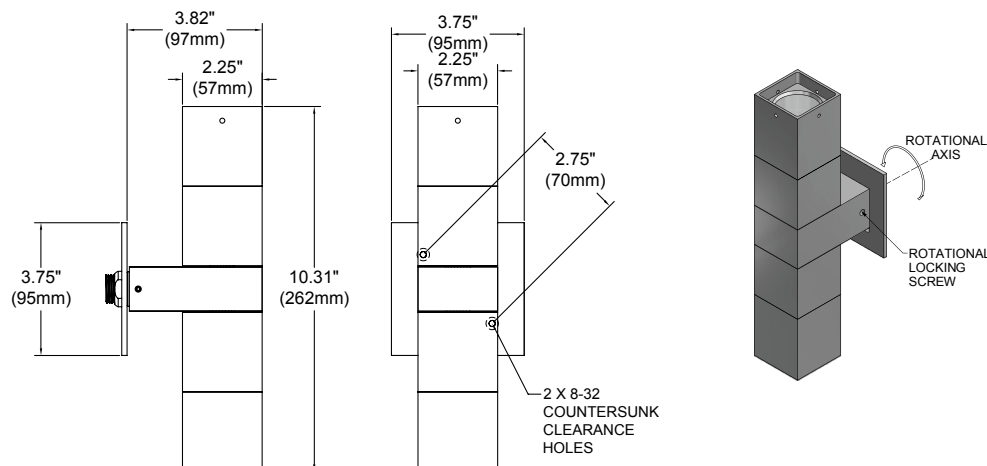
EXAMPLE: ZX16-WM2-SQ-GU10-SOi - GSL - 01109 - BK - LVR - CM1
ZX16-WM2-SQ-GU10 - GSL - 0 - BK - LVR - CM1

| SERIES | MATERIAL | OPTIONAL GLARE SHIELD | VOLTAGE | OPTIONAL LAMP | FINISH | OPTIONAL SELECT UP TO 3 OPTIC ACCESSORIES | OPTIONAL MOUNTING ACCESSORIES |
|--------------------------------|---|-----------------------|--------------|--|---|---|---|
| ZX16-WM2-SQ-GU10 HALOGEN | BLANK Aluminum(Standard) NBR Natural Brass NSS Natural Stainless Steel CU Natural Copper | GSL GSA GSS | 120V 230V | 0--NONE XXXXX SORAA® LAMP CODE (5 DIGIT SORAA CAT. NO*) | Standard BK Black Powder Coat BZ Bronze Powder Coat WT White Powder Coat Premium ABK Anodized Black ACL Anodized Clear CC Custom Powder Coat | LVR Hexcel Louver OSL Overall Spread Lens LSL Linear Spread Lens SOL Solite Soft Focus DF Dichroic Filter | See page 2 for quick reference, or "Accessories" link for detailed specification. |
| ZX16-WM2-SQ-GU10-SOi SORAA® | | | | | | | |

*SORAA® Lamp Selection : [SORAA MR16 GU10](#)

Product Drawings

NOTE: Specification and dimensions subject to change without notice.



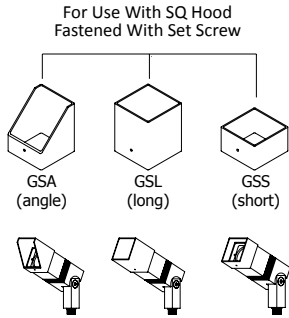
Photometry & Energy Data

All SORAA® MR16 GU10 base lamps can be used in this fixture.

Please refer to SORAA® website: [SORAA MR16 GU10](http://www.soraa.com/SORAA-MR16-GU10)

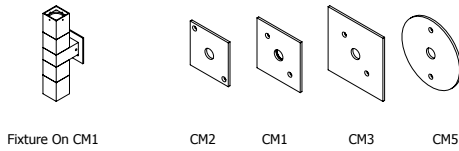
Product Options & Accessories

Optional Glare Shield

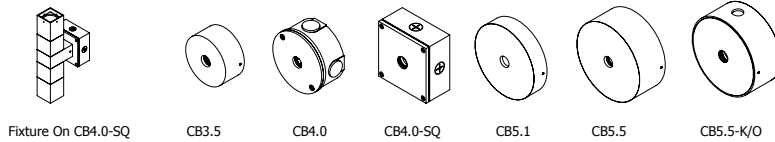


Mounting Accessories

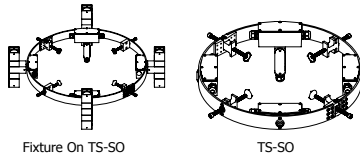
Canopy Plate:



Surface Mount Box:



Tree Mount:



Notes