

ZX16-CAT-SOi-BM/ZX16-CAT-GU10-SOi-BM



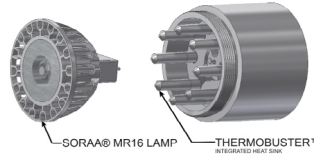


Catenary . ZX16 Series

Product Features

- A unique catenary system including LED fixtures, turnbuckle, suspension cable, power cable for outdoor indoor illumination.
- Unique brass mesh hood.
- Integral weatherproof wiring compartment in fixture body.
- ETL outdoor wet location listed. IP65 standard.
- Machined from solid billet 6061-T6 corrosion resistant aluminum.
- US patented integral SORAA® heat sink.
- 12V with GU5.3, or 120V/230V with GU10 socket.
- GU10-SOi pre-wired with 18/3 power cable in factory.

Integral SORAA® Heat Sink: US patented Thermobuster™ provides extra heat dissipation that reduces the lamp junction temperature by 77°F(25°C). Enables even the highest wattage SORAA® lamps to be used in an enclosed fixture without sacrificing its performance or life expectancy.



Specification

Materials:

Body: Machined from billet 6061-T6 corrosion resistant aluminum with 304 stainless steel hardware. Available in 304/316 stainless steel or 360 brass upon request.
Hood: Finely woven brass mesh hood.

Fixture Weight: 2lbs.

Light Source:

12V--MR16 SORAA® LED lamp. Please refer to [SORAA MR16 GU5-3](#) for lamp selection.
Line Voltage--MR16 GU10 SORAA® LED lamp. Please refer to [SORAA MR16 GU10](#) for lamp selection.

Voltage: 12V, 120 or 230V AC.

Wattage: Max. 9W for SORAA MR16 lamp with Thermobuster.

Lamp Base/Socket: 12V with GU5.3 socket, or 120V/230V with porcelain GU10 twist-lock socket.

Dimmability:

12V with MLV or ELV dimming. Please refer to website for SORAA® MR16 dimmer compatibility. [SORAA MR16 dimmer compatibility](#).
Line voltage is with phase dimming, Please refer to website for SORAA® MR16 dimmer compatibility. [SORAA GU10 dimmer compatibility](#).

Finish: Polyester powder coat on all aluminum materials with RoHS compliant procedures. Anodized finish is available. Stainless steel and brass models are provided with brushed surface.

Optical Accessories: Dichroic color filters. Secured in place with metal snap ring.

Mounting Method: Custom hook mechanism on top of fixture that utilizes set screws to secure fixture(s) on the suspension cable and to lock the position of fixture on the cable.

Turn Buckle (Optional): Allows fine tuning of the tension on the support cable, up to 1.50" of adjustment.

Power Cable (Optional): 12V--18/2 SJTW cable dia. 0.29". 120/230V--18/3 SJTW cable dia. 0.31" pre-wired.

Suspension Cable (Optional): 7x7 stainless steel wire rope, maximum diameter is 5/32"; capacity 450lbs.

Ordering Guide

EXAMPLE: ZX16-CAT-SOi-BM - 12V - 00917 - BK - DF - TURN BUCKLE

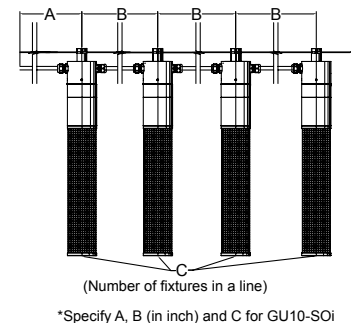
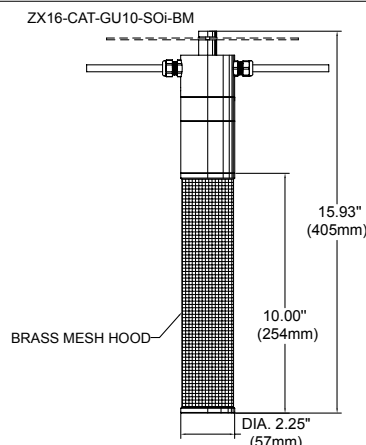
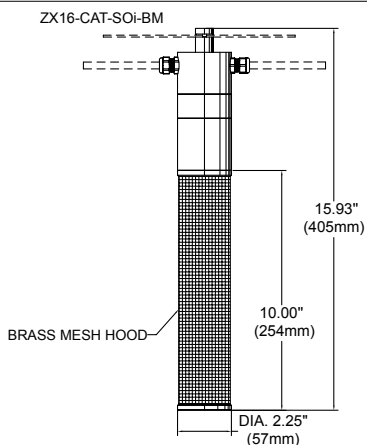
SERIES	MATERIAL	VOLTAGE	OPTIONAL LAMP	POWER CABLE	FINISH	OPTIONAL OPTIC ACCESSORIES	OPTIONAL MOUNTING ACCESSORIES
ZX16-CAT-SOi-BM SORAA®	BLANK Aluminum(Standard) NBR Natural Brass NSS Natural Stainless Steel CU Natural Copper	12V	0--NONE XXXXX SORAA® LAMP CODE (5 DIGIT SORAA CAT. NO*) SORAA MR16 GU5-3	12V Optional	Standard BK Black Powder Coat BZ Bronze Powder Coat WT White Powder Coat Premium ABK Anodized Black ACL Anodized Clear CC Custom Powder Coat	DF Dichroic Filter	See page 2 for quick reference, or "Accessories" link for detailed specification.
ZX16-CAT-GU10-SOi-BM SORAA®		120V 230V	XXXXX SORAA® LAMP CODE (5 DIGIT SORAA CAT. NO*) SORAA MR16 GU10	120V/230V Specify A, B and C A Length of Feed-in B Space Between Fixtures C Number Of Fixtures			

Remote Step Down Transformer for 12V fixture(Optional).
See ["Accessories"](#) link for detailed specification.

Model	Wattage(VA)	Primary Voltage(VAC)	Secondary Volt(VAC)	Dimming Method	Characters
TXM	20 40 60 100	120 or 277	12	MLV	Outdoor, Wall Mount, Compact
TXS	150	120	Multi-tap of 12, 13, 14, 15 VAC	MLV	Outdoor, Wall mount, Stainless Steel Case
IGT	50(120V only) 100	120 or 277	12	MLV	in grade

Product Drawings

NOTE: Specification and dimensions subject to change without notice.



*Specify A, B (in inch) and C for GU10-SOi

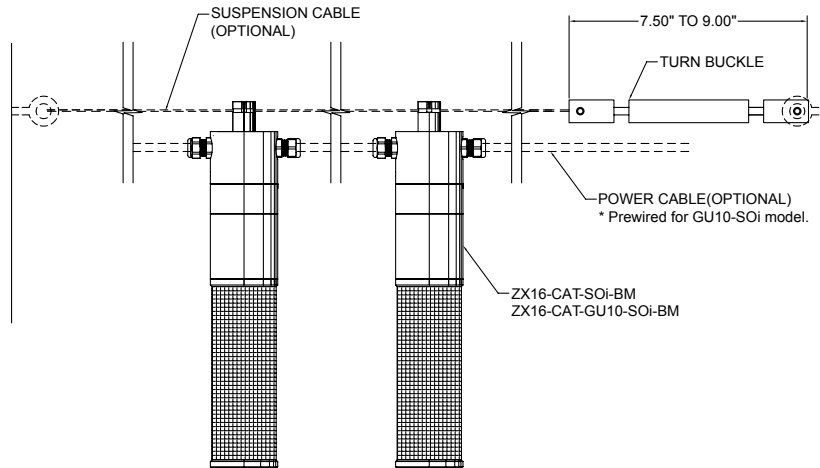
Photometry & Energy Data

All SORAA® MR16 GU5.3 base lamps can be used in this fixture.
Please refer to SORAA® website: [SORAA MR16 GU5-3](http://www.soraa.com/SORAA-MR16-GU5-3)

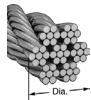
All SORAA® MR16 GU10 base lamps can be used in this fixture.
Please refer to SORAA® website: [SORAA MR16 GU10](http://www.soraa.com/SORAA-MR16-GU10)

Product Options & Accessories

Mounting Accessories



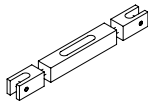
Suspension Cable:



Power Cable:



Turn Buckle:



Notes