

ZXL30i-CAT

LED Catenary . ZX30 Series



Product Features

- A unique catenary system including LED fixtures, turnbuckle, suspension cable, power cable for outdoor or indoor illumination.
- ETL outdoor wet location listed. IP65 standard.
- Machined from solid billet 6061-T6 corrosion resistant aluminum.
- Integral weatherproof wiring compartment in fixture body
- Line voltage input with integral LED driver in fixture housing.

Specification

Materials: Machined from billet 6061-T6 corrosion resistant aluminum with 304 stainless steel hardware. Available in 304/316 stainless steel or 360 brass upon request.

Glare Shield: 3 optional glare shields(GSL-long, GSA-angled GSS-short) for additional glare control. See page 3 for details.

Fixture Weight: 6lbs.

Voltage: Universal 120~277V AC with integral LED driver.

Wattage: 24W Xicato LED; 28W Nichia LED; 18W AMBER LED.

Light Source: CRI 83. Available in CRI95 upon request. The chromaticity range is within a 3-step McAdam Ellipse. Standard CCT options are 2700K, 3000K, 4000K.

Lamp Base/Socket: Innovative cone-shaped lamp base and receptacle socket maximize the surface contact area to dissipate heat more effectively. See "Resources" for details.

Dimmability: Standard with phase dimming @120V, 0-10V dimming @ 120-277V. Please consult factory for DALI or DMX control.

Finish: Polyester powder coat on all aluminum materials with RoHS compliant procedures. Anodized finish is available. Stainless steel and brass models are provided with brushed surface.

Mounting Method: Custom hook mechanism on top of fixture that utilizes set screws to secure fixture(s) on the suspension cable and to lock the position of fixture on the cable.

Turn Buckle (Optional): Allows fine tuning of the tension on the support cable, up to 1.50" of adjustment.

Power Cable (Optional): 18/3 SJTW cable dia. 0.31" pre-wired.

Suspension Cable (Optional): 7x7 stainless steel wire rope, maximum diameter is 1/4", capacity 1200lbs.

Ordering Guide

EXAMPLE: ZXL30i-CAT - GSL - UNV - N28 - 27 - 20 - BK - LVR - TURN BUCKLE

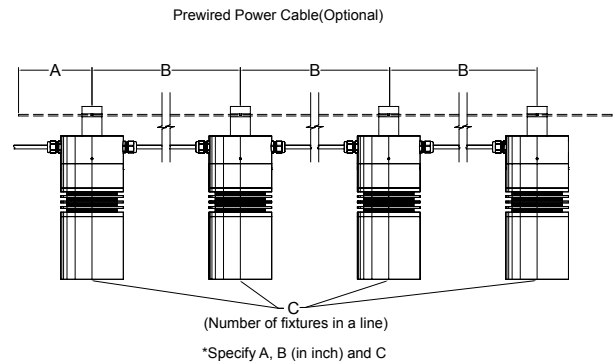
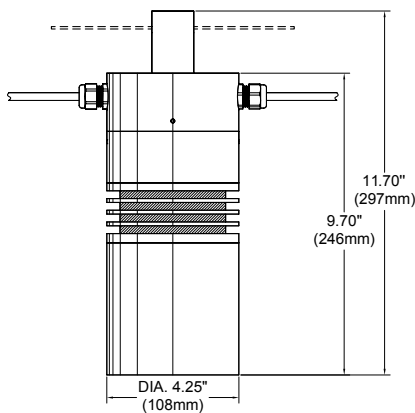
SERIES	MATERIAL	OPTIONAL GLARE SHIELD	VOLTAGE	WATTAGE	CCT	OPTICS	FINISH	OPTIONAL - SELECT UP TO 3 OPTIC ACCESSORIES	OPTIONAL MOUNTING ACCESSORIES	
ZXL30i-CAT	-	-	-	-	-	-	-	-	-	
	BLANK Aluminum(Standard)	GSL	120V	X24 24W	27 2700K	20 20°	Standard	LVR	Hexcel Louver	See page 3 for quick reference, or "Accessories" link for detailed specification.
	NBR Natural Brass	GSA	120V (Phase Control)	N28 28W	30 3000K	30 30°	BK Black Powder Coat	OSL	Overall Spread Lens	
	NSS Natural Stainless Steel	GSS	UNV 120-277V (0-10V)		40 4000K	40 40°	BZ Bronze Powder Coat	LSL	Linear Spread Lens	
	CU Natural Copper			AMB 18W	AMBER		WT White Powder Coat	SOL	Solite Soft Focus	
							Premium ABK Anodized Black ACL Anodized Clear CC Custom Powder Coat	DF	Dichroic Filter	

POWER CABLE(OPTIONAL)

- Specify A, B and C
A Length of Feed-in
B Space Between Fixtures
C Number Of Fixtures

NOTE: Specification and dimensions subject to change without notice.

Product Drawings

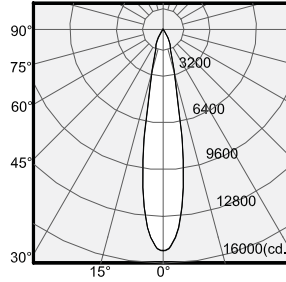


Photometry & Energy Data

MODEL ZXL30i-CAT-N28-N

Input Power	28W
Color Temperature (CCT)	3000K
Color Rendering Index (Ra)	83
Beam Angle	20.0°
Max. Candlepower	15398cd
Delivered Lumens	2738lm
Efficacy	98lm/W

Polar Graph - Intensity



Cone of Light - Illuminance

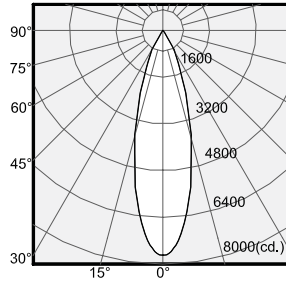
Center Beam (fc)	Beam Diameter	Distance
3779	0.7'	2.0'
945	1.4'	4.0'
420	2.1'	6.0'
236	2.8'	8.0'
151	3.5'	10.0'

1/2 Beam Angle: 20.0°

MODEL ZXL30i-CAT-N28-M

Input Power	28W
Color Temperature (CCT)	3000K
Color Rendering Index (Ra)	83
Beam Angle	29.4°
Max. Candlepower	7827cd
Delivered Lumen	2503lm
Efficacy	89lm/W

Polar Graph - Intensity



Cone of Light - Illuminance

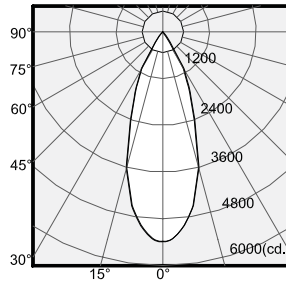
Center Beam (fc)	Beam Diameter	Distance
1921	1.0'	2.0'
480	2.1'	4.0'
213	3.1'	6.0'
120	4.2'	8.0'
77	5.2'	10.0'

1/2 Beam Angle: 29.4°

MODEL ZXL30i-CAT-N28-W

Input Power	28W
Color Temperature (CCT)	3000K
Color Rendering Index (Ra)	83
Beam Angle	37.5°
Max. Candlepower	5476cd
Delivered Lumen	2598lm
Efficacy	93lm/W

Polar Graph - Intensity



Cone of Light - Illuminance

Center Beam (fc)	Beam Diameter	Distance
1344	1.4'	2.0'
336	2.7'	4.0'
149	4.1'	6.0'
84	5.4'	8.0'
54	6.8'	10.0'

1/2 Beam Angle: 37.5°

Multiplier Table for Above Table

Type	Wattage	Multiplier
N28	28Watt	1.00
X24	24Watt	0.69
AMBER	18Watt	Consult Factory

CCT Multiplier Table

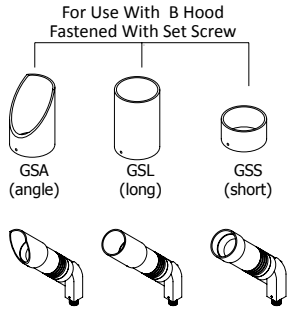
Color Temp.	Multiplier
2700k	0.97
3000k	1.00
4000k	1.05

Multiplier Table for IES Files (Taken from IES of ZXL30i-51.8W)

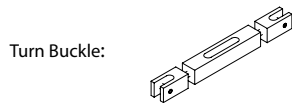
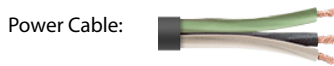
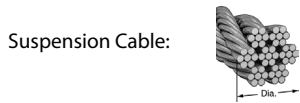
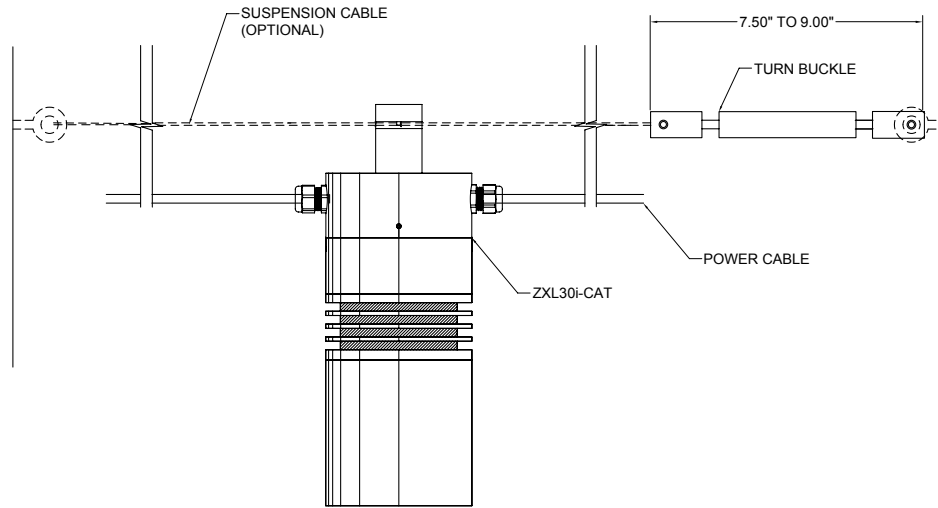
Type	Multiplier
N28	0.78
X24	0.54

Product Options & Accessories

Optional Glare Shield



Mounting Accessories



Notes