

ZX16-IP-SOi

LED Image Projector . ZX16 Series



Materials: Machined aluminum(6061-T6)
Stainless steel(SS304)hardware.

Fitting: 1/2"-14 NPS male thread.

Input Voltage: 12V AC/DC

Wattage: 9W max.

Light Source: MR16 SORAA® LED lamp
(GU5.3 socket).

Dimming: MLV / ELV.

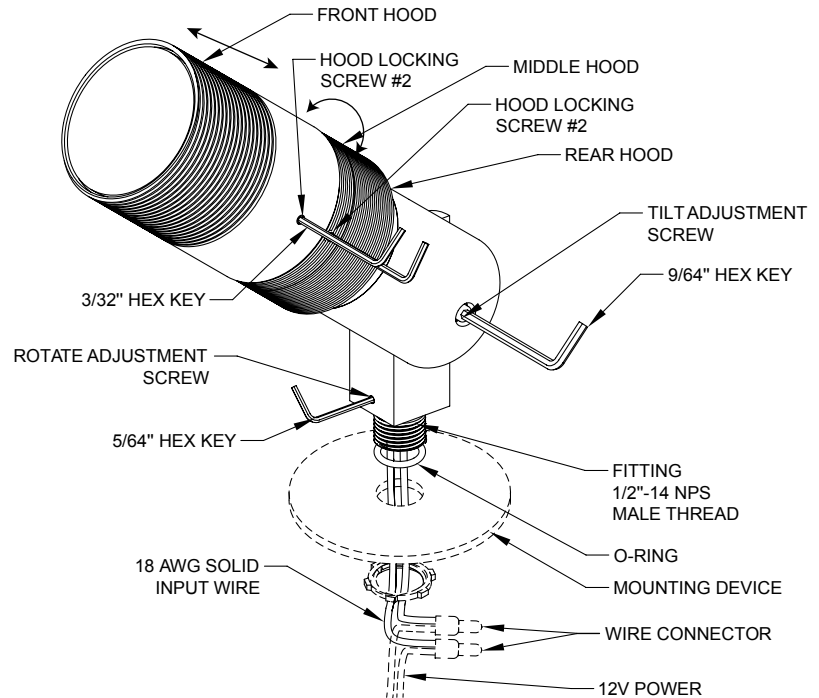
Installation and Adjustment



TURN OFF POWER BEFORE AND DURING WIRING TO POWER SUPPLY

Installation/Service must be done by a qualified electrician, and compliant with NEC and Local Codes.

1. Secure the fixture fitting to the 1/2"-14 NPS female thread on mounting device (plate, box, spike, etc.).
2. Connect 18AWG solid input wires to the 12V power source using appropriate wire connectors.
3. Secure the mounting device with the fixture to mounting surface. For HK original mounting accessory, see the individual instruction for further detail of the installation.
4. To adjust tilting position of fixture, loosen tilt adjustment screw with 9/64" hex key, aim the fixture body and tighten the screw to secure the fixture in place. Do not tighten more than necessary.
5. To adjust rotating position of the fixture, loosen rotation adjustment screw with 5/64" hex key, aim the fixture stem and tighten the screw to secure the fixture in place. Do not tighten more than necessary.
6. Loosen hood locking screw #1 slightly, pull or push front hood to focus image. Tighten hood locking screw #1 to secure focused image in place.
7. Loosen hood locking screw #2 slightly, rotate middle hood to adjust image to desire position. Tighten hood locking screw #2 to secure rotated image in place.

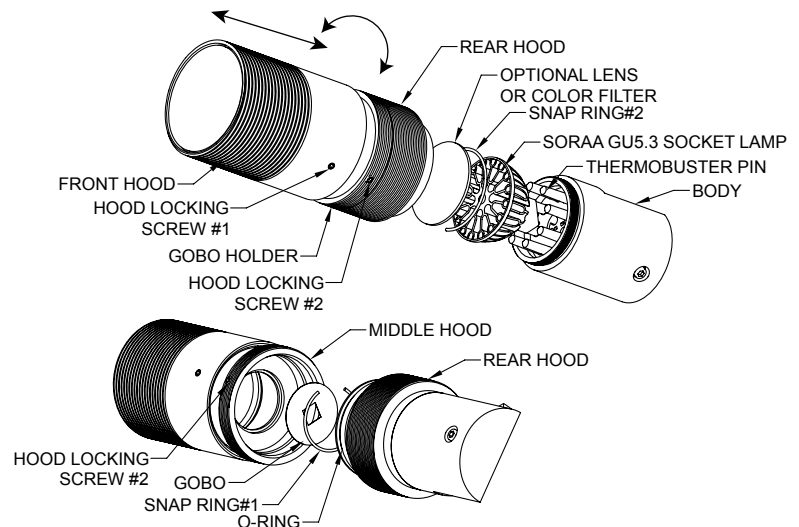


Lamp Replacement



TURN OFF POWER AND KEEP FIXTURE COOL DURING MAINTENANCE SERVICE

1. Rotate rear hood counter-clockwise to remove it from fixture body, and access the lamp assembly.
2. Remove the existing SORAA MR16 lamp by pulling it out from the housing, and install the new SORAA MR16 lamp in the fixture body, ensuring the base of the lamp lines up with the GU5.3 socket.
3. Press down firmly on the lamp to ensure the SORAA Thermobuster pins are in full contact with the lamp.
4. Replace the fixture hood onto the fixture body. Make sure the O-ring is in the proper groove on the fixture body, to form a watertight seal.



Install & Replace GOBO, Additional Lens Or Color Filter



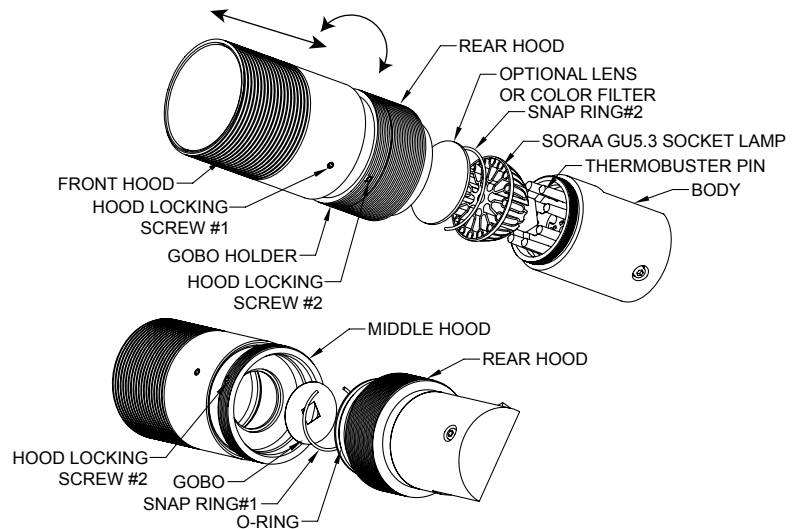
TURN OFF POWER AND KEEP FIXTURE COOL DURING MAINTENANCE SERVICE

Install & Replace GOBO

1. Loosen locking screw #2 and pull middle and front hood out from rear hood.
2. Remove snap ring#1 and place the GOBO into appropriate groove. Replace snap ring #1.
3. Replace middle and front hood onto rear hood, tighten hood locking screw #2. Make sure the O-ring is in the proper groove on the fixture body, to form a watertight seal.

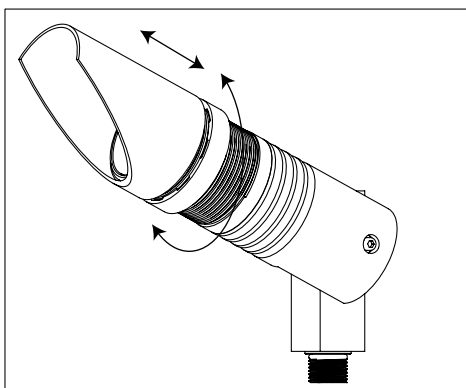
Install & Replace Additional Lens Or Color Filter

1. Rotate rear hood counter-clockwise to remove it from fixture body.
2. Place additional lens or color filter into hood, place snap ring #2 to lock additional lens and color filter.
3. Replace the fixture hood onto the fixture body. Make sure the O-ring is in the proper groove on the fixture body, to form a watertight seal.



For Glare Shield Adjustment

Glare Shield Setting For C Hood



1. Rotate the locking ring clockwise to move to the desired position.
2. Rotate the glare shield clockwise and move to the locking ring.
3. Lock the glare shield in place by rotating the locking ring counter-clockwise.