

ZXL08-SQ

LED Area Accent . ZX08 Series



Materials: Machined aluminum(6061-T6)
Stainless steel(SS304)hardware.

Fitting: 1/2" -14 NPS male thread.

Input Voltage: 12V AC/DC

Wattage: 2W max.

Light Source: HK LED module.

Dimming: MLV / ELV.

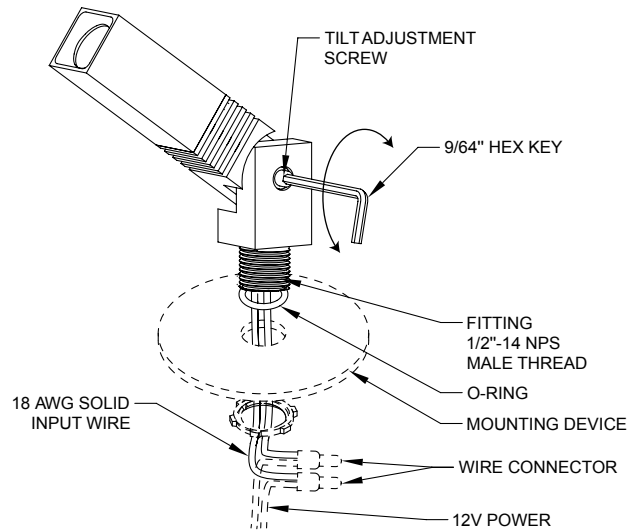
Installation and Adjustment



TURN OFF POWER BEFORE AND DURING WIRING TO POWER SUPPLY

Installation/Service must be done by a qualified electrician, and compliant with NEC and Local Codes.

1. Secure the fixture fitting to the 1/2"-14 NPS female thread on mounting device (plate, box, spike, etc.).
2. Connect 18AWG solid input wires to the 12V power source using appropriate wire connectors.
3. Secure the mounting device with the fixture to mounting surface. For HK original mounting accessory, see the individual instruction for further detail of the installation.
4. To adjust tilting position of fixture, loosen tilt adjustment screw with 9/64" hex key, aim the fixture body and tighten the screw to secure the fixture in place. Do not tighten more than necessary.

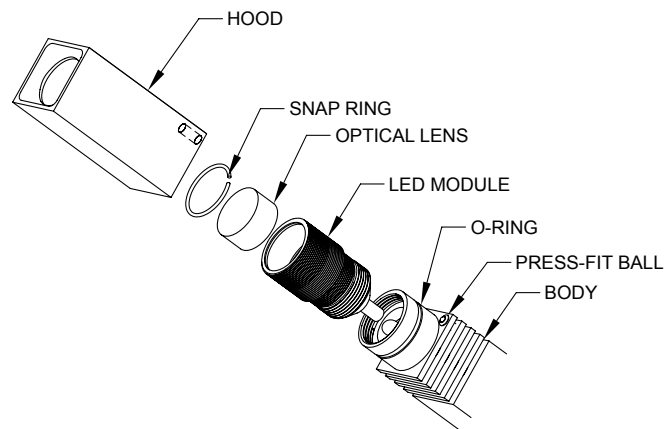


Lamp and Reflector Replacement



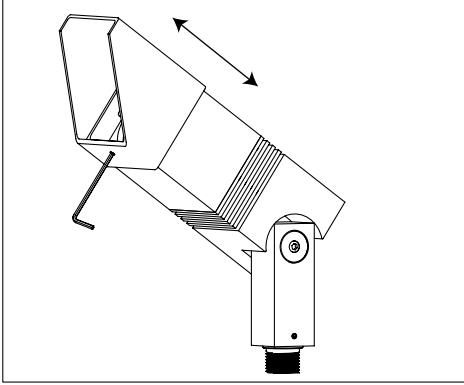
TURN OFF POWER AND KEEP FIXTURE COOL DURING MAINTENANCE SERVICE

1. Pull out the hood slowly from fixture body, and access the LED module and reflector assembly.
2. Rotate the LED module and optical lens assembly counter-clockwise to remove it from the body.
3. Remove the optical lens from the LED module.
4. Replace LED module or optical lens as necessary and install the optical lens back onto the LED module.
5. Replace the fixture hood onto the fixture body and ensure the Press-Fit Ball is aligned with the corresponding hole on the fixture hood. Make sure the O-ring is in the proper groove on the fixture body, to form a watertight seal.



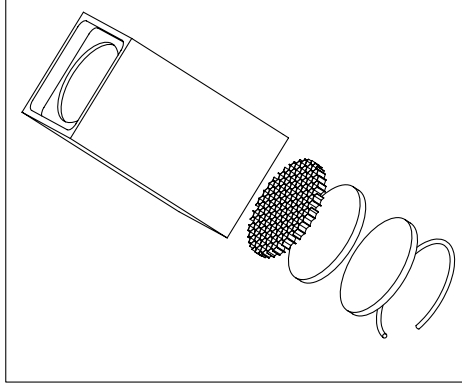
For Glare Shield Adjustment & Optical Accessory Setting

Glare Shield Setting



1. Use the 5/64" hex key to loosen the screw(8-32UNC set screw) on the bottom of the glare shield. Move the glare shield to the desired position, and tighten the screw (⚠ do not overtighten).

For Optical Accessory Setting



1. Pull out the hood slowly from fixture body.
2. The hood accepts up to 3 accessories(hexcel louver, optical lenses, dichroic color filters, etc.). Secured in place with metal snap ring.
3. Pull out the snap ring from the hood.
4. Install or replace the accessory by placing it into the hood.
5. Replace the snap ring into the hood and push it into the groove(inside of the hood).
6. Replace the fixture hood onto the fixture body and adjust the hood to make the press-fit ball into the hole on the hood. Make sure the O-ring is in the proper groove on the fixture body, to form a watertight seal.