

ZX16-WM-SQ/ZX16-WM-SQ-SOi

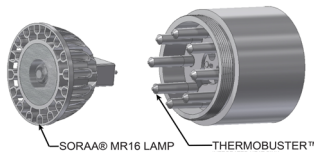
Wall Mount · ZX16 Series



Product Features

- Fixed angle wall mount up light or down light with mounting canopy.
- ETL outdoor wet location listed. IP65 standard.
- Machined from solid billet 6061-T6 corrosion resistant aluminum.
- Swivel stem insert allows for precision adjustment during installation.
- Unique weep hole design in hood allows for either upward or downward facing installation with minimum light leak.
- US patented integral SORAA® heat sink.

Integral SORAA® Heat Sink: US patented Thermobuster™ provides extra heat dissipation that reduces the lamp junction temperature by 77°F(25°C). Enables even the highest wattage SORAA® lamps to be used in an enclosed fixture without sacrificing its performance or life expectancy.



Specification

Materials: Machined from billet 6061-T6 corrosion resistant aluminum with 304 stainless steel hardware. Available in 304/316 stainless steel or 360 brass upon request.

Glare Shield: 3 optional glare shields(GSL-long, GSA-angled GSS-short) for additional glare control. See page 2 for details.

Light Source: MR16 Halogen lamp or MR16 SORAA® LED lamp. Please refer to [SORAA MR16 GU5-3](#) for lamp selection.

Voltage: 12V AC/DC. Requires remote step down transformer.

Wattage: Max. 9W for SORAA MR16 lamp with Thermobuster. Max. 50W for halogen MR16.

Lamp Base/Socket: Standard bi-pin socket for GU5.3/G4/GX5.3/GY6.35/GZ4.

Dimmability: MLV or ELV. Please refer to website for SORAA® MR16 dimmer compatibility. [SORAA MR16 dimmer compatibility](#).

Finish: Polyester powder coat on all aluminum materials with RoHS compliant procedures. Anodized finish is available. Stainless steel and brass models are provided with brushed surface.

Optical Accessories: Accepts up to 3 accessory pieces (hexcel louver, optical lenses, dichroic color filters, etc.). Secured in place with metal snap ring.

Mounting Accessory: Utilizes 2x 8-32 UNC machine screws (provided) to attach to a standard octagon recessed back box (provided by others).

Ordering Guide

EXAMPLE: ZX16-WM-SQ-SOi - GSL - 00917 - 12V- BK -LVR - CM1
ZX16-WM-SQ - GSL - 0 - 12V- BK -LVR - CM1

SERIES	VOLTAGE	OPTIONAL GLARE SHIELD	OPTIONAL LAMP	FINISH	OPTIONAL SELECT UP TO 3 OPTIC ACCESSORIES	OPTIONAL MOUNTING ACCESSORIES
ZX16-WM-SQ HALOGEN	12V	GSL GSA GSS	0--NONE XXXXX SORAA® LAMP CODE (5 DIGIT SORAA CAT. NO*)	BK BLACK POWDER COAT BZ BRONZE POWDER COAT WT WHITE POWDER COAT ABK ANODIZED BLACK ACL ANODIZED CLEAR CC CUSTOM POWDER COAT NBR NATURAL BRASS NSS NATURAL STAINLESS STEEL	LVR HEXCEL LOUVER OSL OVERALL SPREAD LENS LSL LINEAR SPREAD LENS SOL SOLITE SOFT FOCUS DF DICHROIC FILTER	See page 2 for quick reference, or "Accessories" link for detailed specification
ZX16-WM-SQ-SOi SORAA®						

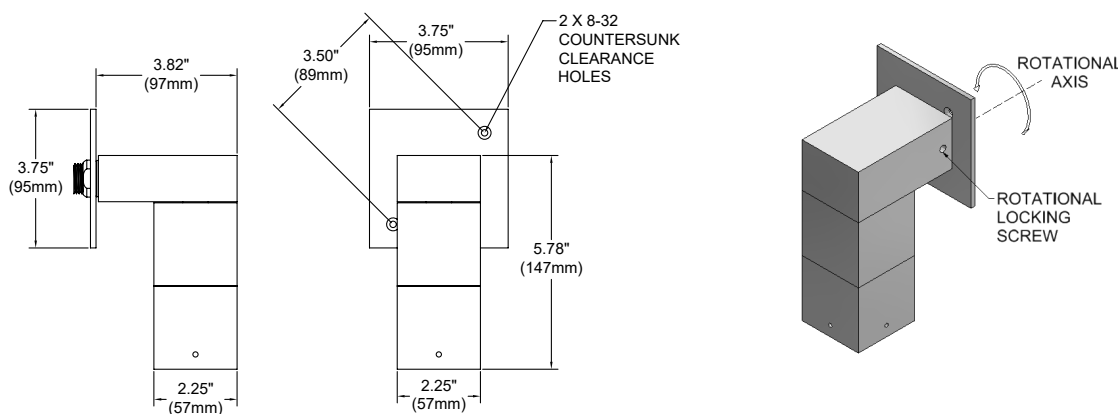
*SORAA® Lamp Selection : [SORAA MR16 GU5-3](#)

Remote Step Down Transformer (Optional). See "Accessories" link for detailed specification.

Model	Wattage(VA)	Primary Voltage(VAC)	Secondary Volt(VAC)	Dimming Method	Characters
TXM	20 40 50 60 100 150 300	120 277	12	MLV	Outdoor, Wall Mount, Compact
TXS	150 300 600	120	Multi-tap of 12, 13, 14, 15 VAC	MLV	Outdoor, Wall mount, Stainless Steel Case
IGT	50 100 300 600	120	12	MLV	in grade
TXE	60	120 230 277	12	ELV	Needs Enclosure, 6ft working distance

Product Drawings

NOTE: Specification and dimensions subject to change without notice.



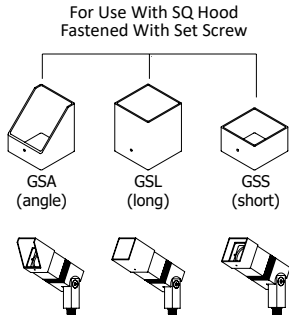
ZX16-WM-SQ-SOi

Photometry & Energy Data

All SORAA® MR16 GU5.3 base lamps can be used in this fixture.
Please refer to SORAA® website: [SORAA MR16 GU5-3](http://www.soraa.com/SORAA-MR16-GU5-3)

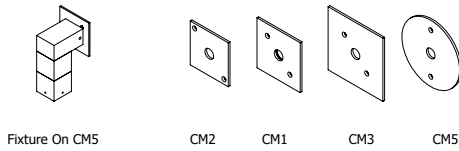
Product Options & Accessories

Optional Glare Shield

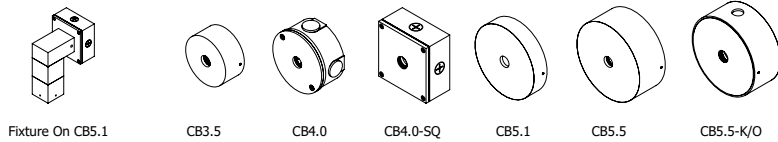


Mounting Accessories

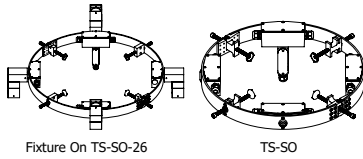
Canopy Plate:



Surface Mount Box:



Tree Mount:



Notes