

**ZXLF**  
LED Flood Light . ZXF Series



**Materials:** Machined aluminum(6061-T6)  
Stainless steel(SS304)hardware.  
**Fitting:** 1/2"-14 NPS male thread.

**Input Voltage:** 12V AC/DC  
**Wattage:** 8W max.  
**Light Source:** HK LED module.  
**Dimming:** MLV / ELV.

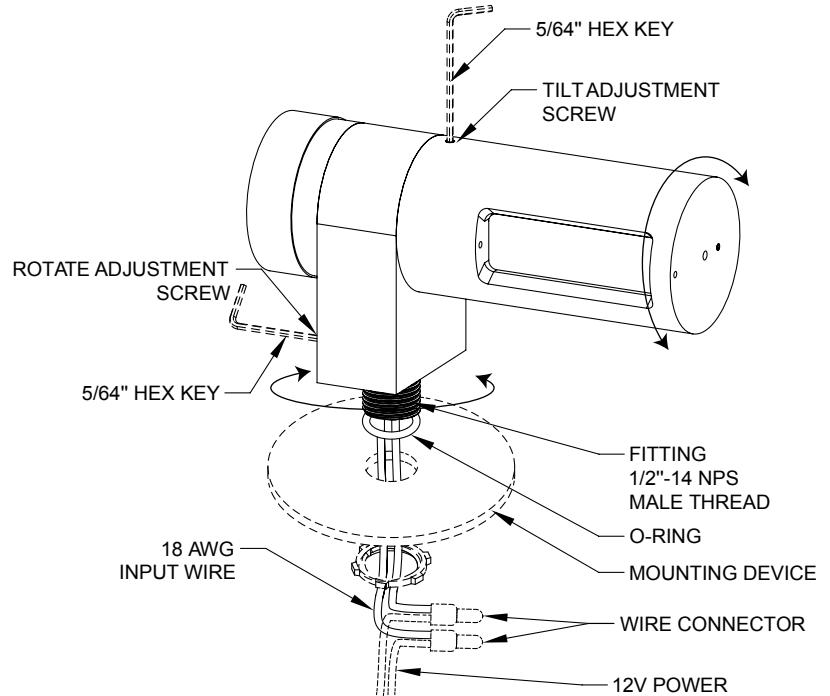
### Installation and Adjustment



**TURN OFF POWER BEFORE AND DURING WIRING TO POWER SUPPLY**

Installation/Service must be done by a qualified electrician, and compliant with NEC and Local Codes.

1. Secure the fixture fitting to the 1/2"-14 NPS female thread on mounting device (plate, box, spike, etc.).
2. Connect 18AWG input wires to the 12V power source using appropriate wire connectors.
3. Secure the mounting device with the fixture to mounting surface. For HK original mounting accessory, see the individual instruction for further detail of the installation.
4. To adjust tilting position of fixture, loosen tilt adjustment screw with 5/64" hex key, aim the fixture body and tighten the screw to secure the fixture in place. Do not tighten more than necessary.
5. To adjust rotating position of the fixture, loosen rotation adjustment screw with 5/64" hex key, aim the fixture stem and tighten the screw to secure the fixture in place. Do not tighten more than necessary.

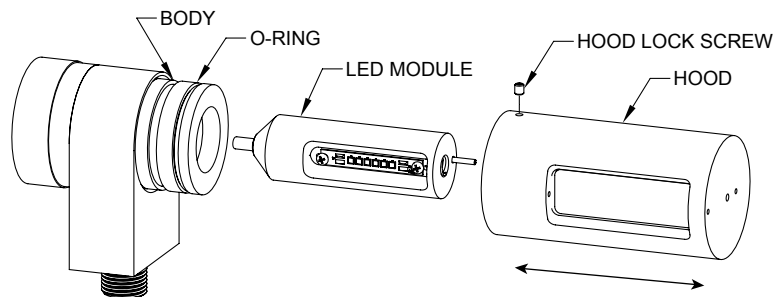


### Lamp and Reflector Replacement



**TURN OFF POWER AND KEEP FIXTURE COOL DURING MAINTENANCE SERVICE**

1. Loosen the hood lock screw with 5/64" hex key, pull out and rotate the hood from fixture body, and access the LED module assembly.
2. Pull out the LED module and replace the new LED module.
3. Replace the fixture hood onto the fixture body. Make sure the O-ring is in the proper groove on the fixture body, to form a watertight seal.
4. Tighten the hood lock screw to secure the hood in place. Do not tighten more than necessary.



## For Barn Door Adjustment



**TURN OFF POWER AND KEEP FIXTURE COOL DURING MAINTENANCE SERVICE**

1. Loosen the barn door lock screw with 9/64" hex key.
2. To adjust the barn door positions, move the barn doors to the desired position.
3. Tighten the barn door lock screw to secure the hood in place. Do not tighten more than necessary.

