

SIGN-1-SOi/SIGN-1-GU10-SOi

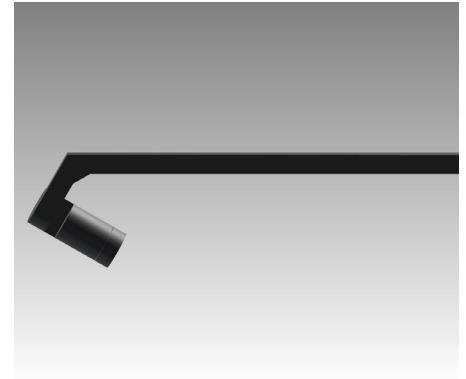
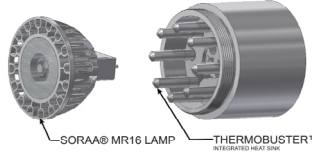
Sign Light . 16 Series



Product Features

- 7.5 W or 9W SORAA LED modular sign light.
- ETL outdoor wet location listed. IP67 standard.
- Utilize adjustable accent fixture head with directional light.
- Field changeable SORAA LED lamp and accessories.
- US patented integral SORAA® heat sink.
- 12V with GU5.3 socket, or 120V/230V with GU10 socket.

Integral SORAA® Heat Sink: US patented Thermobuster™ provides extra heat dissipation that reduces the lamp junction temperature by 77°F(25°C). Enables even the highest wattage SORAA® lamps to be used in an enclosed fixture without sacrificing its performance or life expectancy.



Specification

Materials: Machined from billet 6061-T6 corrosion resistant aluminum with 304 stainless steel hardware. Available in 304/316 stainless steel or 360 brass upon request.

Hood and Glare Shield: 3 available hood options to suit any application. 3 optional glare shields (short, long, angled) to complement each hood choice. See page 2 for details.

Light Source:
 12V--MR16 Halogen lamp or MR16 SORAA® LED lamp. Please refer to [SORAA MR16 GU5-3](#) for lamp selection.
 Line Voltage--MR16 GU10 Halogen lamp or MR16 GU10 SORAA® LED lamp. Please refer to [SORAA MR16 GU10](#) for lamp selection.

Voltage: 12V, 120 or 230V AC.

Wattage: Max. 9W for SORAA MR16 lamp with Thermobuster. Max. 50W for halogen MR16.

Lamp Base/Socket: 12V with GU5.3 socket, or 120V/230V with porcelain GU10 twist-lock socket.

Dimmability:
 12V with MLV or ELV dimming. Please refer to website for SORAA® MR16 dimmer compatibility. [SORAA MR16 dimmer compatibility.](#)
 Line voltage is with PHASE dimming. Please refer to website for SORAA® MR16 dimmer compatibility. [SORAA GU10 dimmer compatibility.](#)

Finish: Polyester powder coat on all aluminum materials with RoHS compliant procedures. Anodized finish is available. Stainless steel and brass models are provided with brushed surface.

Optical Accessories: Accepts up to 3 accessory pieces (hexcell louver, optical lenses, dichroic color filters, etc.). Secured in place with metal snap ring.

Ordering Guide

EXAMPLE: SIGN-1-GU10-SOi - A - GSL - 120V - 01109 - BK - LVR - 12" - CM5
 SIGN-1-SOi - A - GSL - 12V - 00917 - BK - LVR - 12" - CM5

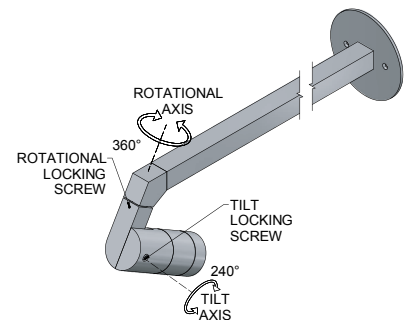
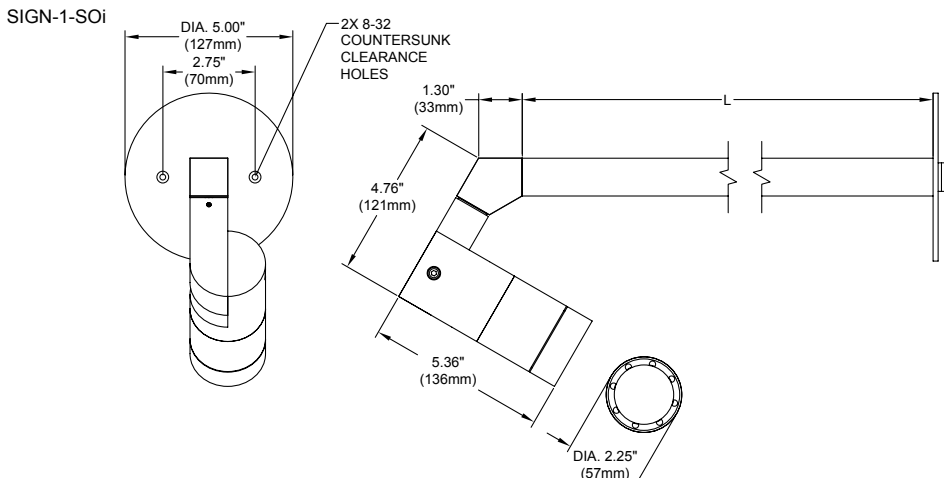
SERIES	MATERIAL	HOOD	OPTIONAL GLARE SHIELD	VOLTAGE	OPTIONAL LAMP	FINISH	OPTIONAL SELECT UP TO 3 OPTIC ACCESSORIES	EXTENSION SIZE(L)	OPTIONAL MOUNTING ACCESSORIES
SIGN-1-SOi SORAA®	BLANK Aluminum(Standard)	A A-HOOD	GSL	12V	0--NONE	Standard	LVR Hexcell Louver	12"	See page 2 for quick reference, or "Accessories" link for detailed specification.
	NBR Natural Brass	B B-HOOD	GSA		XXXXX SORAA® LAMP CODE (5 DIGIT SORAA CAT. NO*) SORAA MR16 GU5-3	BK Black Powder Coat	OSL Overall Spread Lens	24"	
	NSS Natural Stainless Steel		GSS			BZ Bronze Powder Coat	LSL Linear Spread Lens	30"	
SIGN-1-GU10-SOi SORAA®	CU Natural Copper	C C-HOOD	CGSL	120V 230V	XXXXX SORAA® LAMP CODE (5 DIGIT SORAA CAT. NO*) SORAA MR16 GU10	WT White Powder Coat Premium	SOL Solite Soft Focus		
			CGSA			ABK Anodized Black	DF Dichroic Filter		
			CGSS			ACL Anodized Clear			
						CC Custom Powder Coat			

Remote Step Down Transformer for 12V fixture(Optional).
 See "Accessories" link for detailed specification.

Model	Wattage(VA)	Primary Voltage(VAC)	Secondary Volt(VAC)	Dimming Method	Characters
TXM	20 40 60 100 150 300	120 or 277	12	MLV	Outdoor, Wall Mount, Compact
TXS	150 300 600	120	Multi-tap of 12, 13, 14, 15 VAC	MLV	Outdoor, Wall mount, Stainless Steel Case
IGT	50(120V only) 100 300 600	120 or 277	12	MLV	in grade
TXE	60	120, 230, or 277	12	ELV	Needs Enclosure, 6ft working distance

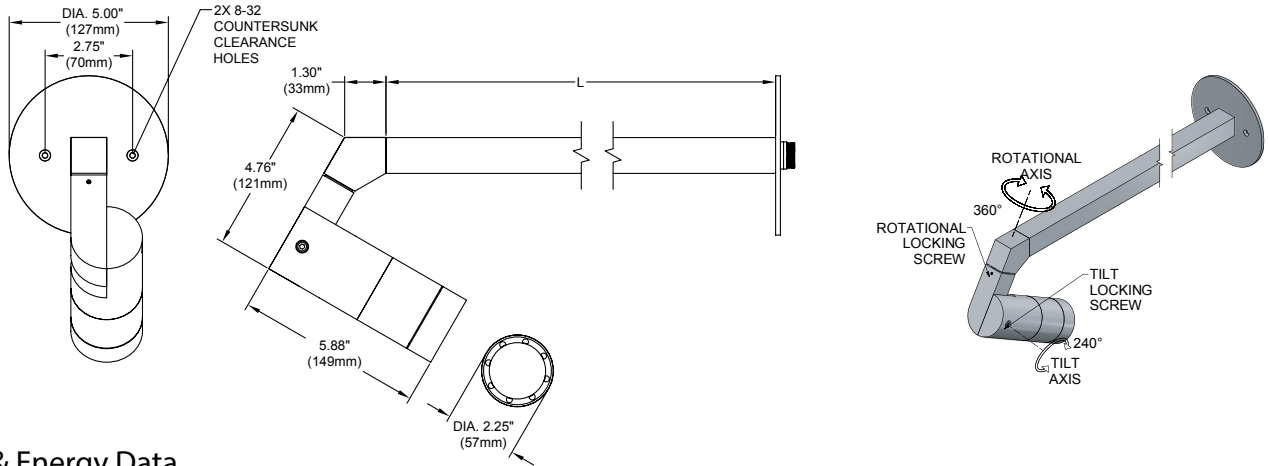
Product Drawings

NOTE: Specification and dimensions subject to change without notice.



Product Drawings

SIGN-1-GU10-SOi



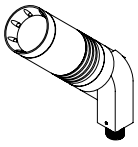
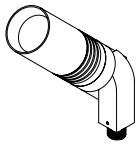
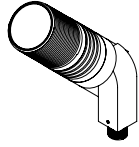
Photometry & Energy Data

All SORAA® MR16 GU5.3 base lamps can be used in this fixture.
Please refer to SORAA® website: [SORAA MR16 GU5-3](http://www.soraa.com/SORAA-MR16-GU5-3)


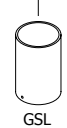





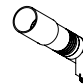
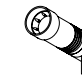

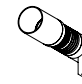

All SORAA® MR16 GU10 base lamps can be used in this fixture.
Please refer to SORAA® website: [SORAA MR16 GU10](http://www.soraa.com/SORAA-MR16-GU10)

Product Options & Accessories

Hood Options

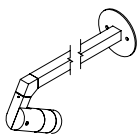
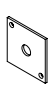


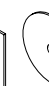
		
<p>A-HOOD Versatile hood with 8 weep holes for water drainage. Regressed lens for glare control. Suggested for general use or when fixture is aimed in an up position.</p>	<p>B-HOOD Similar to A hood but without weep holes. Regressed lens for glare control. Used in an interior or down light application.</p>	<p>C-HOOD Flush hood with machined threading on the outside for attachment of C-style glare shield, cleverly designed with hidden drainage channels.</p>

Optional Glare Shield

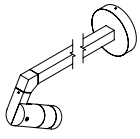


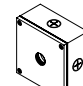



For Use With A & B Hood Fastened With Set Screw			For Use With C Hood Fastened With Locking Ring		
					
GSA (angle)	GSL (long)	GSS (short)	CGSA (angle)	CGSL (long)	CGSS (short)
					

Mounting Accessories

Canopy Plate:

				
Fixture On CM5	CM2	CM1	CM3	CM5

Surface Mount Box:

						
Fixture On CB5.1	CB3.5	CB4.0	CB4.0-SQ	CB5.1	CB5.5	CB5.5-K/O

Notes