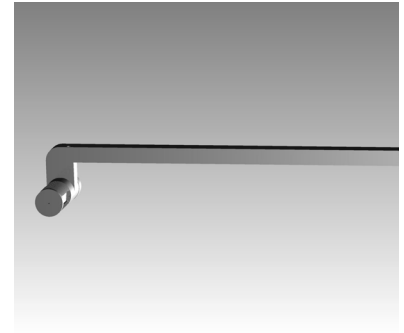


# SIGN-1-F/SIGN-1-Fi

LED Sign Light · ZXF Series



## Product Features

- 4 W or 8W LED modular sign light.
- Wide flood distribution.
- ETL outdoor wet location listed. IP67 standard.
- Utilizes adjustable flood fixture head.
- Modular components - field changeable LED module.

## Specification

**Materials:** Machined from billet 6061-T6 corrosion resistant aluminum with 304 stainless steel hardware. Available in 304/316 stainless steel or 360 brass upon request.

**Optional Barn Door:** Optional barn doors for glare control and precision cut off. See page 2 for details.

**Voltage:** 12V AC or line voltage.  
12V model requires remote step down transformer.  
Line voltage models come with integral transformer.

**Wattage:** 4 or 8W HK LED.

**Light Source:** CRI 83. Available in CRI95 upon request. The chromaticity range is within a 3-step McAdam Ellipse. Standard CCT options are 2700K, 3000K, 4000K.

**Lamp Base / Socket:** Innovative cone-shaped lamp base and receptacle socket maximize the surface contact area to dissipate heat more effectively. See "Resources" for details.

**Dimmability:**  
12V -- MLV or ELV depending on the transformer used.  
Line voltage -- 0-10V dimming, phase dimming only @ 120V.

**Finish:** Polyester powder coat on all aluminum materials with RoHS compliant procedures. Anodized finish is available. Stainless steel and brass models are provided with brushed surface.

EXAMPLE: SIGN-1-Fi - BD - UNV - 8 - 27 - BK - 12" - CM5  
SIGN-1-F - BD - 12V - 8 - 27 - BK - 12" - CM5

## Ordering Guide

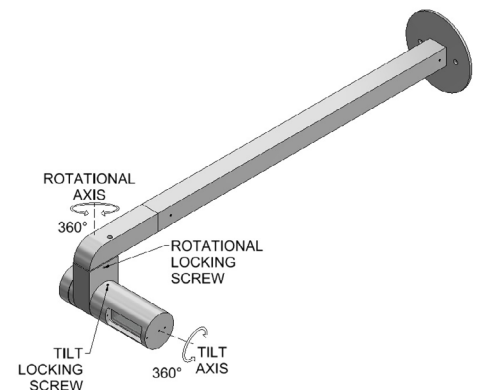
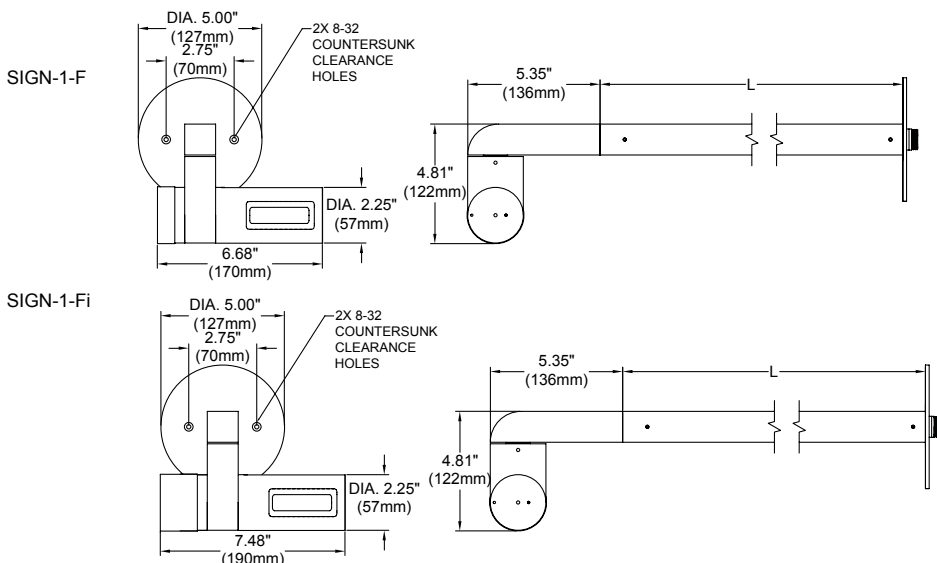
SERIES	MATERIAL	OPTIONAL GLARE SHIELD	VOLTAGE	WATTAGE	CCT	FINISH	EXTENSION SIZE(L)	OPTIONAL MOUNTING ACCESSORIES
SIGN-1-F	BLANK Aluminum(Standard)	BD	12V	4 4W	27 2700K	Standard	12"	See page 2 for quick reference, or "Accessories" link for detailed specification.
	NBR Natural Brass			8 8W	30 3000K	BK Black Powder Coat	24"	
SIGN-1-Fi	NSS Natural Stainless Steel		UNV (120-277V)		40 4000K	BZ Bronze Powder Coat	30"	
	CU Natural Copper				WT White Powder Coat			
						Premium ABK Anodized Black ACL Anodized Clear CC Custom Powder Coat		

Remote Step Down Transformer for 12V fixture(Optional).  
See "Accessories" link for detailed specification.

Model	Wattage(VA)	Primary Voltage(VAC)	Secondary Volt(VAC)	Dimming Method	Characters
TXM	20 40 60 100 150 300	120 or 277	12	MLV	Outdoor, Wall Mount, Compact
TXS	150 300 600	120	Multi-tap of 12, 13, 14, 15 VAC	MLV	Outdoor, Wall mount, Stainless Steel Case
IGT	50(120V only) 100 300 600	120 or 277	12	MLV	In-grade
TXE	60	120, 230, or 277	12	ELV	Needs Enclosure, 6ft working distance

## Product Drawings

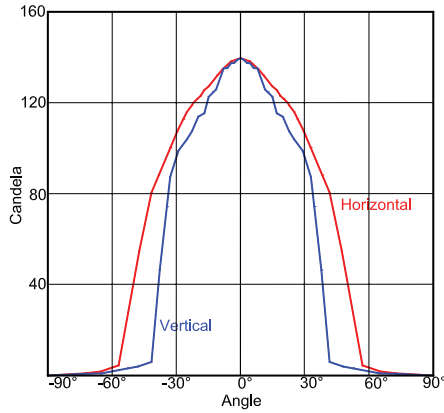
NOTE: Specification and dimensions subject to change without notice.



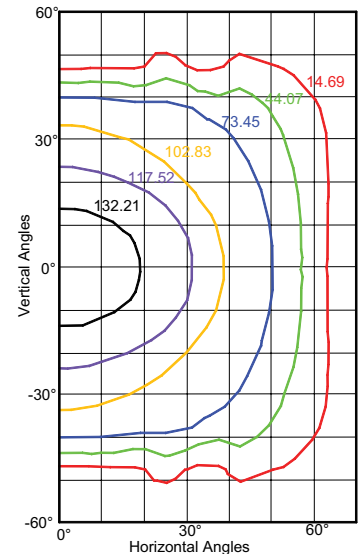
**Photometry & Energy Data**

MODEL	SIGN-1-F(i)--8W
Input Power	7.6W
Color Temperature (CCT)	3000K
Color Rendering Index (Ra)	88
Horizontal Beam Angle	100.5°
Vertical Beam Angle	79.8°
Max. Candelpower	147cd
Delivered Lumen	262lm
Efficacy	34 lm/W

**Axial Candela Display**



**Isocandela Curves**



Maximum Candela = 146.9 Located at Horizontal Angle = 0°, Vertical Angle = 0°  
50% Maximum Candela = 73.45  
10% Maximum Candela = 14.69

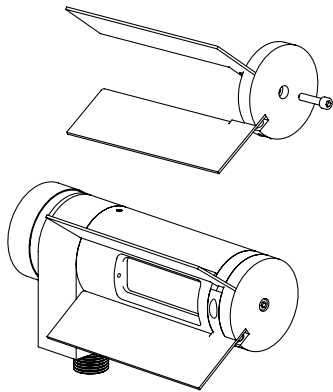
Wattage	Multiplier
4Watt	0.50
8Watt	1.00

Color Temp.	Multiplier
2700K	0.97
3000K	1.00
4000K	1.05

**Product Options & Accessories**

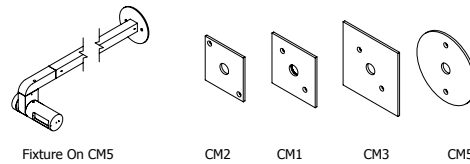
**Optional Glare Shield**

Barn Door For ZXF Series  
Fastened With Set Screw

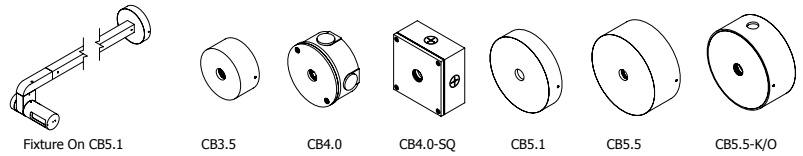


**Mounting Accessories**

**Canopy Plate:**



**Surface Mount Box:**



**Notes**