

ZXL16i-IP

LED Image Projector . ZX16 Series



Materials: Machined aluminum(6061-T6)
Stainless steel(SS304)hardware.
Fitting: 1/2"-14 NPS male thread.

Input Voltage: 120, 230 or 277V AC.
Wattage: 7,10 or 14W.
Light Source: HK LED module.
Dimming: Phase dimming @120V or
0-10V dimming@120~277V.

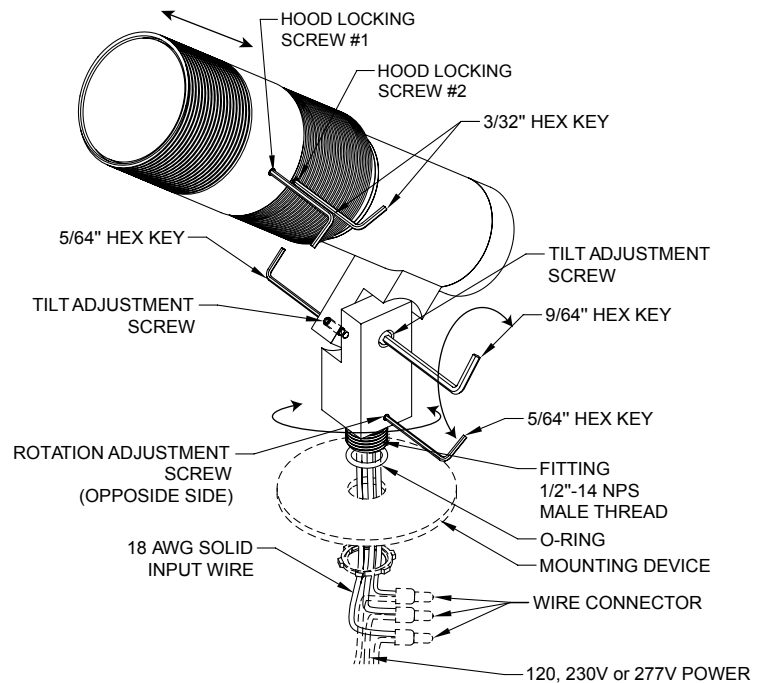
Installation and Adjustment



TURN OFF POWER BEFORE AND DURING WIRING TO POWER SUPPLY

Installation/Service must be done by a qualified electrician, and compliant with NEC and Local Codes.

1. Secure the fixture fitting to the 1/2"-14 NPS female thread on mounting device (plate, box, spike, etc.).
2. Connect 18AWG solid input wires to the 120V, 230V or 277V power source using appropriate wire connectors.
3. Secure the mounting device with the fixture to mounting surface. For HK original mounting accessory, see the individual instruction for further detail of the installation.
4. To adjust tilting position of fixture, loosen tilt adjustment screw with 9/64" & 5/64" hex key, aim the fixture body and tighten the screw to secure the fixture in place. Do not tighten more than necessary.
5. To adjust rotating position of the fixture, loosen rotation adjustment screw with 5/64" hex key, aim the fixture stem and tighten the screw to secure the fixture in place. Do not tighten more than necessary.
6. Loosen hood locking screw #1 slightly, pull or push front hood to focus image. Tighten hood locking screw #1 to secure focused image in place.
7. Loosen hood locking screw #2 slightly, rotate middle hood to adjust image to desire position. Tighten hood locking screw #2 to secure rotated image in place.

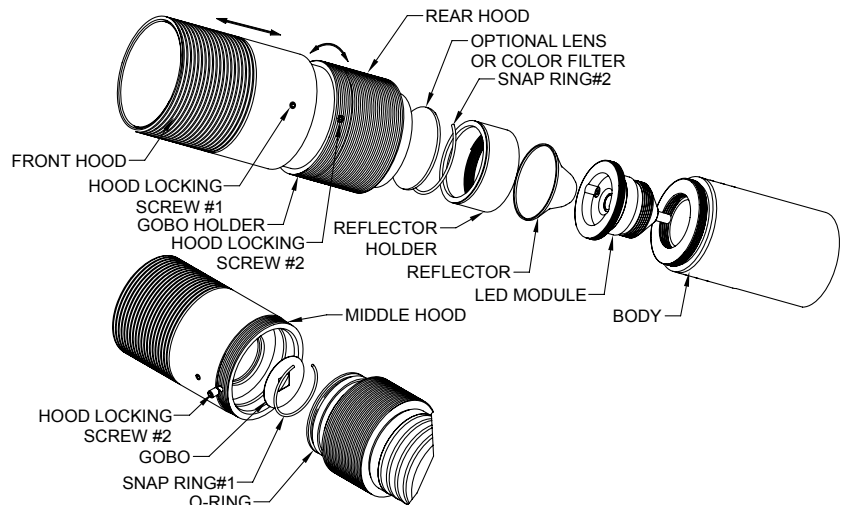


Lamp and Reflector Replacement



TURN OFF POWER AND KEEP FIXTURE COOL DURING MAINTENANCE SERVICE

1. Rotate rear hood counter-clockwise to remove it from fixture body, and access the LED module and reflector assembly.
2. Rotate the LED module and reflector assembly counter-clockwise to remove it from the body.
3. Remove the reflector from the LED module.
4. Replace LED module or reflector as necessary and install the reflector back onto the LED module.
5. Replace the fixture hood onto the fixture body. Make sure the O-ring is in the proper groove on the fixture body, to form a watertight seal.



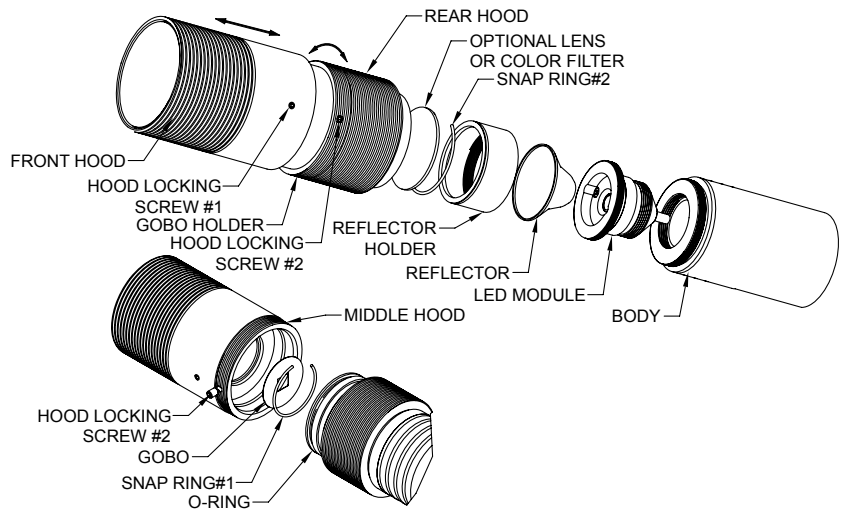
Install & Replace GOBO, Additional Lens Or Color Filter



TURN OFF POWER AND KEEP FIXTURE COOL DURING MAINTENANCE SERVICE

Install & Replace GOBO

1. Loosen locking screw #2 and pull middle and front hood out from rear hood.
2. Remove snap ring#1 and place the GOBO into appropriate groove. Replace snap ring #1.
3. Replace middle and front hood onto rear hood, tighten hood locking screw #2. Make sure the O-ring is in the proper groove on the fixture body, to form a watertight seal.

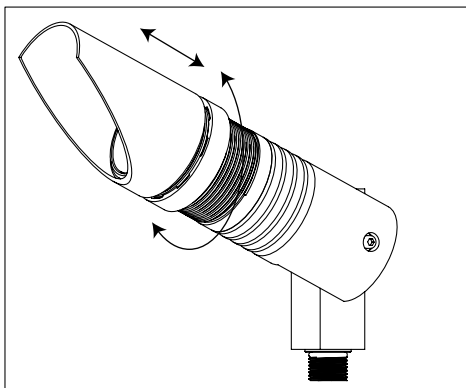


Install & Replace Additional Lens Or Color Filter

1. Rotate rear hood counter-clockwise to remove it from fixture body.
2. Place additional lens or color filter into hood, place snap ring #2 to lock additional lens and color filter.
3. Replace the fixture hood onto the fixture body. Make sure the O-ring is in the proper groove on the fixture body, to form a watertight seal.

For Glare Shield Adjustment

Glare Shield Setting



1. Rotate the locking ring clockwise to move to the desired position.
2. Rotate the glare shield clockwise and move to the locking ring.
3. Lock the glare shield in place by rotating the locking ring counter-clockwise.