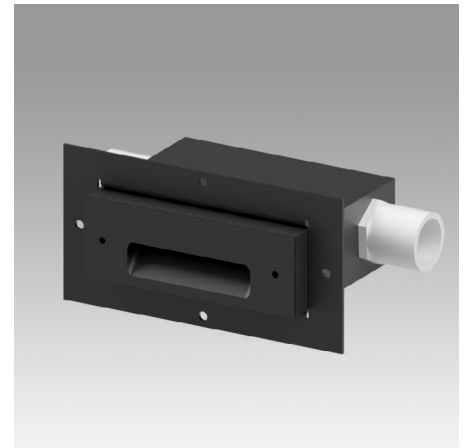


# ZXL-SL-FM/ZXLI-SL-FM

LED Step Marker . ZXL-SL Series



## Product Features

- Wall light. Mounts flush with wall.
- ETL outdoor wet location listed. IP65 standard.
- Recessed LED light source with minimum glare.
- Machined from solid billet 6061-T6 corrosion resistant aluminum.

## Specification

**Materials:** Machined from billet 6061-T6 corrosion resistant aluminum with 304 stainless steel hardware. Available in 304/316 stainless steel or 360 brass upon request.

**Voltage:** 12V AC/DC. Requires remote step down transformer. Line Voltage (120~277V) is with integral LED driver.

**Wattage:** 4 W HK LED.

**Light Source:** CRI 83. Available in CRI95 upon request. The chromaticity range is within a 3-step McAdam Ellipse. Standard CCT options are 2700K, 3000K, 4000K.

**Dimmability:**  
12V -- MLV or ELV  
120~277V -- Non dimmable .

**Finish:** Polyester powder coat on all aluminum materials with RoHS compliant procedures. Anodized finish is available. Stainless steel and brass models are provided with brushed surface.

**Lens:** Assembled with soft focus diffuse lens.

EXAMPLE: ZXL-SL-FM - 12V - 4 - 27 - BK  
ZXLI-SL-FM - UNV - 4 - 27 - BK

## Ordering Guide

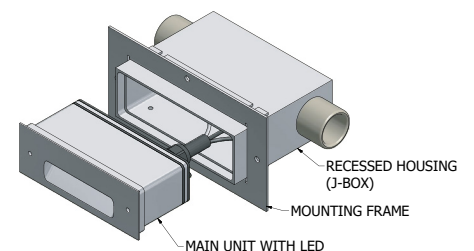
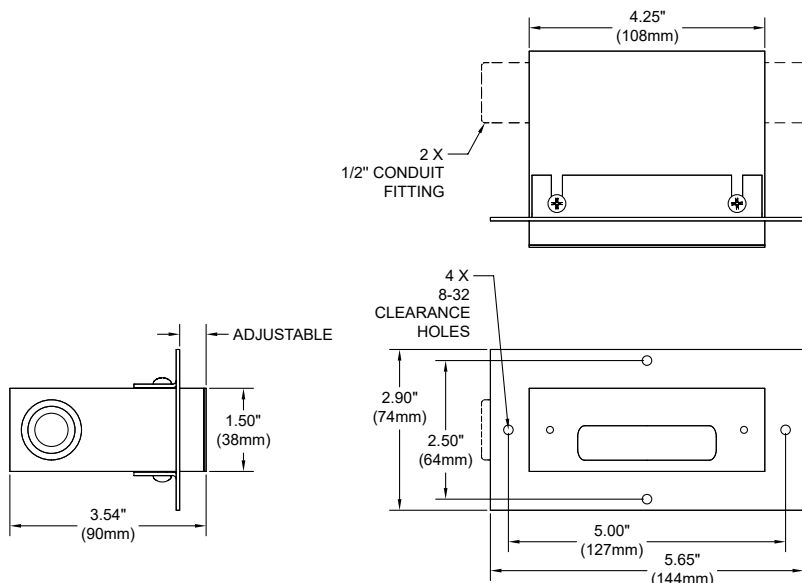
SERIES	MATERIAL	VOLTAGE	WATTAGE	CCT	FINISH
ZXL-SL-FM	BLANK Aluminum(Standard)	12V	4 4W	27 2700K	Standard
ZXLI-SL-FM	NBR Natural Brass	UNV 120V~277V	4 4W	30 3000K	BK Black Powder Coat
	NSS Natural Stainless Steel			40 4000K	BZ Bronze Powder Coat
	CU Natural Copper				WT White Powder Coat
					Premium ABK Anodized Black ACL Anodized Clear CC Custom Powder Coat

Remote Step Down Transformer for 12V fixture(Optional).  
See "[Accessories](#)" link for detailed specification.

Model	Wattage(VA)	Primary Voltage(VAC)	Secondary Volt(VAC)	Dimming Method	Characters
TXM	20 40 60 100 150 300	120 or 277	12	MLV	Outdoor, Wall Mount, Compact
TXS	150 300 600	120	Multi-tap of 12, 13, 14, 15 VAC	MLV	Outdoor, Wall mount, Stainless Steel Case
IGT	50(120V only) 100 300 600	120 or 277	12	MLV	In-grade
TXE	60	120, 230, or 277	12	ELV	Needs Enclosure, 6ft working distance

## Product Drawings

NOTE: Specification and dimensions subject to change without notice.

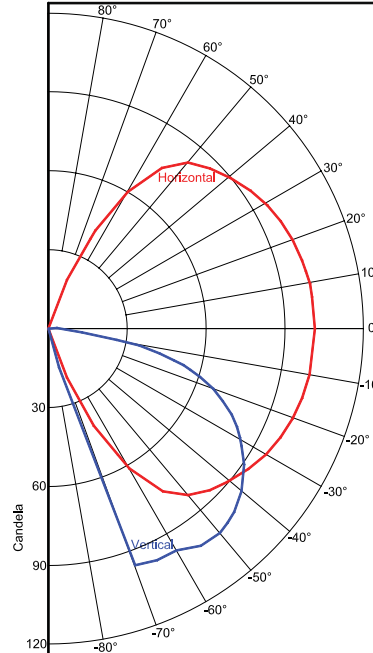


## Photometry & Energy Data

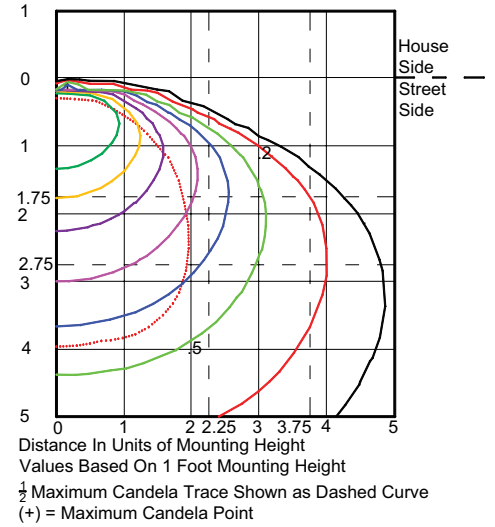
MODEL ZXL(i)-SL-FM-4W

Input Power	4.3W
Color Temperature (CCT)	3000K
Color Rendering Index (Ra)	84
Maximum Candela Angle	0° H, -50° V
Max. Candlepower	101cd
Delivered Lumens	135lm
Efficacy	31lm/W

Polar Graph - Intensity



Isofootcandle Lines of Horizontal Illuminancy



CCT Multiplier Table

Color Temp.	Multiplier
2700K	0.97
3000K	1.00
4000K	1.05

## Notes