

# ZXL-SLS-5.5-WP

LED Step Marker . ZXL-SL Series



## Product Features

- Recessed wall light.
- Recessed LED light source with minimum glare.
- ETL outdoor wet location listed. IP65 standard.
- Face plate is machined from solid billet 6061-T6 corrosion resistant aluminum.
- Line voltage input with integral LED driver in fixture housing.
- Available in turtle friendly AMBER model.

## Specification

**Materials:** Face plate is machined from billet 6061-T6 corrosion resistant aluminum. Available in 304/316 stainless steel or 360 brass upon request. 304 stainless steel hardware.

**Light Source:** CRI 83. Available in CRI95 upon request. The chromaticity range is within a 3-step McAdam Ellipse. Standard CCT options are 2700K, 3000K, 4000K.

**Finish:** Polyester powder coat on all aluminum materials with RoHS compliant procedures. Anodized finish is available. Stainless steel and brass models are provided with brushed surface.

**Voltage:** 120, 230 or 277V AC with integral LED driver.

**Dimmability:** Phase dimmable @120V.

**Lens:** Soft focus lens (SOLITE lens).

**Wattage:** 5 or 8W HK LED. 5W AMBER LED.

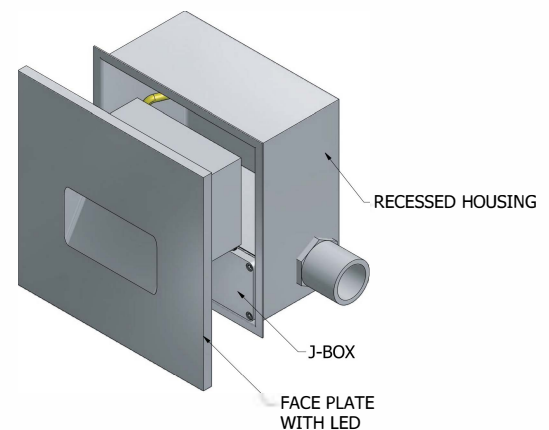
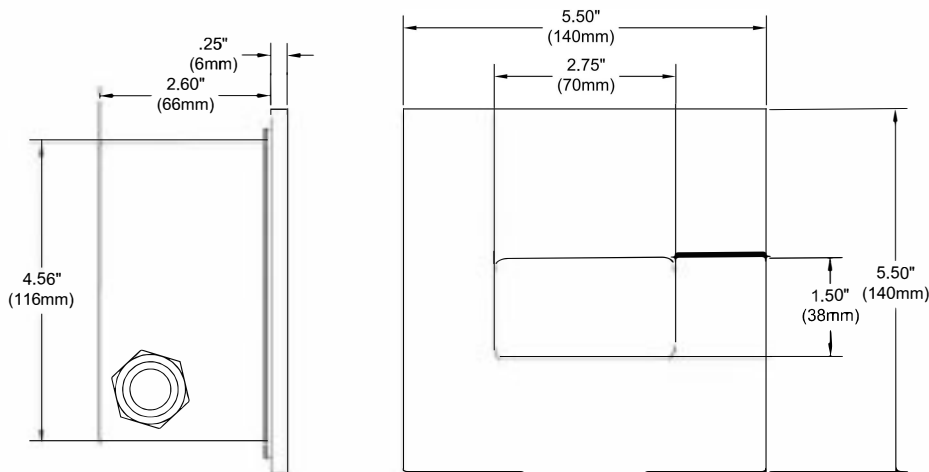
## Ordering Guide

EXAMPLE: ZXL-SLS-5.5-WP - UNV - 5 - 27 - BK

SERIES	MATERIAL	VOLTAGE	WATTAGE	CCT	FINISH			
ZXL-SLS-5.5-WP	-	-	-	-	-			
BLANK	Aluminum(Standard)	120V	120V (Phase Control)	5	5W	27	2700K	Standard
NBR	Natural Brass	UNV	120~277V (0-10V)	8	8W	30	3000K	BK Black Powder Coat
NSS	Natural Stainless Steel					40	4000K	BZ Bronze Powder Coat
CU	Natural Copper							WT White Powder Coat
				AMB	5W			Premium
								ABK Anodized Black
								ACL Anodized Clear
								CC Custom Powder Coat

## Product Drawings

NOTE: Specification and dimensions subject to change without notice.

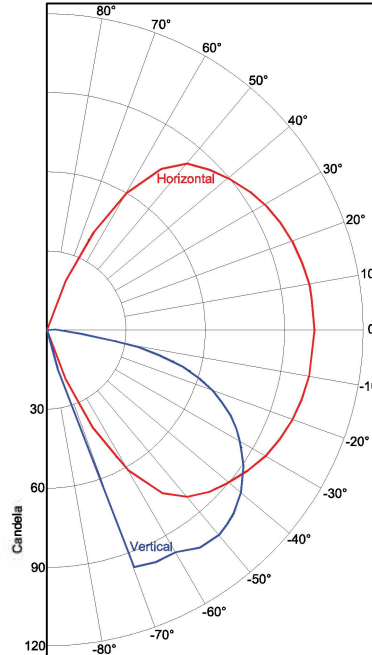


## Photometry & Energy Data

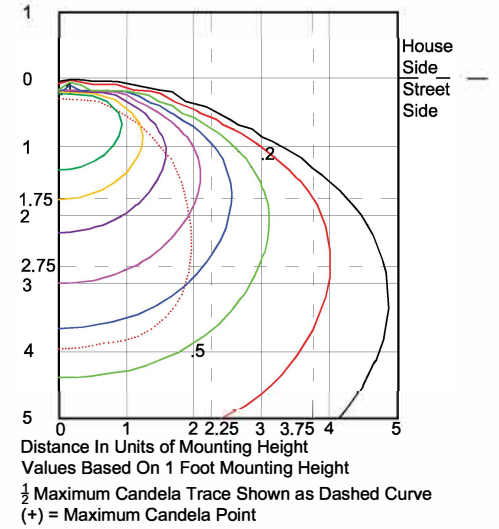
MODEL ZXL-SLS-5.5-WP-4W

Input Power	4.3W
Color Temperature (CCT)	3000K
Color Rendering Index (Ra)	84
Maximum Candela Angle	0° H, -50° V
Max. Candlepower	101cd
Delivered Lumens	135lm
Efficacy	31lm/W

Polar Graph - Intensity



Isofootcandle Lines of Horizontal Illuminosity



Wattage Multiplier Table

Wattage	Multiplier
4Watt	1.00
6Watt	1.25

CCT Multiplier Table

Color Temp.	Multiplier
2700K	0.97
3000K	1.00
4000K	1.05

## Notes

