

# ZXL08-IIGM

LED Step Marker . ZXLSeries



## Product Features

- Compact Recessed fixture for wall, or in grade installation. Perfect for step light, in grade, or any application with a small marker light.
- ETL outdoor wet location listed. IP65 standard.
- Machined from solid billet 6061-T6 corrosion resistant aluminum.
- Modular components - field changeable LED module & beam spread reflectors.

## Specification

**Materials:** Machined from billet 6061-T6 corrosion resistant aluminum with 304 stainless steel hardware. Available in 304/316 stainless steel or 360 brass upon request.

**Voltage:** 12V AC/DC. Requires remote step down transformer.

**Wattage:** 3W HK LED.

**Light Source:** CRI 83. Available in CRI95 upon request. The chromaticity range is within a 3-step McAdam Ellipse. Standard CCT options are 2700K, 3000K, 4000K.

**Lamp Base / Socket:** Innovative cone-shaped lamp base and receptacle socket maximize the surface contact area to dissipate heat more effectively. See "Resources" for details.

**Dimmability:** MLV or ELV.

**Finish:** Polyester powder coat on all aluminum materials with RoHS compliant procedures. Anodized finish is available. Stainless steel and brass models are provided with brushed surface.

**Optical Accessories:** Accepts up to one accessory (hexcel louver, optical lenses, dichroic color filters, etc.).

## Ordering Guide

EXAMPLE: ZXL08-IIGM- 12V - 3W - 27- 21- BK - LVR

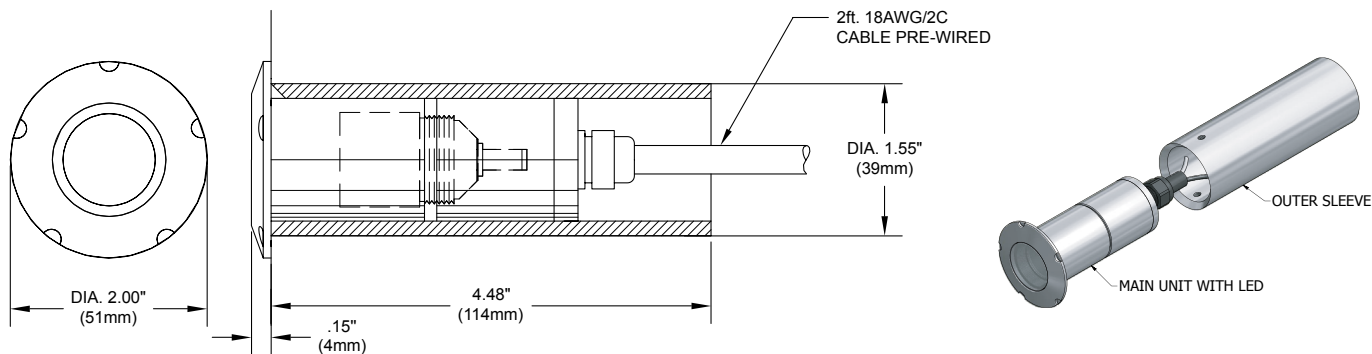
SERIES	MATERIAL	VOLTAGE	WATTAGE	CCT	OPTICS	FINISH	OPTIONAL, SELECT UP TO 1 OPTIC ACCESSORIES
ZXL08-IIGM		12V					
	BLANK Aluminum(Standard) NBR Natural Brass NSS Natural Stainless Steel CU Natural Copper		3 3W	27 2700K 30 3000K 40 4000K	19 19° 26 26° 51 51°	Standard BK Black Powder Coat BZ Bronze Powder Coat WT White Powder Coat Premium ABK Anodized Black ACL Anodized Clear CC Custom Powder Coat	LVR Hexcel Louver OSL Overall Spread Lens LSL Linear Spread Lens SOL Solite Soft Focus DF Dichroic Filter

Remote Step Down Transformer (Optional).  
See "[Accessories](#)" link for detailed specification.

Model	Wattage(VA)	Primary Voltage(VAC)	Secondary Volt(VAC)	Dimming Method	Characters
TXM	20 40 60 100 150 300	120 or 277	12	MLV	Outdoor, Wall Mount, Compact
TXS	150 300 600	120	Multi-tap of 12, 13, 14, 15 VAC	MLV	Outdoor, Wall mount, Stainless Steel Case
IGT	50(120V only) 100 300 600	120 or 277	12	MLV	in grade
TXE	60	120, 230, or 277	12	ELV	Needs Enclosure, 6ft working distance

## Product Drawings

NOTE: Specification and dimensions subject to change without notice.

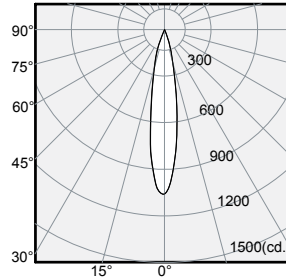


## Photometry & Energy Data

MODEL ZXL08-IIGM-3W-N

Input Power	2.97W
Color Temperature (CCT)	3000K
Color Rendering Index (Ra)	80
Beam Angle	18.4°
Max. Candlpower	1037cd
Delivered Lumens	171lm
Efficacy	57lm/W

Polar Graph - Intensity



Cone of Light - Illuminance

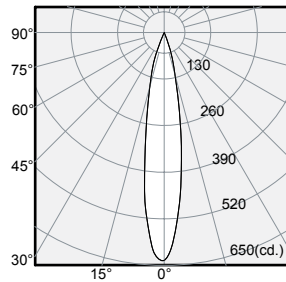
Center Beam (fc)	Beam Diameter	Distance
259	0.6'	2.0'
65	1.3'	4.0'
29	1.9'	6.0'
16	2.6'	8.0'
10	3.2'	10.0'

1/2 Beam Angle: 18.4°

MODEL ZXL08-IIGM-3W-M

Input Power	2.98W
Color Temperature (CCT)	3000K
Color Rendering Index (Ra)	80
Beam Angle	25.4°
Max. Candlpower	636cd
Delivered Lumen	169lm
Efficacy	56lm/W

Polar Graph - Intensity



Cone of Light - Illuminance

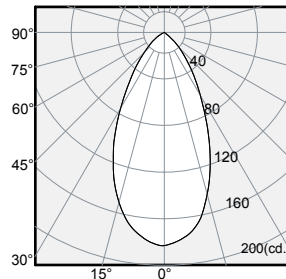
Center Beam (fc)	Beam Diameter	Distance
159	0.9'	2.0'
40	1.8'	4.0'
17	2.7'	6.0'
10	3.6'	8.0'
6	4.5'	10.0'

1/2 Beam Angle: 25.4°

MODEL ZXL08-IIGM-3W-W

Input Power	3.0W
Color Temperature (CCT)	3000K
Color Rendering Index (Ra)	80
Beam Angle	50.9°
Max. Candlpower	183cd
Delivered Lumen	157lm
Efficacy	53lm/W

Polar Graph - Intensity



Cone of Light - Illuminance

Center Beam (fc)	Beam Diameter	Distance
46	1.9'	2.0'
11	3.8'	4.0'
5	5.7'	6.0'
3	7.6'	8.0'
2	9.5'	10.0'

1/2 Beam Angle: 50.9°

Wattage Multiplier Table

Wattage	Multiplier
3Watt	1.00

CCT Multiplier Table

Color Temp.	Multiplier
2700k	0.96
3000k	1.00
4000k	1.03

## Notes