

# BD

ACCESSORIES | GLARE SHIELD / BARNDOORS

## FEATURES

- Barndoors for additional glare reduction, or control of light spread.
- For use with square area accent fixtures.
- Machined from solid billet 6061-T6 corrosion resistant aluminum.



Square Area Accent Barndoors: *BD-NBR*

## SPECIFICATIONS

### Materials

Machined from solid billet 6061-T6 corrosion-resistant aluminum with 316 stainless steel hardware. Available in 316 stainless steel or 360 brass upon request.

### Finish

Aluminum materials are anodized and then powder coated for a robust, marine-grade finish. Stainless steel and brass models are provided with brushed surface.

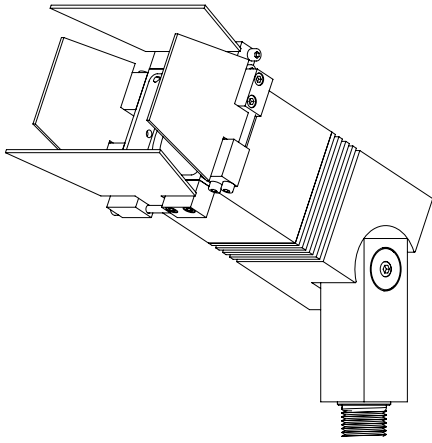
## ORDERING GUIDE

EXAMPLE: **BD-NBR**

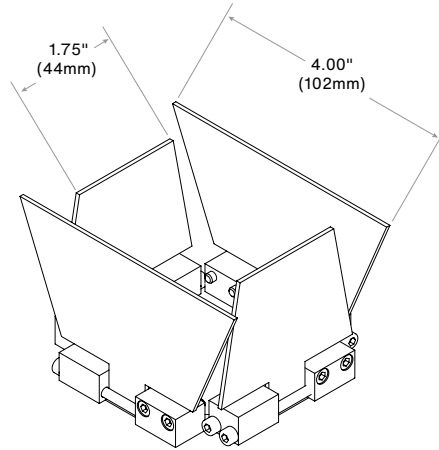
MODEL	MATERIAL / FINISH	
<b>BD</b>		
Barndoors	<b>ABL</b>	Aluminum Black
	<b>ABR</b>	Aluminum Bronze
	<b>AWH</b>	Aluminum White
	<b>AAC</b>	Aluminum Anodized Clear <sup>1</sup>
	<b>NBR</b>	Natural Brass <sup>1</sup>
	<b>NCU</b>	Natural Copper <sup>1</sup>
	<b>NSS</b>	Natural Stainless Steel <sup>1</sup>
	<b>CCC</b>	Custom Finish <sup>1</sup>

<sup>1</sup> Consult factory for specialty finish quoting and lead times

**PRODUCT DRAWINGS**



**BD**  
on Fixture



**Notes:**

Empty rectangular box for notes.