

TM120-TS

ACCESSORIES | MOUNTING / Tree Mount

FEATURES

- Tree mounting box with ample wiring compartment.
- Custom designed aesthetic buckle provides firm attachment.
- Machined from solid billet 6061-T6 corrosion resistant aluminum.
- Comes with flexible stainless steel strap or nylon strap.
- For 12V installation.



Tree Mounting Box with Strap: TM120-TS-BZ-SST

SPECIFICATIONS

Materials

Strap: Stainless Steel or nylon.
 Tree Mounting Box: Cast aluminum weatherproof box.
 Hardware: Stainless Steel 304.
 Black Liquid Tight Cord Grip.

Finish

Polyester powder coat with RoHS compliant procedures.

Mounting

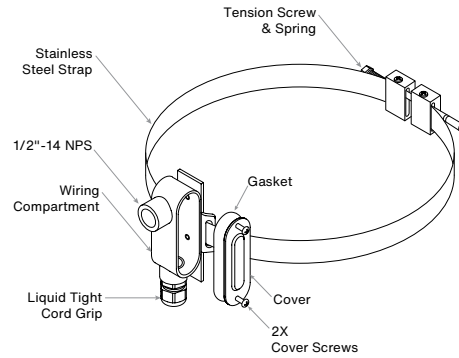
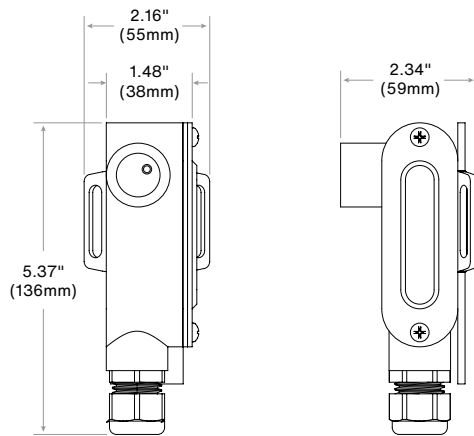
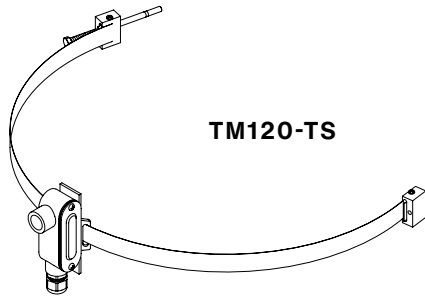
Accepts all 1/2"-14 NPS male fitting.

ORDERING GUIDE

EXAMPLE: **TM120-TS-4-BZ-SST**

SERIES	MOUNT QUANTITY	FINISH	STRAP MATERIAL								
TM120-TS	<input type="text"/>	<input type="text"/>	<input type="text"/>								
Tree Mount Series Tree Mounting Box For 12V Installation		<table border="1"> <tr> <td>BZ</td> <td>Bronze Powder Coat</td> </tr> <tr> <td>BK</td> <td>Black Powder Coat</td> </tr> </table>	BZ	Bronze Powder Coat	BK	Black Powder Coat	<table border="1"> <tr> <td>SST</td> <td>Stainless Steel</td> </tr> <tr> <td>NYL</td> <td>Black Nylon</td> </tr> </table>	SST	Stainless Steel	NYL	Black Nylon
BZ	Bronze Powder Coat										
BK	Black Powder Coat										
SST	Stainless Steel										
NYL	Black Nylon										

PRODUCT DRAWINGS



Notes:

