

TM120C-SM-HB

ACCESSORIES | MOUNTING / Tree Mount

FEATURES

- Compact Tree mounting box with weatherproof wiring compartment.
- Powder coat finish over cast aluminum structure.
- Provide with 3 hanger bolts for attachment.
- For 12V installation.



Compact Tree Mounting Box: TM120C-SM-HB-BZ

SPECIFICATIONS

Materials

Cast aluminum chamber with nylon liquid tight cord grip.

Finish

Polyester powder coat with RoHS compliant procedures.

Mounting

Accepts all 1/2"-14 NPS male fitting.

Attachment

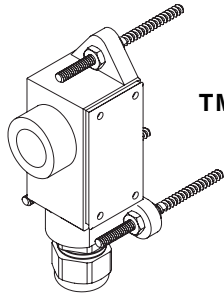
Standard with 3 stainless steel hanger bolts, allows growing space between the fixture and tree bark.

ORDERING GUIDE

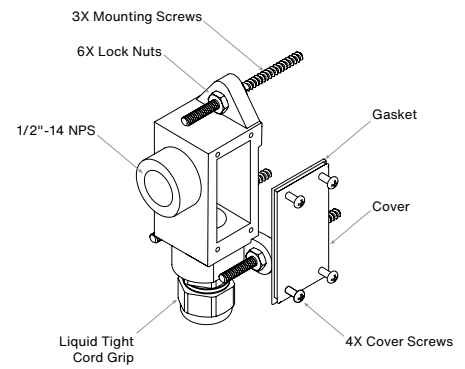
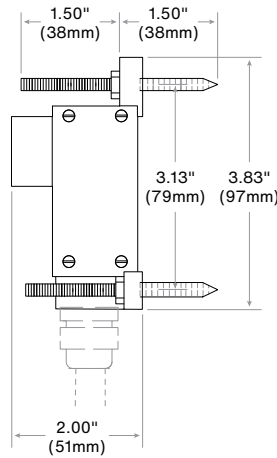
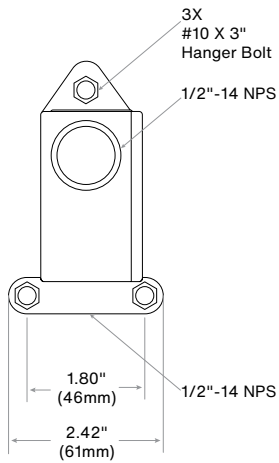
EXAMPLE: **TM120C-SM-HB-BZ**

SERIES / MODEL	FINISH	
TM120C-SM-HB Tree Mount Series Compact Tree Mounting Box For 12V Installation		
	BZ	Bronze Powder Coat
	BK	Black Powder Coat

PRODUCT DRAWINGS



TM120C-SM-HB



Notes:

