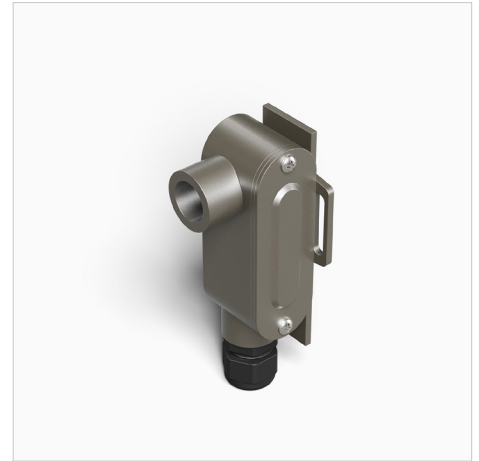


# TM120C

ACCESSORIES | MOUNTING / Tree Mount

## FEATURES

- Tree mounting box with ample wiring compartment.
- Machined from solid billet 6061-T6 corrosion resistant aluminum.
- Provide with 2 wood screws or 2 hanger bolts for attachment.
- For 12V installation.



Tree Mounting Box: TM120C-BZ

## SPECIFICATIONS

### Materials

Cast aluminum weatherproof box.  
Black Liquid Tight Cord Grip.  
Machined aluminum back plate.

### Mounting

Accepts all 1/2"-14 NPS male fitting.  
Custom back plate allows attachment to the tree using 2 wood screws.

### Finish

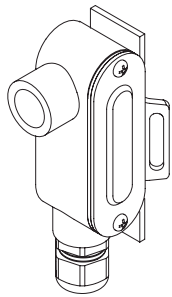
Polyester powder coat with RoHS compliant procedures.

## ORDERING GUIDE

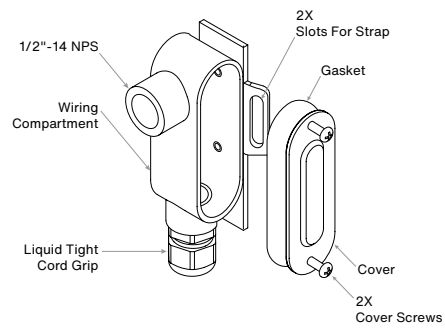
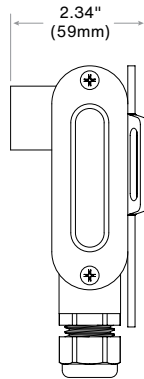
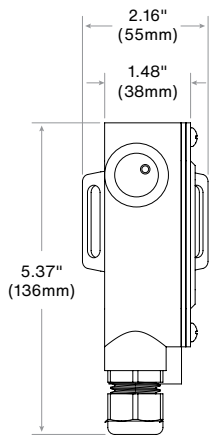
EXAMPLE: **TM120C-BZ**

SERIES	FINISH	
<b>TM120C</b> Tree Mount Series Tree Mounting Box For 12V Installation		
	<b>BZ</b>	Bronze Powder Coat
	<b>BK</b>	Black Powder Coat

**PRODUCT DRAWINGS**



**TM120C**



**Notes:**

