

ZX30-CAT-SOi

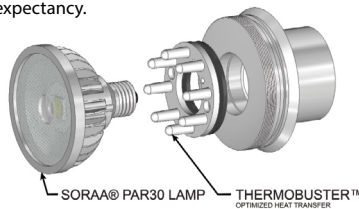
Catenary . ZX30 Series



Product Features

- A unique catenary system including fixtures, turnbuckle, suspension cable, power cable for outdoor illumination.
- ETL outdoor wet location listed. IP65 standard.
- Machined from solid billet 6061-T6 corrosion resistant aluminum.
- US patented integral SORAA® heat sink.

Integral SORAA® Heat Sink: US patented Thermobuster™ provides extra heat dissipation that reduces the lamp junction temperature by 77°F(25°C). Enables even the highest wattage SORAA® lamps to be used in an enclosed fixture without sacrificing its performance or life expectancy.



Specification

Materials: Machined from billet 6061-T6 corrosion resistant aluminum with 304 stainless steel hardware. Available in 304/316 stainless steel or 360 brass upon request.

Glare Shield: 3 optional glare shields(GSL-long, GSA-angled GSS-short) for additional glare control. See page 2 for details.

Light Source: PARR30 Halogen lamp or PAR30 SORAA® LED lamp. Please refer to [SORAA PAR30S E26](#) for lamp selection.

Voltage: 120V or 230V AC.

Lamp Base/Socket: Standard socket for E26.

Dimmability: Phase dimming, with trailing edge dimming preferable. Please refer to website for SORAA® PAR30S dimmer compatibility. [SORAA PAR30S dimmer compatibility](#).

Finish: Polyester powder coat on all aluminum materials with RoHS compliant procedures. Anodized finish is available. Stainless steel and brass models are provided with brushed surface.

Optical Accessories: Accepts up to 3 accessory pieces (hexcel louver, optical lenses, dichroic color filters, etc.). Secured in place with metal snap ring.

Mounting Method: Custom hook mechanism on top of fixture that utilizes set screws to secure fixture(s) on the suspension cable and to lock the position of fixture on the cable.

Turn Buckle (Optional): Allows fine tuning of the tension on the support cable, up to 1.50" of adjustment.

Power Cable (Optional): 18/3 SJTW cable, dia 0.31".

Suspension Cable (Optional): 7x7 stainless steel wire rope, maximum diameter is 1/4", capacity 1200lbs.

Ordering Guide

EXAMPLE: ZX30-CAT-SOi - GSL - 120V - 00829 - BK - DF - TURN BUCKLE

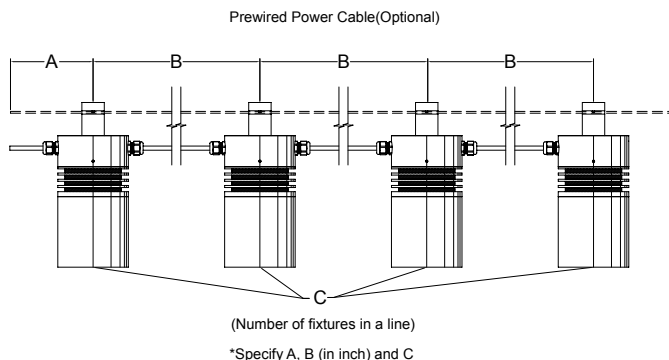
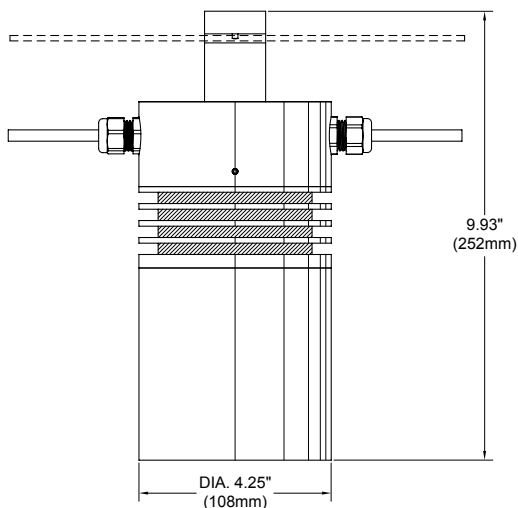
SERIES	MATERIAL	OPTIONAL GLARE SHIELD	VOLTAGE	OPTIONAL LAMP	FINISH	OPTIONAL SELECT UP TO 3 OPTIC ACCESSORIES	OPTIONAL MOUNTING ACCESSORIES
ZX30-CAT-SOi							
SORAA*	BLANK Aluminum(Standard) NBR Natural Brass NSS Natural Stainless Steel CU Natural Copper	GSL GSA GSS	120V 230V	0-NONE XXXXX SORAA® LAMP CODE (5 DIGIT SORAA CAT. NO*)	Standard BK Black Powder Coat BZ Bronze Powder Coat WT White Powder Coat Premium ABK Anodized Black ACL Anodized Clear CC Custom Powder Coat	LVR Hexcel Louver OSL Overall Spread Lens LSL Linear Spread Lens SOL Solite Soft Focus DF Dichroic Filter	See page 2 for quick reference, or "Accessories" link for detailed specification.

POWER CABLE(OPTIONAL)

Specify A, B and C
A Length of Feed-in
B Space Between Fixtures
C Number Of Fixtures

NOTE: Specification and dimensions subject to change without notice.

Product Drawings

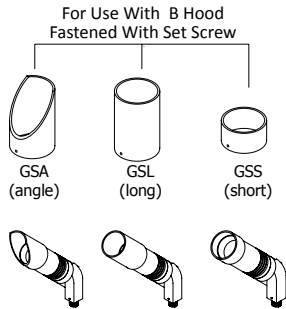


Photometry & Energy Data

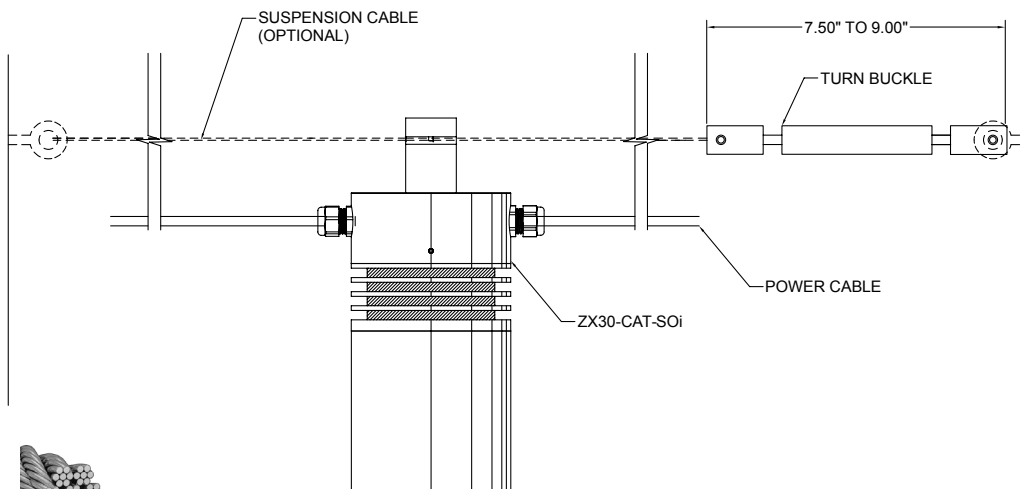
All SORAA® PAR30S E26 base lamps can be used in this fixture.
Please refer to SORAA® website: [SORAA PAR30S](http://SORAA.PAR30S).

Product Options & Accessories

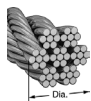
Optional Glare Shield



Mounting Accessories



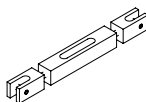
Suspension Cable:



Power Cable:



Turn Buckle:



Notes