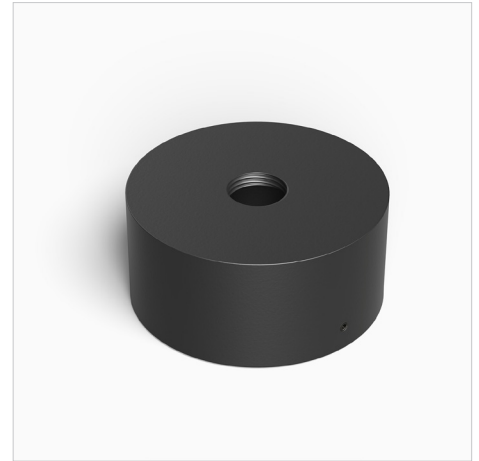


CB3.5

ACCESSORIES | Surface Mount Box

FEATURES

- Aesthetic, weatherproof round surface mount box.
- Machined from solid billet 6061-T6 corrosion resistant aluminum.
- Can accommodate a small power supply unit.



Weatherproof Round Surface Mount Box: CB3.5-BK

SPECIFICATIONS

Materials

Machined from billet 6061-T6 corrosion resistant aluminum. Available in 304/316 stainless steel or 360 brass upon request.

Finish

Polyester powder coat with RoHS compliant procedures.

Mounting

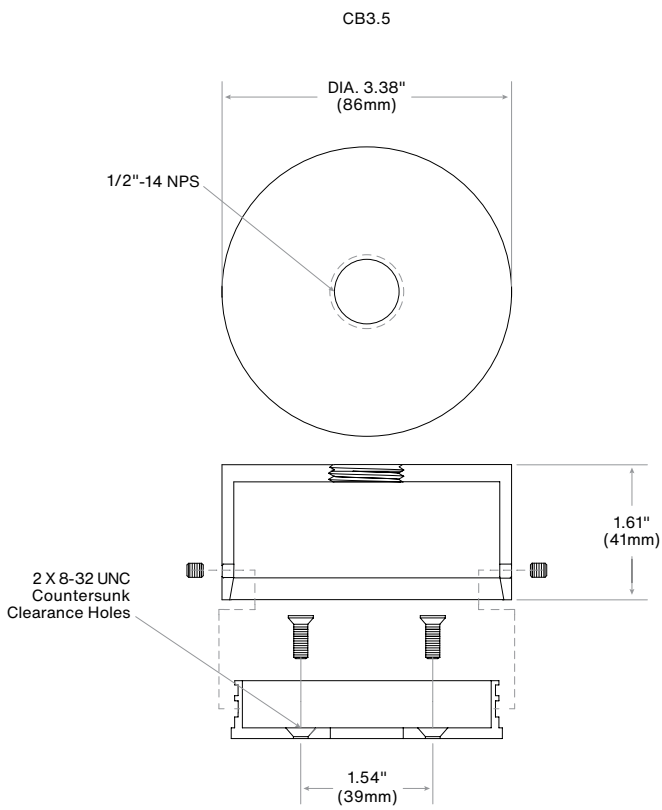
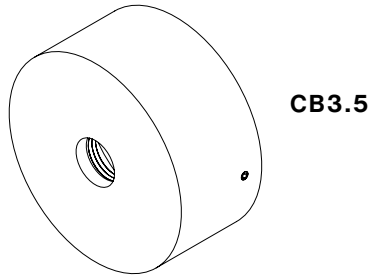
Accepts all 1/2"-14 NPS male fitting

ORDERING GUIDE

EXAMPLE: **CB3.5-BK**

MODEL	MATERIAL	FINISH		
CB3.5 CB3.5 Series Surface Mount Round Box				
	BLANK	Aluminum (Standard)	STANDARD	
	NBR	Natural Brass	BK	Black Powder Coat
	NSS	Natural Stainless Steel	BZ	Bronze Powder Coat
	CU	Natural Copper	WT	White Powder Coat
			PREMIUM	
			ABK	Anodized Black
			ACL	Anodized Clear
			CC	Custom Powder Coat

PRODUCT DRAWINGS



Notes:

Blank area for notes.