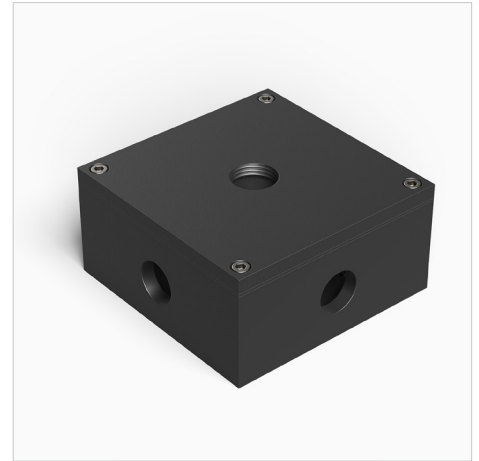


CB4.0-SQ

ACCESSORIES | Surface Mount Box

FEATURES

- Weatherproof square surface mount box.
- Allows four conduit entries from the side.
- Powder coat over cast aluminum structure.
- Can accommodate a small power supply unit.



Weatherproof Square Surface Mount Box: CB4.0-SQ-BK

SPECIFICATIONS

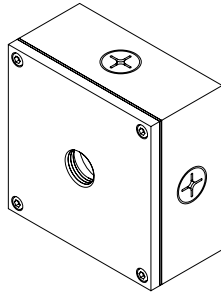
<p>Materials Machined from billet 6061-T6 corrosion resistant aluminum. Available in 304/316 stainless steel or 360 brass upon request.</p>	<p>Finish Polyester powder coat with RoHS compliant procedures.</p> <p>Mounting Accepts all 1/2"-14 NPS male fitting.</p>	<p>Side Entries Can accommodate up to 4 ea of 1/2" knockouts.</p>
--	---	--

ORDERING GUIDE

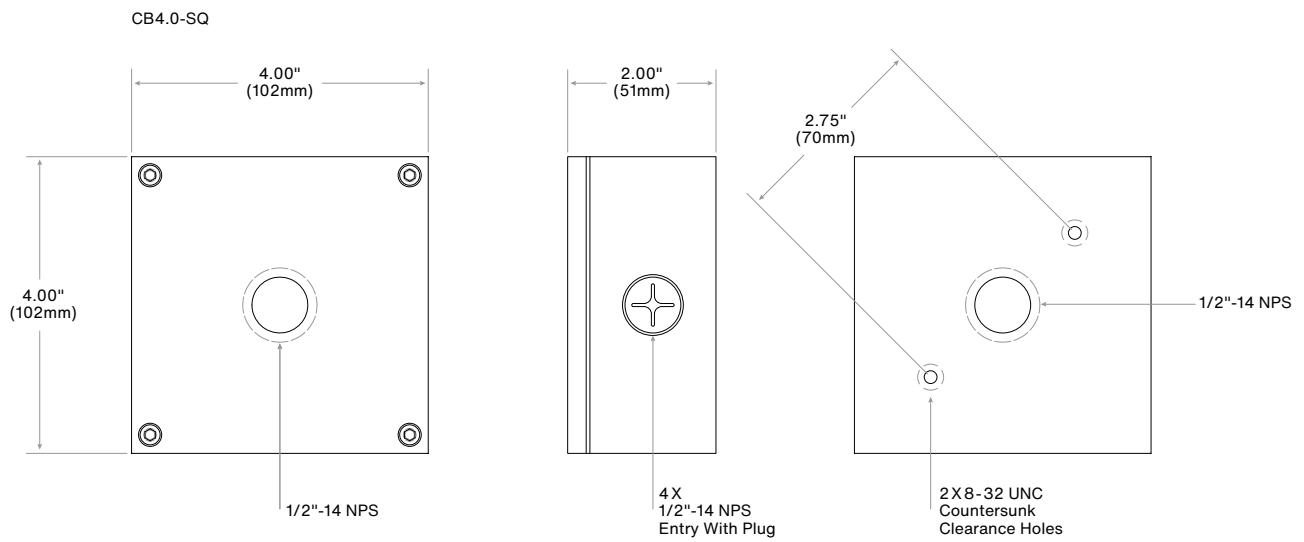
EXAMPLE: **CB4.0-SQ-BK**

MODEL	MATERIAL	FINISH
CB4.0-SQ CB4.0-SQ Series Surface Mount Square Box	BLANK Aluminum (Standard)	STANDARD BK Black Powder Coat BZ Bronze Powder Coat WT White Powder Coat PREMIUM ABK Anodized Black ACL Anodized Clear CC Custom Powder Coat
	NBR Natural Brass	
	NSS Natural Stainless Steel	
	CU Natural Copper	

PRODUCT DRAWINGS



CB4.0-SQ



Notes:

