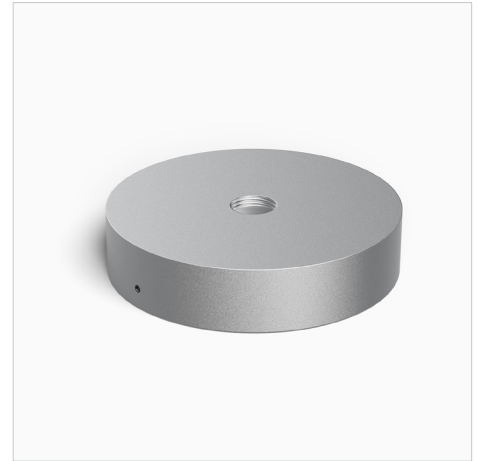


CB5.1 / CB5.1-2

ACCESSORIES | MOUNTING / SURFACE MOUNT

FEATURES

- Aesthetic, weatherproof round 5" surface mount box.
- Can mount single fixture or two fixture heads.
- Machined from solid billet 6061-T6 corrosion resistant aluminum.
- Can accommodate a small power supply unit.



5" Weatherproof Round Single Fixture Hole
Surface Mount Box: CB5.1-AAC

SPECIFICATIONS

Materials

Machined from solid billet 6061-T6 corrosion resistant aluminum. Available in 304/316 stainless steel or 360 brass upon request.

Mounting

Accepts all 1/2"-14 NPS male fittings of HK Lighting fixtures.

Finish

Aluminum materials are anodized and then powder coated for a robust, marine-grade finish. Stainless steel and brass models are provided with brushed surface.



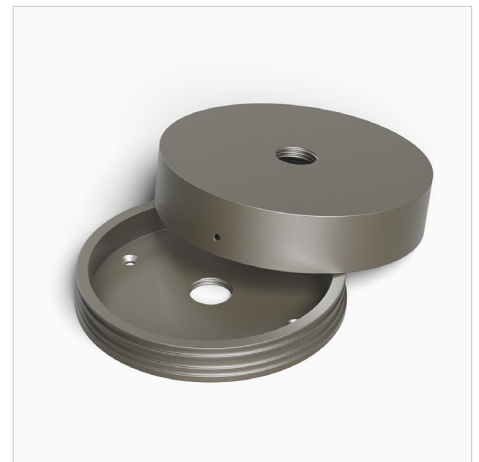
5" Weatherproof Round Double Fixture Hole
Surface Mount Box: CB5.1-2-ABL

ORDERING GUIDE

EXAMPLE: **CB5.1-AAC**

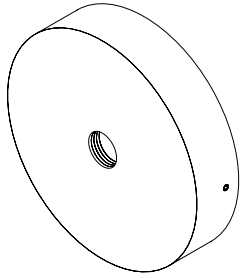
SERIES	MODEL/HOLES	MATERIAL / FINISH
CB5.1		
CB5.1 Series Round Surface Mount 1 or 2 Threaded Fixture Holes	1 Fixture Hole	ABL Aluminum Black
	2 2 Fixture Holes	ABR Aluminum Bronze
		AWH Aluminum White
		AAC Aluminum Anodized Clear ¹
		NBR Natural Brass ¹
		NCU Natural Copper ¹
		NSS Natural Stainless Steel ¹
		CCC Custom Finish ¹

¹ Consult factory for specialty finish quoting and lead times.

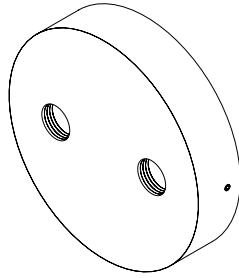


Single Surface Mount Box Open View: CB5.1-ABR

PRODUCT DRAWINGS

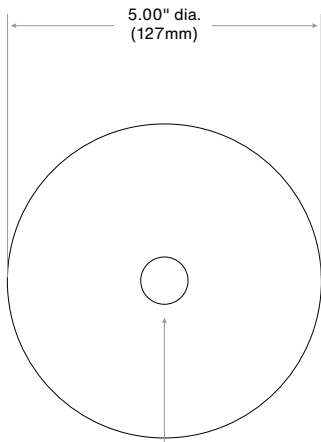


CB5.1



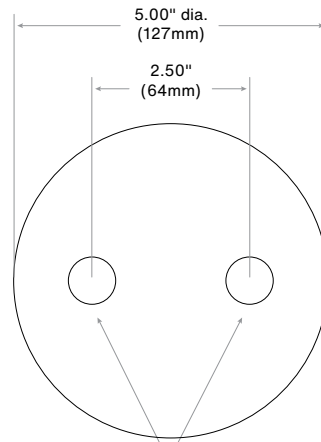
CB5.1-2

CB5.1

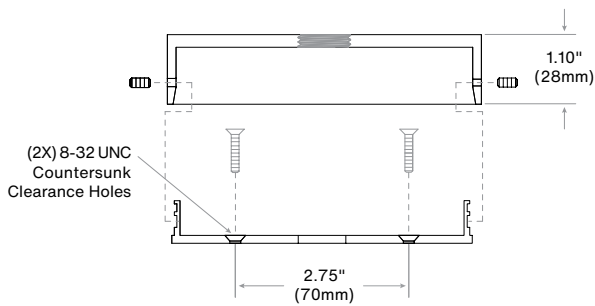


1/2"-14 NPS

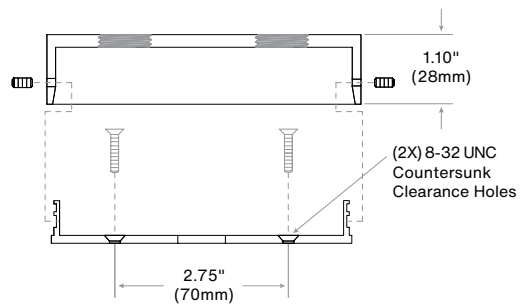
CB5.1-2



(2X) 1/2"-14 NPS



(2X) 8-32 UNC
Countersunk
Clearance Holes



(2X) 8-32 UNC
Countersunk
Clearance Holes

Notes:

