

CM2/CM1/CM3

ACCESSORIES | Canopy Mount

FEATURES

- Square mounting plates in 3 different standard sizes.
- Machined from solid billet 6061-T6 corrosion resistant aluminum.
- 1/2"-14 NPS female thread.



Canopy Mount: CM2-BZ

SPECIFICATIONS

Materials

Machined from billet 6061-T6 corrosion resistant aluminum. Available in 304/316 stainless steel or 360 brass upon request.

Finish

Polyester powder coat with RoHS compliant procedures.

Mounting

Accepts all 1/2"-14 NPS male fitting.

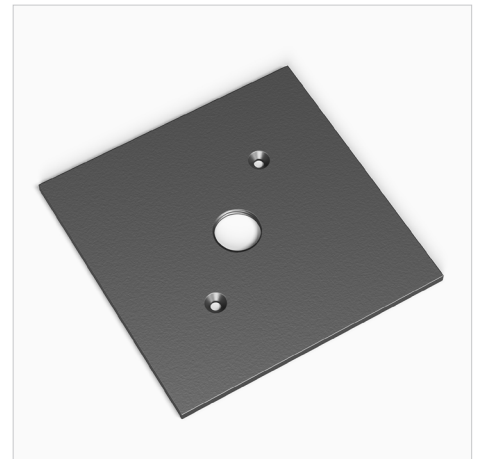


Canopy Mount: CM1-NSS

ORDERING GUIDE

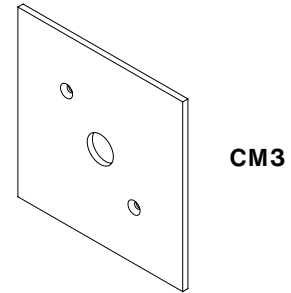
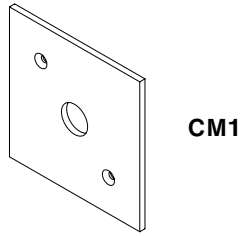
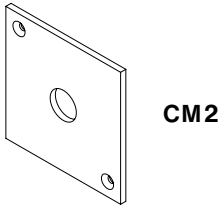
EXAMPLE: CM1-BZ

MODEL/STYLE		MATERIAL		FINISH	
CM2	3.30" Square Plate	BLANK	Aluminum (Standard)	STANDARD	
CM1	3.75" Square Plate	NBR	Natural Brass	BK	Black Powder Coat
CM3	4.75" Square Plate	NSS	Natural Stainless Steel	BZ	Bronze Powder Coat
		CU	Natural Copper	WT	White Powder Coat
				PREMIUM	
				ABK	Anodized Black
				ACL	Anodized Clear
				CC	Custom Powder Coat



Canopy Mount: CM3-BK

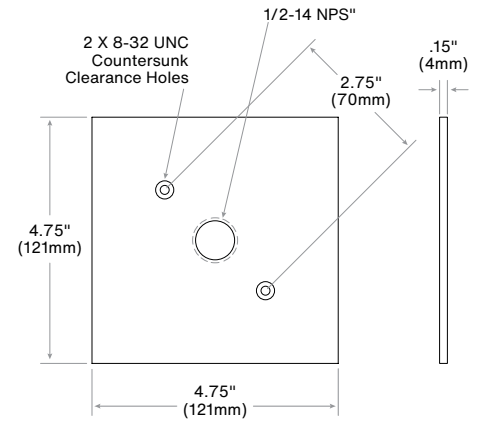
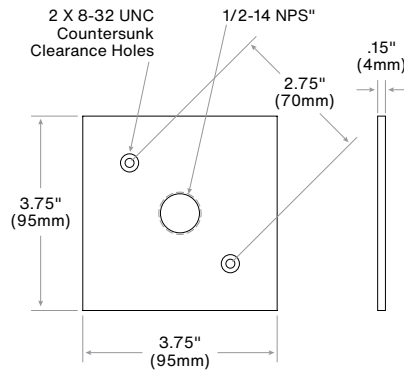
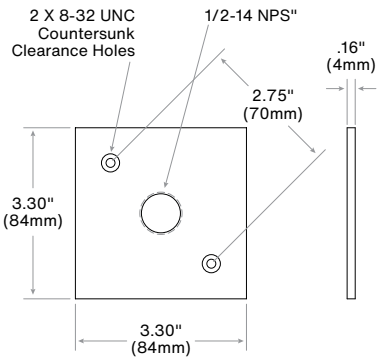
PRODUCT DRAWINGS



CM2

CM1

CM3



Notes:

