

CM5 / CM5-2

ACCESSORIES | MOUNTING / CANOPY MOUNT

CM Series | 5"

FEATURES

- Round mounting plate 5" diameter.
- Canopy mount one or two fixture heads.
- Machined from solid billet 6061-T6 corrosion resistant aluminum.
- Readymade eligible configurations ship in 2 to 4 weeks.

SPECIFICATIONS

Materials

Machined from solid billet 6061-T6 corrosion-resistant aluminum. Available in 316 stainless steel or 360 brass upon request.

Mounting

Accepts all 1/2"-14 NPS male fittings of HK Lighting fixtures.

Finish

Aluminum materials are anodized and then powder coated for a robust, marine-grade finish. Stainless steel and brass models are provided with brushed surface.



5" Round Canopy Mounting Plate: CM5-ABR



5" Round Double Canopy Mounting Plate: CM5-2-ABL

ORDERING GUIDE

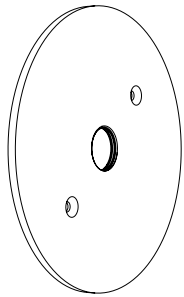
EXAMPLE: CM5-2-ABL

SERIES	MODEL/STYLE	MATERIAL / FINISH
CM		
CM Series Round Canopy Mount Single or Double Threaded Holes	5 1 Fixture Hole	ABL Aluminum Black
	5-2 2 Fixture Holes	ABR Aluminum Bronze
		AWH Aluminum White
		AAC Aluminum Anodized Clear ¹
		NBR Natural Brass ¹
		NCU Natural Copper ¹
		NSS Natural Stainless Steel ¹
		CCC Custom Finish ¹

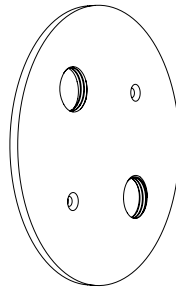
Readymade eligible configurations ship in 2 to 4 weeks

¹ Consult factory for specialty finish quoting and lead times.

PRODUCT DRAWINGS

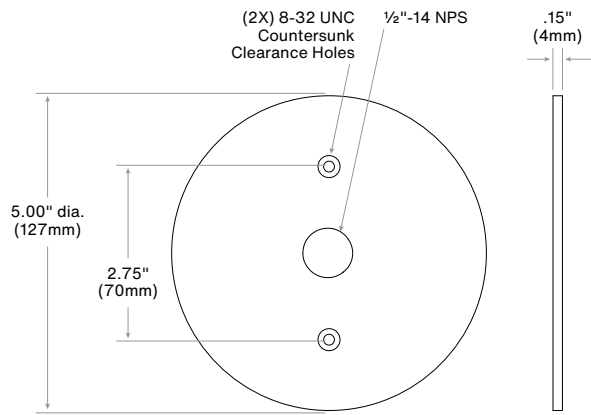


CM5

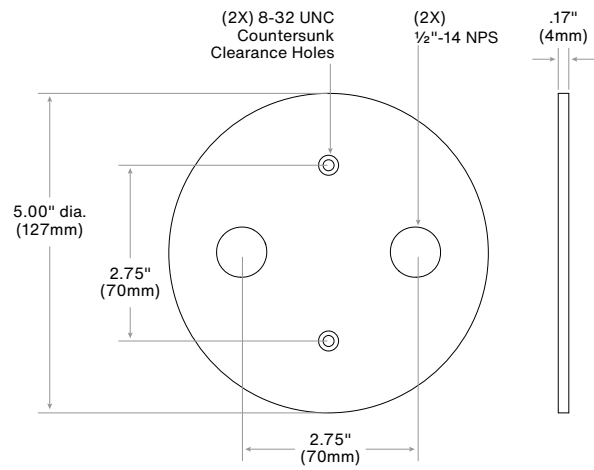


CM5-2

CM5



CM5-2



Notes: