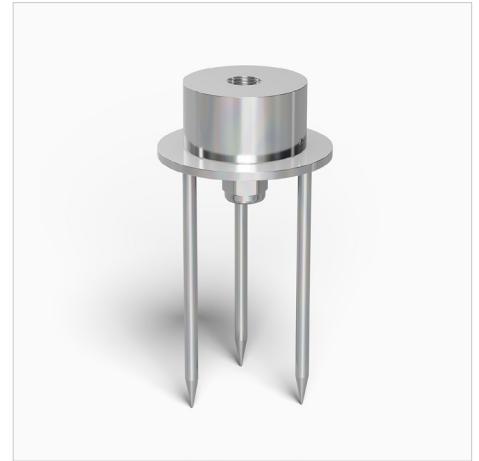


# MH02-T

ACCESSORIES | Ground Mount / Spike

## FEATURES

- Round-table-shape Stainless steel 3-prong stake.
- 6" or 12" prong length.
- Small wiring box on top to keep wire connections out of the dirt and mud.
- Provides great stability.
- Easy to move around.
- For 12V installation.



6" Spike Ground Mount: MH02-T-06-NSS



12" Spike Ground Mount: MH02-T-12-BZ

## SPECIFICATIONS

### Materials

Spike assembly - 304 stainless steel, wiring compartment cap is machined aluminum, 304 stainless steel hardware.

### Finish

Polyester powder coat with RoHS compliant procedures.

### Mounting

Accepts 1/2"-14 NPS male fitting.

### Application

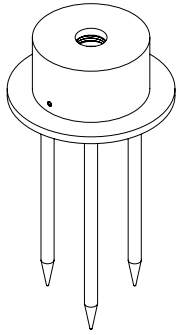
For low voltage installation.

## ORDERING GUIDE

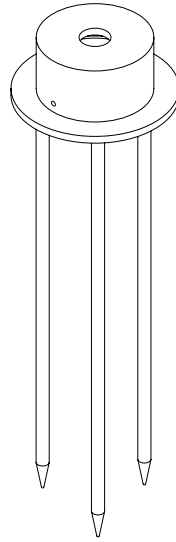
EXAMPLE: MH02-T-06-NSS

MODEL	PRONG LENGTH		FINISH	
<b>MH02-T</b>				
Spike MH02 Series Ground Mount 3-Prong Spike	<b>06</b>	6"	<b>BZ</b>	Bronze Powder Coat
	<b>12</b>	12"	<b>NSS</b>	Natural Stainless Steel

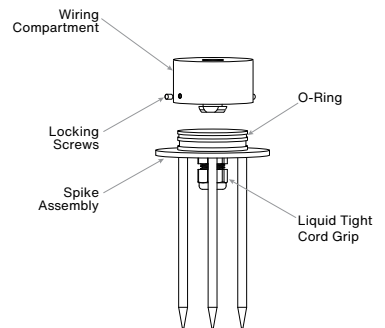
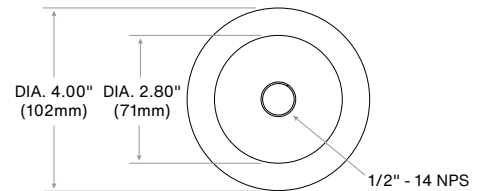
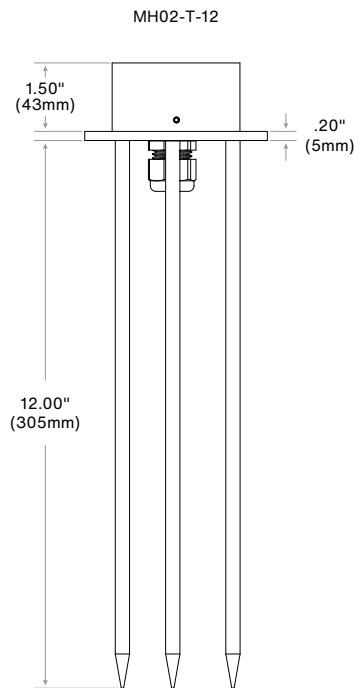
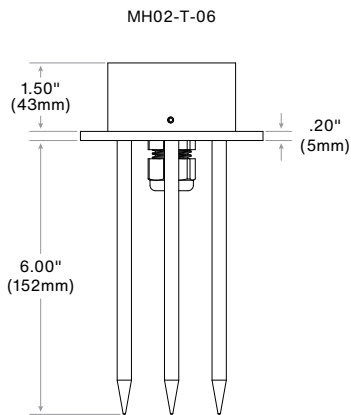
## PRODUCT DRAWINGS



MH02-T-06



MH02-T-12



Notes:

