

# MH-9

ACCESSORIES | Ground Mount / Spike

## FEATURES

---

- Cast Brass stake
- For low voltage installation.
- 1/2"-14 NPS female thread, easy to move around.



*Brass Stake Ground Mount: MH-9*

## SPECIFICATIONS

---

### Materials

Cast Brass Stake.

### Mounting

Accepts all 1/2"-14 NPS male fitting.

### Application

For low voltage installation.

## ORDERING CODE

---

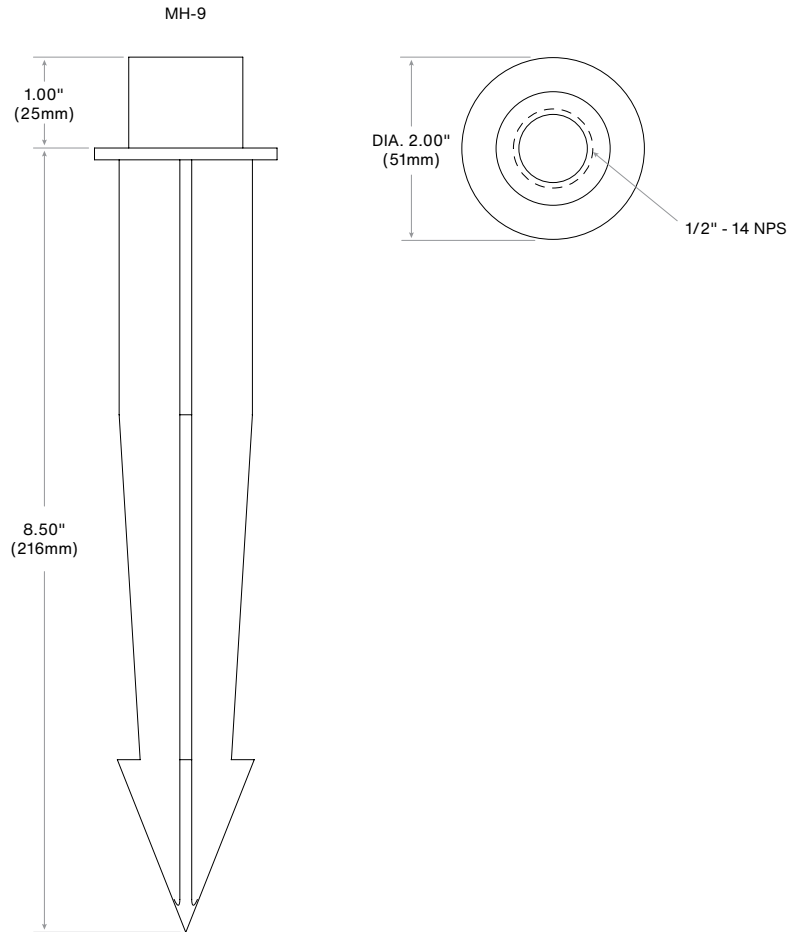
### MODEL

**MH-9**

Spike MH Series  
Ground Mount  
Brass Stake

**PRODUCT DRAWINGS**

**MH-9**



**Notes:**

Empty rectangular box for notes.