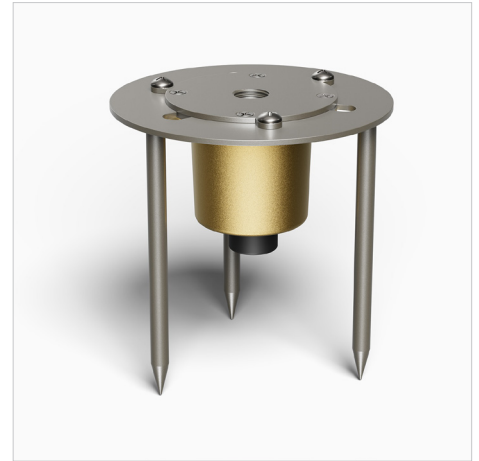


MHJB

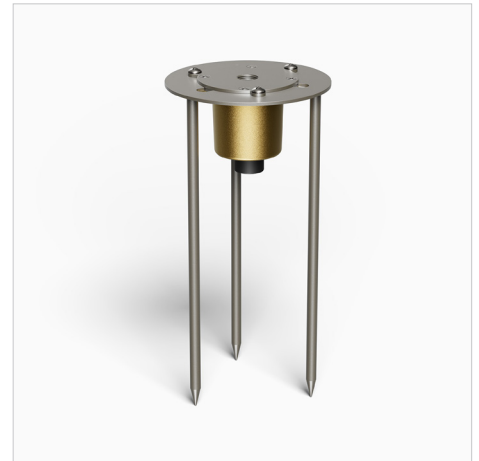
ACCESSORIES | Ground Mount / Spike

FEATURES

- Round-table-shape Stainless steel 3-prong stake.
- 6" or 12" prong length.
- Small brass ingrade j-box underneath for line voltage connection.
- Provides great stability.
- For line voltage installation.



6" Spike with Junction Box Ground Mount: MHJB-06-BZ



12" Spike with Junction Box Ground Mount: MHJB-12-BZ

SPECIFICATIONS

Materials

Spike assembly - 304 stainless steel,
J-box - cast brass. 304 stainless steel
hardware.

Finish

Polyester powder coat with RoHS
compliant procedures.

Mounting

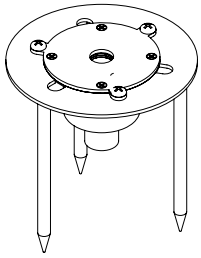
Accepts 1/2"-14 NPS male fitting.

ORDERING GUIDE

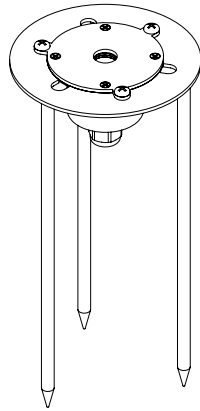
EXAMPLE: **MHJB-06-BZ**

MODEL	PRONG LENGTH		FINISH	
MHJB				
Spike MH Series Ground Mount w/J-Box 3-Prong Spike	06	6"	BZ	Bronze Powder Coat
	12	12"	NSS	Natural Stainless Steel

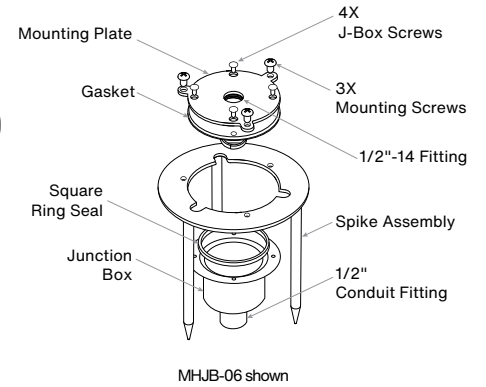
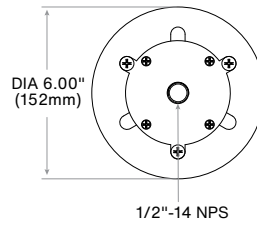
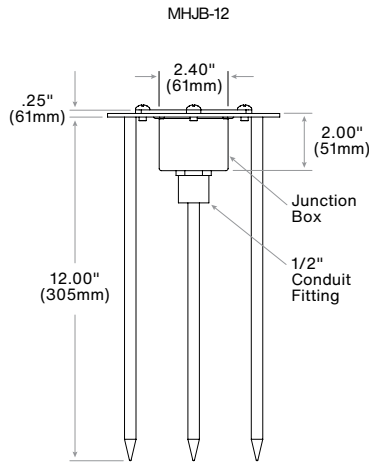
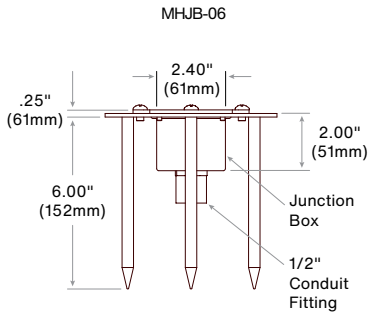
PRODUCT DRAWINGS



MHJB-06



MHJB-12



Notes:

