

# ST-C

ACCESSORIES | Sign Mount / Pole

## FEATURES

- Round extension stem with curved end.
- Aluminum extrusion.
- 1/2"-14 NPS female thread.



Curved Sign Light Stem: ST-C-24-NBR

## SPECIFICATIONS

### Materials

Machined from billet 6061-T6 corrosion resistant aluminum. Available in 304/316 stainless steel or 360 brass upon request.

### Mounting

Accepts all 1/2"-14 NPS male fitting. (XX) = stem length, Maximum 36". Guy wire support may be needed for longer stem or bigger fixture. Please consult factory.

### Finish

Polyester powder coat with RoHS compliant procedures.

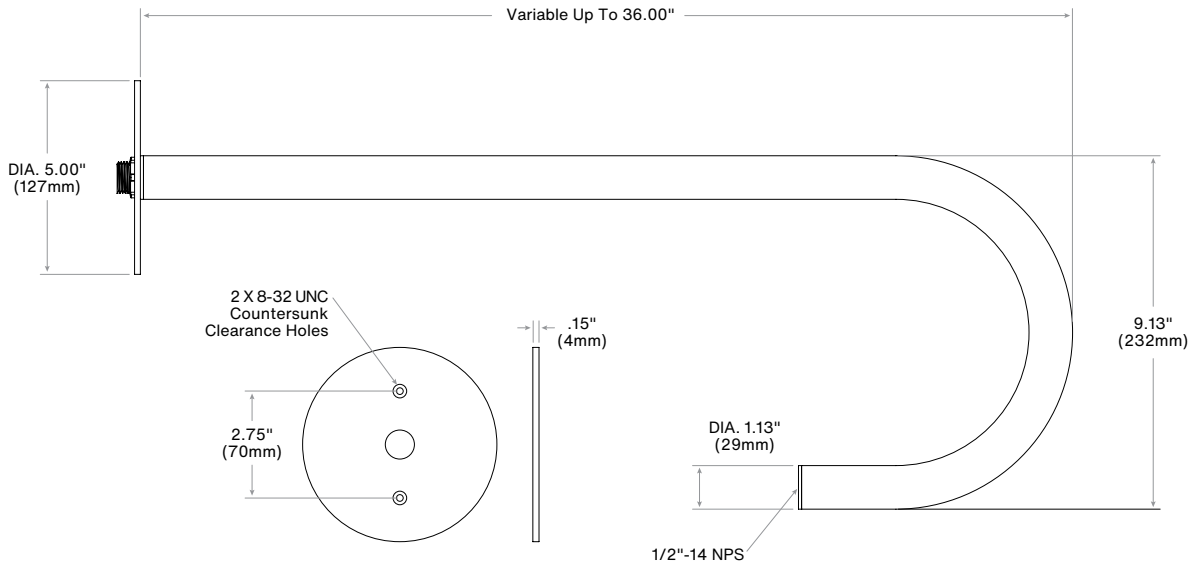
## ORDERING GUIDE

EXAMPLE: **ST-C-24-NBR**

MODEL	STEM LENGTH	FINISH
<b>ST-C</b> ST Series Sign Light Pole		
	<b>LENGTH</b>	
	XX	Maximum 36"
	<b>STANDARD</b>	
	<b>BK</b>	Black Powder Coat
	<b>BZ</b>	Bronze Powder Coat
	<b>WT</b>	White Powder Coat
	<b>PREMIUM</b>	
	<b>ABK</b>	Anodized Black
	<b>ACL</b>	Anodized Clear
	<b>CC</b>	Custom Powder Coat
	<b>NBR</b>	Natural Brass
	<b>NSS</b>	Natural Stainless Steel

**PRODUCT DRAWINGS**

ST-C



Notes:

Blank area for notes.