

# TM125

ACCESSORIES | MOUNTING / Tree Mount

## FEATURES

- Tree mounting box with ample wiring compartment.
- Machined from solid billet 6061-T6 corrosion resistant aluminum.
- Provide with 2 wood screws or 2 hanger bolts for attachment.
- For 12V installation.



Low Voltage Fixture Tree Mounting Box: TM125-BZ

## SPECIFICATIONS

### Materials

Machined from billet 6061-T6 corrosion resistant aluminum. Stainless Steel 304 hardware.

### Finish

Polyester powder coat with RoHS compliant procedures.

### Mounting

Accepts all 1/2"-14 NPS male fitting.

### Application

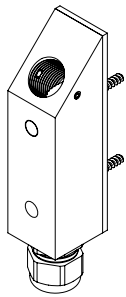
For low voltage installation.

## ORDERING GUIDE

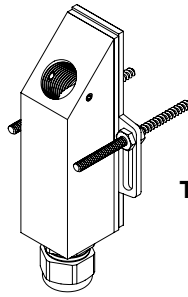
EXAMPLE: **TM125-BZ**

SERIES	HANGER BOLTS (Optional)	FINISH
<b>TM125</b> Tree Mount Series Tree Mounting Box for 12V Installation	<input type="text"/> <b>HB</b> Hanger Bolts	<input type="text"/> <b>BZ</b> Bronze Powder Coat <b>BK</b> Black Powder Coat <b>NSS</b> Natural Stainless Steel

**PRODUCT DRAWINGS**



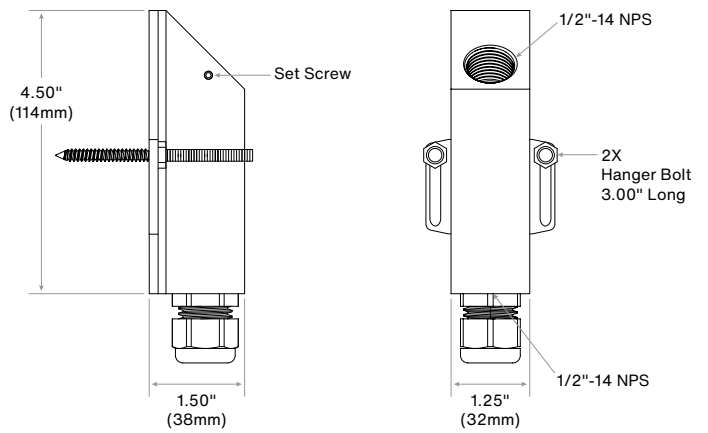
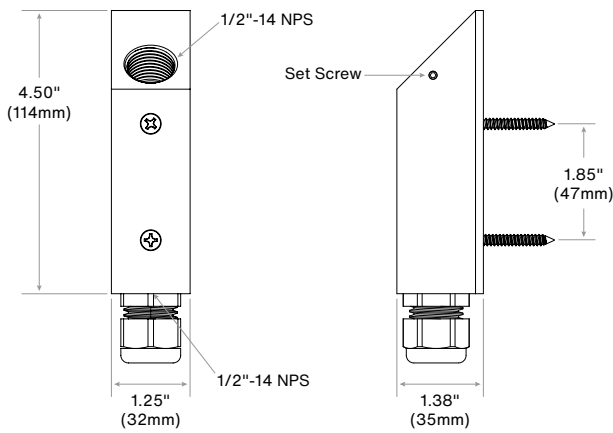
**TM125**



**TM125-HB**

TM125

TM125-HB



**Notes:**

