

ZFL08

(Includes former ZXLF-L-08 model)

FLOOD & WALL WASH | ZFL08 Series | 1.13"
3W (100lm) | 12V | HK LED, Amber

**IP67**

Low Voltage Discrete Square Flood Light: ZFL08-0S1-ABL

FEATURES

- Discrete, low glare 12V LED flood light designed to illuminate smaller plants and arid landscape environments, where soft light is preferred.
- 3W integrated HKLED delivering 100 lumens of soft, pleasing light. 2700K-4000K CCT, including specialty Amber option.
- Wet Location Listed, IP67 Standard.
- Machined from solid aircraft grade (6061-T6), corrosion-resistant aluminum, then anodized and powder coated to create a highly durable, marine grade finish. Also available in solid brass or stainless steel.
- 360° vertical and 360° horizontal adjustment via unique swivel stem design.
- Integrated, innovative Glare Shield, and Solite Lens minimizes glare and ensures soft, even distribution of light.
- Every fixture tested end of line for water tightness and light quality.
- Readymade eligible configurations ship in 2 to 4 weeks, complete with selected accessories installed.

SPECIFICATIONS

Materials

Solid billet 6061-T6 corrosion resistant aluminum with 304 stainless steel hardware.

Finish

Aluminum materials are first anodized and then powder coated for a robust, marine grade finish. Stainless steel and brass models are provided with brushed surface.

Glare Shield

Integrated Glare Shield included.

Voltage

12V AC/DC. Requires remote step down transformer.

Wattage

3W HK LED delivers 100 lumens.

Light Engine

Innovative HK LED Light module operates like a lamp and can be easily changed in the field. CRI 90 Standard. Standard CCT options are 2700K, 3000K, 4000K. Specialty color temperature including Amber option available. Consult factory for specialty LED specification details.

Dimming

MLV or ELV Phase Control dimming.

Optics

Wide Flood Optic included with installed Solite Lens to deliver soft light and minimize glare.

Mounting

Mounts using 1/2"-14 NPS male fitting compatible with all HK Lighting Group mounting devices. (See page 4 for details).

Listings

ETL Listed for Wet Location, IP67 Standard. RoHS Compliant.

ORDERING CODE

EXAMPLE: ZFL08-0S1-ABL-012V03W-27-GS-LVR-MHCS-06

MODEL	PHYSICAL OPTIONS	MATERIAL / FINISH	POWER	LIGHT	INSTALLED ACCESSORIES
ZFL08	OS1		012V		GS
ZFL08 Series Square Flood Light Integrated HK LED	OS1 Low Voltage, Square Single Light	ABL Aluminum Black ABR Aluminum Bronze AWH Aluminum White AAC Aluminum Anodized Clear ¹ NBR Natural Brass ¹ NCU Natural Copper ¹ NSS Natural Stainless Steel ¹ CCC Custom Finish ¹	VOLTAGE 012V 12V AC WATTAGE 03W 3 Watts SPW Specialty ²	CCT 27 2700K 30 3000K 35 3500K 40 4000K AM Amber ² CC Custom LED	GLARE SHIELD GS Glare Shield (Always Included)

Readymade eligible configurations ship in 2 to 4 weeks.

¹ Consult factory for specialty finish quoting and lead times.

² For Specialty AM (Amber LED), select SPW (Specialty) for Wattage. Consult factory for LED technical details before Specification or Order.

OPTIONAL INSTALLED ACCESSORIES

MOUNTING (Most common listed, see Page 4 for additional options)

GROUND MOUNT	
MHCS-06	6" PVC Single Prong Spike (12V)
MHCS-12	12" PVC Single Prong Spike (12V)
MH02-06-BRZ	6" Stainless Steel 3-Prong Spike (12V) Bronze
MH02-12-BRZ	12" Stainless Steel 3-Prong Spike (12V) Bronze
JB-1	Brass In-ground Junction Box
CANOPY MOUNT	
CM1-XXX	3.75" Square Canopy Plate
CM3-XXX	4.75" Square Canopy Plate
CM5-XXX	5" Round Canopy Plate
CM5-2-XXX	5" Round Canopy Plate - Double
SURFACE MOUNT	
CMLJ-XXX	2.7" Round Surface Box
CB4.0-XXX	4" Round Surface Box
CB5.5-XXX	5.5" Round Surface Box
TREE MOUNT	
TM125-ABR	Aluminum Tree Mount Box (12V)
TM125-TS-ABR	Aluminum Tree Mount Box (12V) with Stainless Steel Strap
EXTENSIONS	
EX-12-XXX	12" Extension
EX-24-XXX	24" Extension
EL-XXX	Elbow Extension

- Consult Accessory Spec Sheet for desired option code.
- XXX represents color option.
- Readymade options available in ABL and ABR only unless noted by the part code.

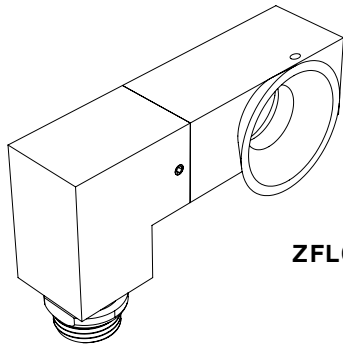
OUTDOOR MAGNETIC TRANSFORMERS (120V input/12VAC Output)

TRANSFORMERS (Go to [Accessories](#) for detailed specification)

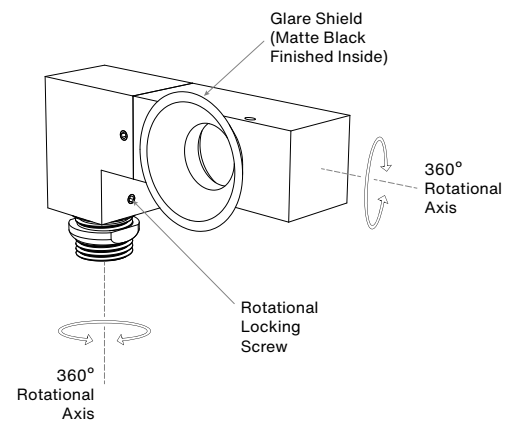
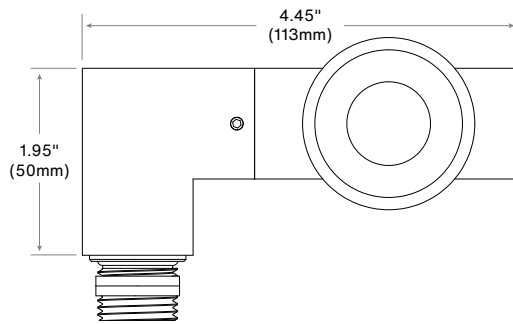
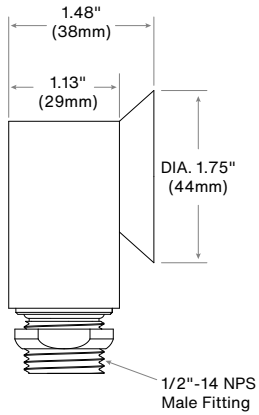
EXAMPLE: **TXS-150-SS**

MODEL		WATTAGE (VA)						PRIMARY VOLTAGE (VAC)	
TXM	Stainless steel, wet location outdoor magnetic transformer Multitap 12VAC Output MLV Dimming	300						OTR-SS (120V Only)	
TXS	Stainless steel, wet location outdoor magnetic transformer Multitap 12VAC Output MLV Dimming	150	300	600				SS (120V Only)	
TXM	Compact, damp location magnetic transformer 12VAC Output MLV Dimming	20	40	60	100	150	300	120	277
IGT	In ground outdoor magnetic transformer 12VAC Output MLV Dimming	50 (120V Only)			100	300	600	120	277
TXE	In-fixture or near mounted electronic transformer 12VAC Output ELV Dimming Enclosure by others	60						120	277

PRODUCT DRAWINGS



ZFL08-0S1

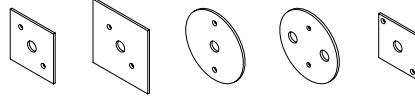


OPTIONS & ACCESSORIES
MOUNTING ACCESSORIES

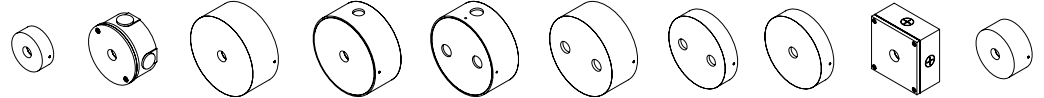
 Go to [Accessories](#) for additional options and full specifications.

Canopy Mount:

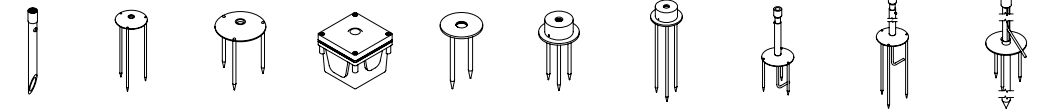
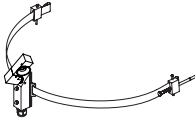

Fixture On CM5


CM1 CM3 CM5 CM5-2 CM2
Surface Mount Box:

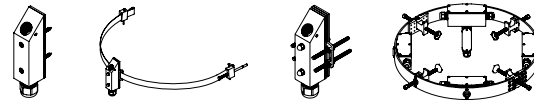

Fixture On CB5.5


CMLJ CB4.0 CB5.5 CB5.5-K/O CB5.5-K/O-2 CB5.5-2 CB5.1-2 CB5.1 CB4.0-SQ CB3.5
Ground Mount:

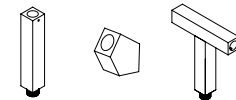

Fixture On MH02-06


MHCS MH02-12 MH02-06 JB-1 MH05 MH02-T-06 MH02-T-12 MHVL-6-12 MHVL-12-24 MH01
Tree Mount:


Fixture On TM125-TS


TM125 TM125-TS TM125-HB TS-SO
Extension:


Fixture With EX-12

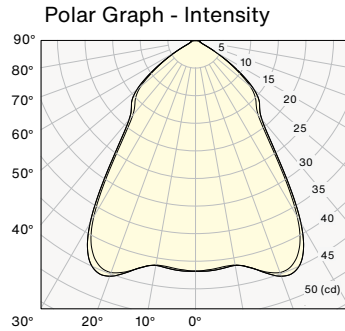

EX EL ET
 Readymade eligible configurations ship in 2 to 4 weeks.

Notes:

PHOTOMETRY & ENERGY DATA

ZFL08

Input Power	3.0W
Color Temperature (CCT)	3000K
Color Rendering Index (Ra)	80
Beam Angle	73.5°
Max. Candlepower	46cd
Delivered Lumens	77 lm
Efficacy	26lm/W



Cone of Light - Illuminance

Center Beam (fc)	Beam Diameter	Distance
10.43	2.99'	2.0'
2.61	5.97'	4.0'
1.16	8.96'	6.0'
.65	11.94'	8.0'
.42	14.93'	10.0'

1/2 Beam Angle: 73.5°

WATTAGE MULTIPLIER

Wattage	Multiplier
3 Watt	1.00

CCT MULTIPLIER

Color Temp.	Multiplier
2700k	0.96
3000k	1.00
4000k	1.03