

ZFL11

(includes former ZXLF-CPV model)

FLOOD & WALL WASH | ZFL11 Series | 1.75"
4 - 8W (250 - 500LM) | 12V | HK LED, Amber

**IP67**

Low Voltage LED Center Pivot Flood Light: ZFL11-0C1-AAC

FEATURES

- Strong 12V LED center pivot flood light for wall wash, landscape, hardscape, and signage illumination.
- 4W, 8W integrated HK LED delivering 250 to 500 lumens. 2700K-4000K CCT, including specialty Amber option.
- Wet Location Listed, IP67 Standard.
- Machined from solid aircraft grade (6061-T6), corrosion-resistant aluminum, then anodized and powder coated to create a highly durable, marine grade finish. Also available in solid brass or stainless steel.
- 360° vertical and 360° horizontal adjustment via unique swivel stem design.
- Available ground, surface, and canopy mounting options.
- Every fixture tested end of line for water tightness and light quality.

SPECIFICATIONS

Materials Solid billet 6061-T6 corrosion resistant aluminum with 304 stainless steel hardware.	Voltage 12V AC/DC. Requires remote step down transformer.	Optics Includes Solite Soft Focus lens for smooth, even distribution of light.
Finish Aluminum materials are first anodized and then powder coated for a robust, marine grade finish. Stainless steel and brass models are provided with brushed surface.	Wattage 4 or 8W HK LED delivering 250 to 500 lumens.	Mounting Mounts using 1/2"-14 NPS male fitting compatible with all HK Lighting Group mounting devices. (See page 4 for details).
Optional Barn Door Optional barn doors for glare control and precision cut off. (See page 4 for details).	Light Engine Innovative HK LED light engine. CRI 90 Standard. Available in CRI 80 or CRI 95 upon request. Standard CCT options are 2700K, 3000K, 3500K, 4000K. Amber option available. Consult factory for specialty LED specification details.	Listings ETL Listed for Wet Location, IP67 Standard. RoHS Compliant.
	Dimming MLV or ELV Phase Control dimming.	

ORDERING GUIDE

EXAMPLE: ZFL11-0C1-ABL-012V08W-30-BD-JB-1

MODEL	PHYSICAL OPTIONS	MATERIAL / FINISH	POWER	LIGHT	
ZFL11	OC1		012V		
ZFL11 Series Center Pivot Flood Light Integrated HK LED	OC1 Low Voltage, Center Pivot Single Light	ABL Aluminum Black ABR Aluminum Bronze AWH Aluminum White AAC Aluminum Anodized Clear ¹ NBR Natural Brass ¹ NCU Natural Copper ¹ NSS Natural Stainless Steel ¹ CCC Custom Finish ¹	VOLTAGE 012V 12V AC	WATTAGE 04W 4 Watts 08W 8 Watts SPW Specialty ²	CCT 27 2700K 30 3000K 35 3500K 40 4000K AM Amber ² CC Custom LED

¹ Consult factory for specialty finish quoting and lead times.

² For Specialty AM (Amber LED), select SPW (Specialty) for Wattage. Consult factory for LED technical details before Specification or Order.

³ Due to the size of the ZFL11, not recommended for use in soft soil.

OPTIONAL INSTALLED ACCESSORIES

GLARE SHIELD ACCESSORIES

BD Barndoor Glare Shields

MOUNTING (Most common listed, see Page 4 for additional options)

GROUND MOUNT	
MHCS-06	6" PVC Single Prong Spike (12V) ³
MHCS-12	12" PVC Single Prong Spike (12V) ³
MH02-06-BRZ	6" Stainless Steel 3-Prong Spike (12V) Bronze
MH02-12-BRZ	12" Stainless Steel 3-Prong Spike (12V) Bronze
JB-1	Brass In-ground Junction Box
CANOPY MOUNT	
CM1-XXX	3.75" Square Canopy Plate
CM3-XXX	4.75" Square Canopy Plate
CM5-XXX	5" Round Canopy Plate
CM5-2-XXX	5" Round Canopy Plate - Double
SURFACE MOUNT	
CMLJ-XXX	2.7" Round Surface Box
CB4.0-XXX	4" Round Surface Box
CB5.5-XXX	5.5" Round Surface Box
EXTENSIONS	
EX-12-XXX	12" Extension
EX-24-XXX	24" Extension
EL-XXX	Elbow Extension

- Consult Accessory Spec Sheet for desired option code.
- XXX represents color option.

ADDITIONAL GLARE SHIELD ACCESSORIES

BD-ZFL11-XXX Barndoor Glare Shields
--

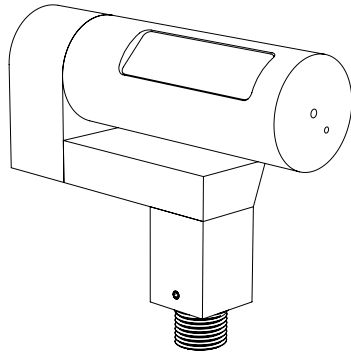
OUTDOOR MAGNETIC TRANSFORMERS (120V input/12VAC Output)

TRANSFORMERS (Go to [Accessories](#) for detailed specification)

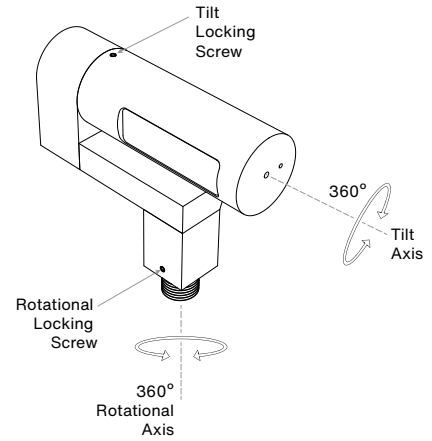
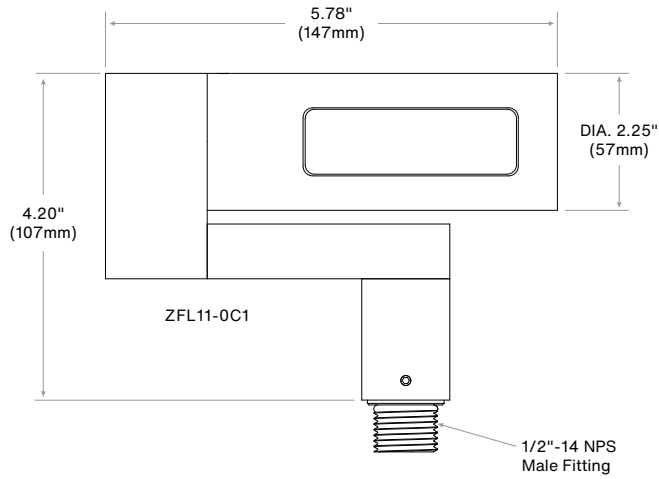
EXAMPLE: TXM-20-120

MODEL	WATTAGE (VA)	PRIMARY VOLTAGE (VAC)
TXM Compact, damp location magnetic transformer 12VAC Output MLV Dimming	20, 40, 60, 100, 150, 300	120, 277
TXM Stainless steel, wet location outdoor magnetic transformer with integrated light sensor Multitap 12VAC Output MLV Dimming	300	OTR-SS (120V Only)
TXS Stainless steel, wet location outdoor magnetic transformer Multitap 12VAC Output MLV Dimming	150, 300, 600	SS (120V Only)
IGT In-grade outdoor magnetic transformer 12VAC Output MLV Dimming	50 (120V Only), 100, 300, 600	120, 277
TXE In-fixture or near mounted electronic transformer 12VAC Output ELV Dimming Enclosure by others	60	120, 230, 277

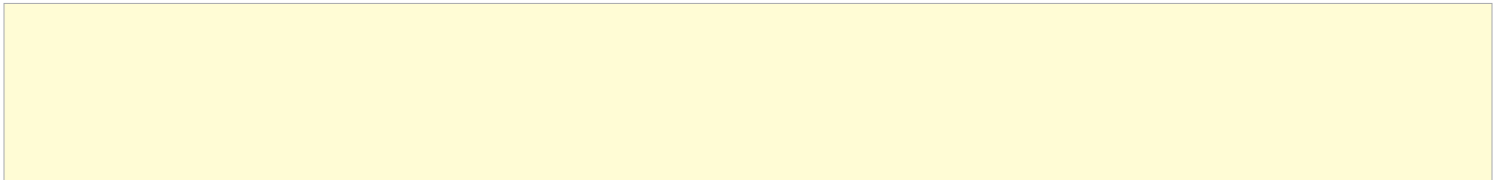
PRODUCT DRAWINGS



ZFL11-0C1



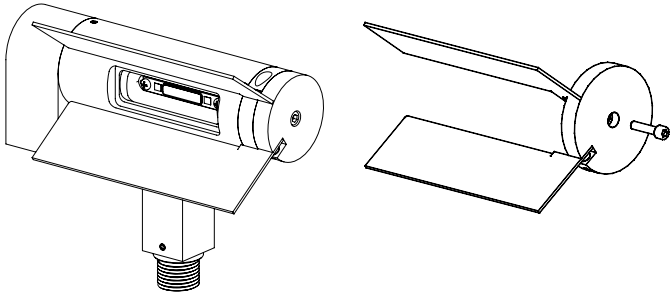
Notes:



OPTIONS & ACCESSORIES

OPTIONAL GLARE SHIELD

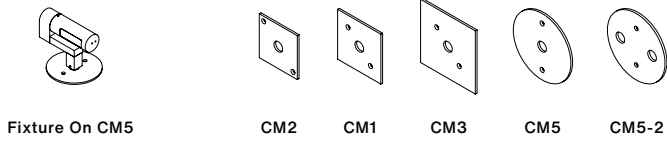
Barn Door For ZFL11 Series
Fastened With Set Screw



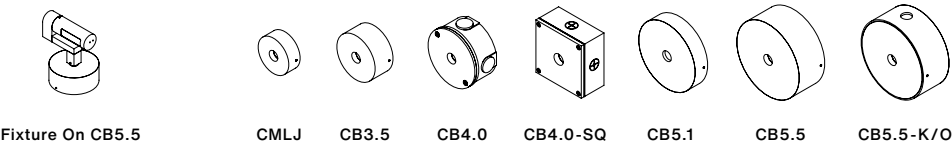
MOUNTING ACCESSORIES

Go to [Accessories](#) for additional options and full specifications.

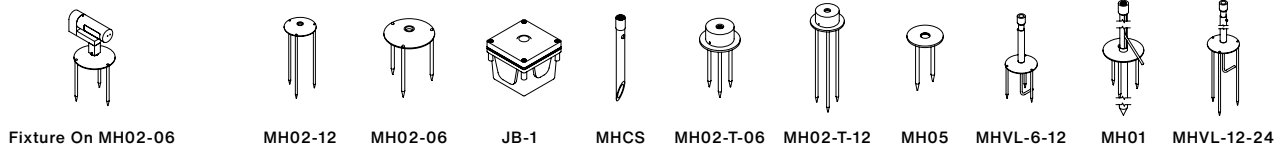
Canopy Mount:



Surface Mount Box:



Ground Mount:

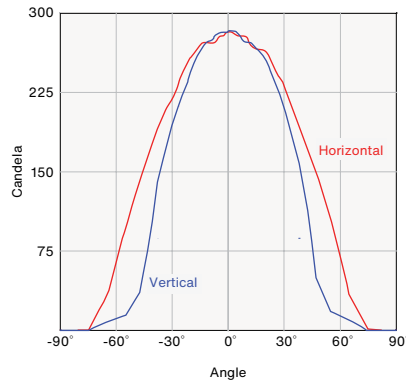
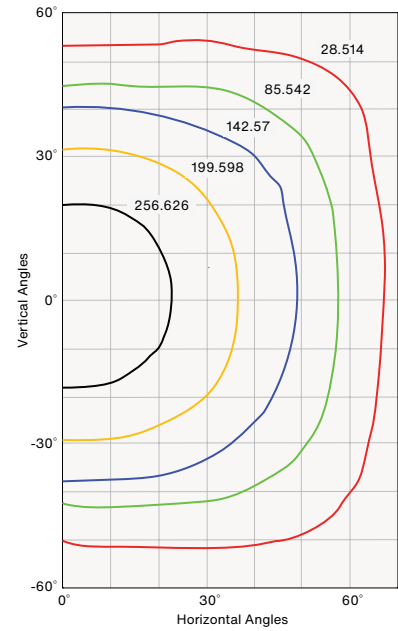


Extension:



PHOTOMETRY & ENERGY DATA
ZFL11

Input Power	7.5W
Color Temperature (CCT)	3000K
Color Rendering Index (Ra)	83
Horizontal Beam Angle	96.4°
Vertical Beam Angle	77.1°
Max. Candlepower	285cd
Delivered Lumens	508lm
Efficacy	67.7lm/W

Axial Candela Display

Isocandela Curves


Maximum Candela = 285.14 Located at Horizontal Angle = 0°, Vertical Angle = 0°
 50% Maximum Candela = 142.57
 10% Maximum Candela = 28.514

WATTAGE MULTIPLIER

Wattage	Multiplier
4 Watt	0.50
8 Watt	1.00

CCT MULTIPLIER

Color Temp.	Multiplier
2700k	0.97
3000k	1.00
4000k	1.05