

ZFL16-1

(includes former ZXLFi model)

FLOOD & WALL WASH | ZFL16 Series | 2.25"
 4 - 8W (250 - 500LM) | 120 - 277V | HK LED, Amber



Line Voltage LED Modern Flood Light: ZFL16-1R1



Line Voltage LED Modern Double Flood Light: ZFL16-1R2

FEATURES

- Strong 120-277V LED round flood light for wall wash, landscape, hardscape, and signage illumination.
- 4 W, 8W integrated HK LED delivering 250 - 500 lumens per light. 2700 - 4000K CCT, including specialty Amber options.
- Wet Location Listed, IP67 Standard.
- Machined from solid aircraft grade (6061-T6), corrosion-resistant aluminum, then anodized and powder coated to create a highly durable, marine grade finish. Also available in solid brass or stainless steel.
- 360° vertical and 360° horizontal adjustment via unique swivel stem design.
- Available ground, surface, and canopy mounting options.
- Every fixture tested end of line for water tightness and light quality.
- Readymade eligible configurations ship in 2 to 4 weeks, complete with selected accessories installed.

SPECIFICATIONS

<p>Materials Solid billet 6061-T6 corrosion resistant aluminum with 304 stainless steel hardware.</p> <p>Finish Polyester powder coat on all aluminum materials with RoHS compliant procedures. Anodized finish is available. Stainless steel and brass models are provided with brushed surface.</p> <p>Optional Barn Door Optional barn doors for glare control and precision cut off. <i>(See page 4 for details).</i></p>	<p>Voltage Universal 120~277V AC with integral LED driver.</p> <p>Wattage 4 or 8W HK LED delivering 250 to 500 lumens.</p> <p>Light Engine Innovative HK LED light engine. CRI 90 Standard. Available in CRI 80 or CRI 95 upon request. Standard CCT options are 2700K, 3000K, 3500K, 4000K. Amber option available. Consult factory for specialty LED specification details.</p> <p>Driver / Dimming Onboard, Integrated LED Driver. Phase Control @ 120V available for 4W version only, 0-10V @ 120 - 277V.</p>	<p>Optics Includes Solite Soft Focus lens for smooth, even distribution of light.</p> <p>Mounting Mounts using 1/2"-14 NPS male fitting compatible with all HK Lighting Group mounting devices. <i>(See page 4 for details).</i></p> <p>Listings ETL Listed for Wet Location, IP67 Standard. RoHS Compliant.</p>
--	---	---

ORDERING GUIDE

EXAMPLE: ZFL16-IR1-ABL-120V08W-27-BD-MHJB-06-BRZ

MODEL	PHYSICAL OPTIONS	MATERIAL /FINISH	POWER	LIGHT																																																	
ZFL16																																																					
ZFL16 Series Round Flood Light Integrated HK LED	<table border="1"> <tr><td>IR1</td><td>Line Voltage, Round Single Light</td></tr> <tr><td>IR2</td><td>Line Voltage, Round Double Light</td></tr> </table>	IR1	Line Voltage, Round Single Light	IR2	Line Voltage, Round Double Light	<table border="1"> <tr><td>ABL</td><td>Aluminum Black</td></tr> <tr><td>ABR</td><td>Aluminum Bronze</td></tr> <tr><td>AWH</td><td>Aluminum White</td></tr> <tr><td>AAC</td><td>Aluminum Anodized Clear²</td></tr> <tr><td>NBR</td><td>Natural Brass²</td></tr> <tr><td>NCU</td><td>Natural Copper²</td></tr> <tr><td>NSS</td><td>Natural Stainless Steel²</td></tr> <tr><td>CCC</td><td>Custom Finish²</td></tr> </table>	ABL	Aluminum Black	ABR	Aluminum Bronze	AWH	Aluminum White	AAC	Aluminum Anodized Clear ²	NBR	Natural Brass ²	NCU	Natural Copper ²	NSS	Natural Stainless Steel ²	CCC	Custom Finish ²	<table border="1"> <tr><th colspan="2">VOLTAGE</th></tr> <tr><td>120V</td><td>120V (Phase Control)¹</td></tr> <tr><td>UNIV</td><td>120V-277V (0-10V)</td></tr> </table>	VOLTAGE		120V	120V (Phase Control) ¹	UNIV	120V-277V (0-10V)	<table border="1"> <tr><th colspan="2">WATTAGE PER LIGHT</th></tr> <tr><td>04W</td><td>4 Watts (250lm)</td></tr> <tr><td>08W</td><td>8 Watts</td></tr> <tr><td>SPW</td><td>Specialty³</td></tr> </table>	WATTAGE PER LIGHT		04W	4 Watts (250lm)	08W	8 Watts	SPW	Specialty ³	<table border="1"> <tr><th colspan="2">CCT</th></tr> <tr><td>27</td><td>2700K</td></tr> <tr><td>30</td><td>3000K</td></tr> <tr><td>35</td><td>3500K</td></tr> <tr><td>40</td><td>4000K</td></tr> <tr><td>AM</td><td>Amber³</td></tr> <tr><td>CC</td><td>Custom LED</td></tr> </table>	CCT		27	2700K	30	3000K	35	3500K	40	4000K	AM	Amber ³	CC	Custom LED
IR1	Line Voltage, Round Single Light																																																				
IR2	Line Voltage, Round Double Light																																																				
ABL	Aluminum Black																																																				
ABR	Aluminum Bronze																																																				
AWH	Aluminum White																																																				
AAC	Aluminum Anodized Clear ²																																																				
NBR	Natural Brass ²																																																				
NCU	Natural Copper ²																																																				
NSS	Natural Stainless Steel ²																																																				
CCC	Custom Finish ²																																																				
VOLTAGE																																																					
120V	120V (Phase Control) ¹																																																				
UNIV	120V-277V (0-10V)																																																				
WATTAGE PER LIGHT																																																					
04W	4 Watts (250lm)																																																				
08W	8 Watts																																																				
SPW	Specialty ³																																																				
CCT																																																					
27	2700K																																																				
30	3000K																																																				
35	3500K																																																				
40	4000K																																																				
AM	Amber ³																																																				
CC	Custom LED																																																				

Readymade eligible configurations ship in 2 to 4 weeks.

¹ 120V Phase Control Dimming available for 4W version only.

² Consult factory for specialty finish quoting and lead times.

³ For Specialty AM (Amber LED), select SPW (Specialty) for Wattage. Consult factory for LED technical details before Specification or Order.

OPTIONAL INSTALLED ACCESSORIES

GLARE SHIELD ACCESSORIES

BD	Barndoor Glare Shields
-----------	------------------------

MOUNTING (Most common listed, see Page 4 for additional options)

GROUND MOUNT	
MHJB-06-BRZ	6" Stainless Steel 3-Prong Spike (120-277V) Bronze
MHJB-12-BRZ	12" Stainless Steel 3-Prong Spike (120-277V) Bronze
JB-1	Brass In-ground Junction Box
CANOPY MOUNT	
CM1-XXX	3.75" Square Canopy Plate
CM3-XXX	4.75" Square Canopy Plate
CM5-XXX	5" Round Canopy Plate
CM5-2-XXX	5" Round Canopy Plate - Double
SURFACE MOUNT	
CMLJ-XXX	2.7" Round Surface Box
CB4.0-XXX	4" Round Surface Box
CB5.5-XXX	5.5" Round Surface Box
EXTENSIONS	
EXF-12-XXX	ZFL 12" Extension
EXF-24-XXX	ZFL 24" Extension

ADDITIONAL GLARE SHIELD ACCESSORIES

BD-ZFL16-XXX	Barndoor Glare Shields
---------------------	------------------------

- Consult Accessory Spec Sheet for desired option code.
- XXX represents color option.
- Readymade options available in ABL and ABR only unless noted by the part code above.

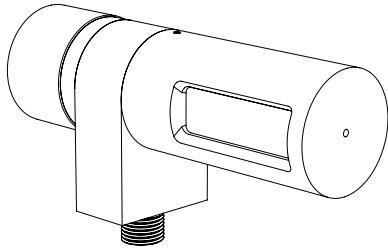
OUTDOOR MAGNETIC TRANSFORMERS (120V input/12VAC Output)

TRANSFORMERS (Go to [Accessories](#) for detailed specification)

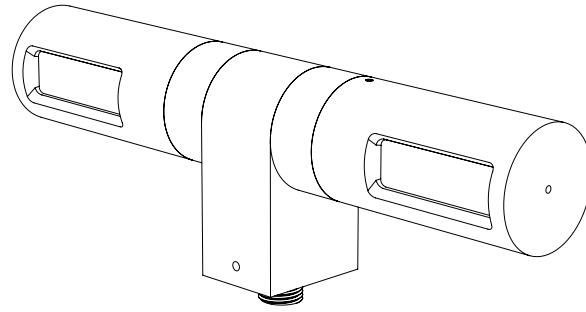
EXAMPLE: TXM-20-120

MODEL	WATTAGE (VA)	PRIMARY VOLTAGE (VAC)
TXM Compact, damp location magnetic transformer 12VAC Output MLV Dimming	20, 40, 60, 100, 150, 300	120, 277
TXM Stainless steel, wet location outdoor magnetic transformer with integrated light sensor Multitap 12VAC Output MLV Dimming	300	OTR-SS (120V Only)
TXS Stainless steel, wet location outdoor magnetic transformer Multitap 12VAC Output MLV Dimming	150, 300, 600	SS (120V Only)
IGT In-grade outdoor magnetic transformer 12VAC Output MLV Dimming	50 (120V Only), 100, 300, 600	120, 277
TXE In-fixture or near mounted electronic transformer 12VAC Output ELV Dimming Enclosure by others	60	120, 230, 277

PRODUCT DRAWINGS

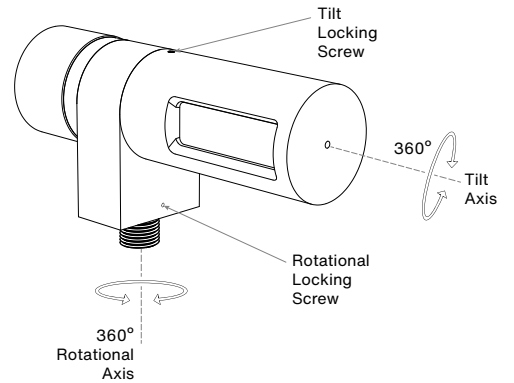
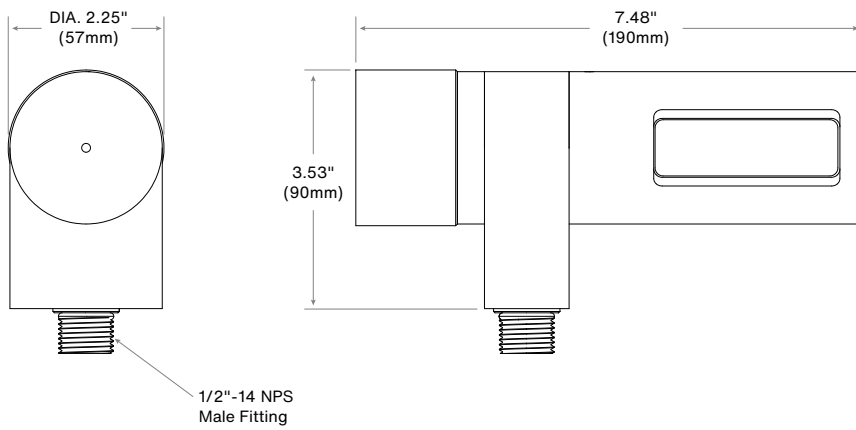


ZFL16-IR1
Single

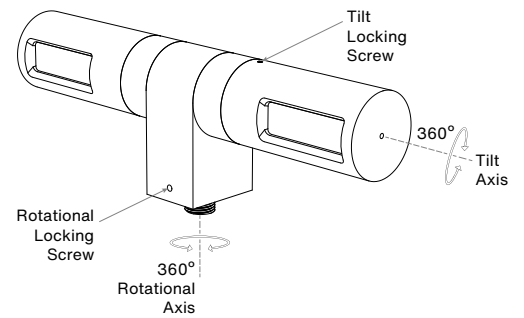
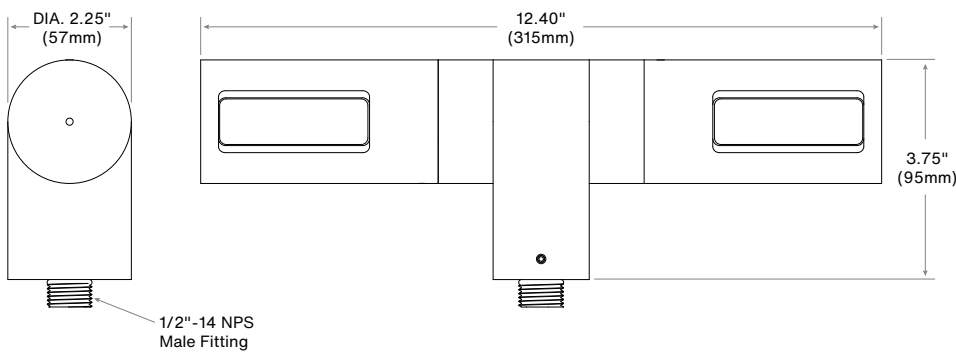


ZFL16-IR2
Double

ZFL16-IR1



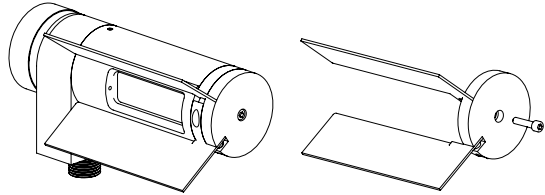
ZFL16-IR2



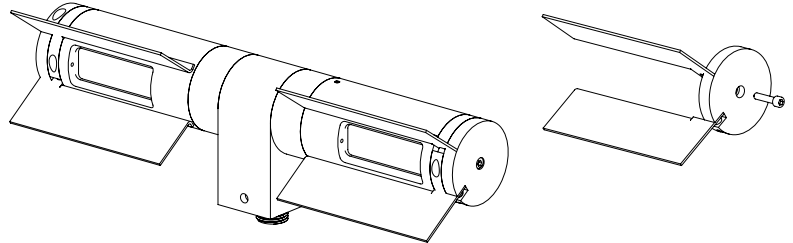
OPTIONS & ACCESSORIES

OPTIONAL GLARE SHIELD

Barn Door For ZFL16 Series-Single
Fastened With Set Screw



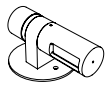
Barn Door For ZFL16 Series-Double
Fastened With Set Screw



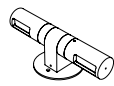
MOUNTING ACCESSORIES

Go to [Accessories](#) for additional options and full specifications.

Canopy Mount:



Fixture On CM5



Double On CM5



CM1



CM3



CM5



CM5-2

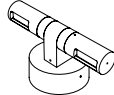


CM2

Surface Mount Box:



Fixture On CB5.5



Double On CB5.5



CMLJ



CB4.0



CB5.5



CB5.5-K/O



CB5.1

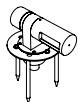


CB4.0-SQ

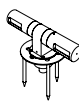


CB3.5

Ground Mount:



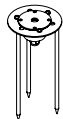
Fixture On MHJB



Double On MHJB



MHJB-06



MHJB-12

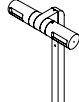


JB-1

Extension:



Fixture With EXF



Double With EXF



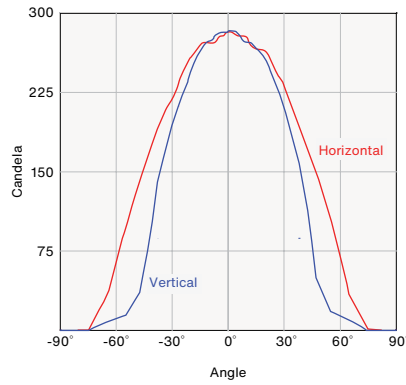
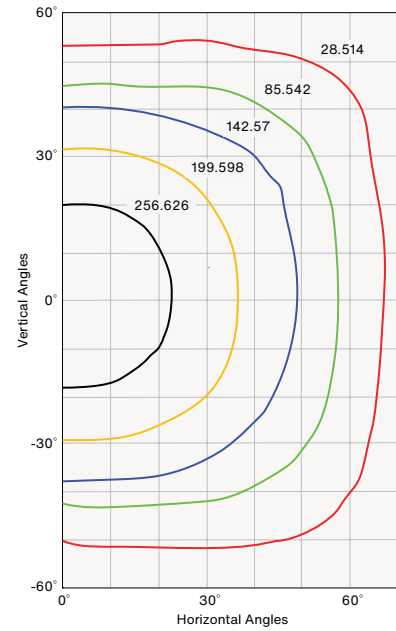
EXF

Ready-made eligible configurations ship in 2 to 4 weeks.

Notes:

PHOTOMETRY & ENERGY DATA
ZFL16-I

Input Power	7.5W
Color Temperature (CCT)	3000K
Color Rendering Index (Ra)	83
Horizontal Beam Angle	96.4°
Vertical Beam Angle	77.1°
Max. Candlepower	285cd
Delivered Lumens	508lm
Efficacy	67.7lm/W

Axial Candela Display

Isocandela Curves


Maximum Candela = 285.14 Located at
 Horizontal Angle = 0°, Vertical Angle = 0°
 50% Maximum Candela = 142.57
 10% Maximum Candela = 28.514

WATTAGE MULTIPLIER

Wattage	Multiplier
4 Watt	0.50
8 Watt	1.00

CCT MULTIPLIER

Color Temp.	Multiplier
2700k	0.97
3000k	1.00
4000k	1.05