

ZFL16

(includes former ZXLF model)

FLOOD & WALL WASH | ZFL16 Series | 2.25"
4 - 8W (250 - 500lm) | 12V | HK LED, Amber



IP67



Low Voltage Round Flood Light: ZFL16-0R1



Low Voltage Double Round Flood Light: ZFL16-0R2

FEATURES

- Strong 12V LED round flood light for wall wash, landscape, hardscape, and signage illumination, available in single and double light configurations.
- 4W, 8W integrated HK LED delivering 250 - 500 lumens per light. 2700 - 4000K CCT, including specialty Amber option.
- Wet Location Listed, IP67 Standard.
- Machined from solid aircraft grade (6061-T6), corrosion-resistant aluminum, then anodized and powder coated to create a highly durable, marine grade finish. Also available in solid brass or stainless steel.
- 360° vertical and 360° horizontal adjustment via unique swivel stem design.
- Available ground, surface, and canopy mounting options.
- Every fixture tested end of line for water tightness and light quality.
- Readymade eligible configurations ship in 2 to 4 weeks, complete with selected accessories installed.

SPECIFICATIONS

<p>Materials Solid billet 6061-T6 corrosion resistant aluminum with 304 stainless steel hardware.</p>	<p>Voltage 12V AC/DC. Requires remote step down transformer.</p>	<p>Optics Includes Solite Soft Focus lens for smooth, even distribution of light.</p>
<p>Finish Aluminum materials are first anodized and then powder coated for a robust, marine grade finish. Stainless steel and brass models are provided with brushed surface.</p>	<p>Wattage 4 or 8W HK LED delivering 250 to 500 lumens.</p>	<p>Mounting Mounts using 1/2"-14 NPS male fitting compatible with all HK Lighting Group mounting devices. (See page 4 for details).</p>
<p>Optional Barn Door Style Glare Shield Optional barn doors for glare control and precision cut off. (See page 4 for details).</p>	<p>Light Engine Innovative HK LED light engine. CRI 90 Standard. Available in CRI 80 or CRI 95 upon request. Standard CCT options are 2700K, 3000K, 3500K, 4000K. Amber option available. Consult factory for specialty LED specification details.</p>	<p>Listings ETL Listed for Wet Location, IP67 Standard. RoHS Compliant.</p>
	<p>Dimming MLV or ELV Phase Control dimming.</p>	

ORDERING GUIDE

EXAMPLE: ZFL16-0R1-ABL-012V08W-30-BD-MH02-06-BRZ

MODEL	PHYSICAL OPTIONS	MATERIAL /FINISH	POWER	LIGHT																																															
ZFL16			012V																																																
ZFL16 Series Round Flood Light Integrated HK LED	<table border="1"> <tr><td>OR1</td><td>Low Voltage, Round Single Light</td></tr> <tr><td>OR2</td><td>Low Voltage, Round Double Light</td></tr> </table>	OR1	Low Voltage, Round Single Light	OR2	Low Voltage, Round Double Light	<table border="1"> <tr><td>ABL</td><td>Aluminum Black</td></tr> <tr><td>ABR</td><td>Aluminum Bronze</td></tr> <tr><td>AWH</td><td>Aluminum White</td></tr> <tr><td>AAC</td><td>Aluminum Anodized Clear¹</td></tr> <tr><td>NBR</td><td>Natural Brass¹</td></tr> <tr><td>NCU</td><td>Natural Copper¹</td></tr> <tr><td>NSS</td><td>Natural Stainless Steel¹</td></tr> <tr><td>CCC</td><td>Custom Finish¹</td></tr> </table>	ABL	Aluminum Black	ABR	Aluminum Bronze	AWH	Aluminum White	AAC	Aluminum Anodized Clear ¹	NBR	Natural Brass ¹	NCU	Natural Copper ¹	NSS	Natural Stainless Steel ¹	CCC	Custom Finish ¹	<table border="1"> <tr><th colspan="2">VOLTAGE</th></tr> <tr><td>012V</td><td>12V AC</td></tr> </table>	VOLTAGE		012V	12V AC	<table border="1"> <tr><th colspan="2">WATTAGE</th></tr> <tr><td>04W</td><td>4 Watts (200lm)</td></tr> <tr><td>08W</td><td>8 Watts (400lm)</td></tr> <tr><td>SPW</td><td>Specialty²</td></tr> </table>	WATTAGE		04W	4 Watts (200lm)	08W	8 Watts (400lm)	SPW	Specialty ²	<table border="1"> <tr><th colspan="2">CCT</th></tr> <tr><td>27</td><td>2700K</td></tr> <tr><td>30</td><td>3000K</td></tr> <tr><td>35</td><td>3500K</td></tr> <tr><td>40</td><td>4000K</td></tr> <tr><td>AM</td><td>Amber²</td></tr> <tr><td>CC</td><td>Custom LED</td></tr> </table>	CCT		27	2700K	30	3000K	35	3500K	40	4000K	AM	Amber ²	CC	Custom LED
OR1	Low Voltage, Round Single Light																																																		
OR2	Low Voltage, Round Double Light																																																		
ABL	Aluminum Black																																																		
ABR	Aluminum Bronze																																																		
AWH	Aluminum White																																																		
AAC	Aluminum Anodized Clear ¹																																																		
NBR	Natural Brass ¹																																																		
NCU	Natural Copper ¹																																																		
NSS	Natural Stainless Steel ¹																																																		
CCC	Custom Finish ¹																																																		
VOLTAGE																																																			
012V	12V AC																																																		
WATTAGE																																																			
04W	4 Watts (200lm)																																																		
08W	8 Watts (400lm)																																																		
SPW	Specialty ²																																																		
CCT																																																			
27	2700K																																																		
30	3000K																																																		
35	3500K																																																		
40	4000K																																																		
AM	Amber ²																																																		
CC	Custom LED																																																		

Ready-made eligible configurations ship in 2 to 4 weeks.

¹ Consult factory for specialty finish quoting and lead times.

² For Specialty AM (Amber LED), select SPW (Specialty) for Wattage. Consult factory for LED technical details before Specification or Order.

³ Due to the weight of the product, not recommended for use in soft soil.

OPTIONAL INSTALLED ACCESSORIES

GLARE SHIELD ACCESSORIES

BD	Barn Door Glare Shields
-----------	-------------------------

MOUNTING (Most common listed, see Page 4 for additional options)

GROUND MOUNT	
MHCS-06	6" PVC Single Prong Spike (12V) ³
MHCS-12	12" PVC Single Prong Spike (12V) ³
MH02-06-BRZ	6" Stainless Steel 3-Prong Spike (12V) Bronze
MH02-12-BRZ	12" Stainless Steel 3-Prong Spike (12V) Bronze
JB-1	Brass In-ground Junction Box
CANOPY MOUNT	
CM1-XXX	3.75" Square Canopy Plate
CM3-XXX	4.75" Square Canopy Plate
CM5-XXX	5" Round Canopy Plate
CM5-2-XXX	5" Round Canopy Plate - Double
SURFACE MOUNT	
CMLJ-XXX	2.7" Round Surface Box
CB4.0-XXX	4" Round Surface Box
CB5.5-XXX	5.5" Round Surface Box
EXTENSIONS	
EXF-12-XXX	ZFL 12" Extension
EXF-24-XXX	ZFL 24" Extension

- Consult Accessory Spec Sheet for desired option code.
- XXX represents color option.
- Ready-made options available in ABL and ABR only unless noted by the part code above.

ADDITIONAL GLARE SHIELD ACCESSORIES

BD-ZFL16-XXX	Barn Door Glare Shield
---------------------	------------------------

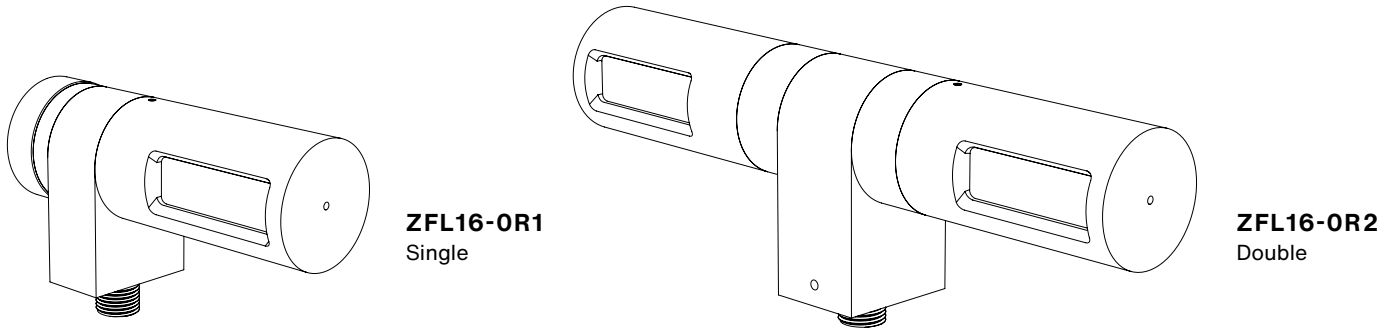
OUTDOOR MAGNETIC TRANSFORMERS (120V input/12VAC Output)

TRANSFORMERS (Go to [Accessories](#) for detailed specification)

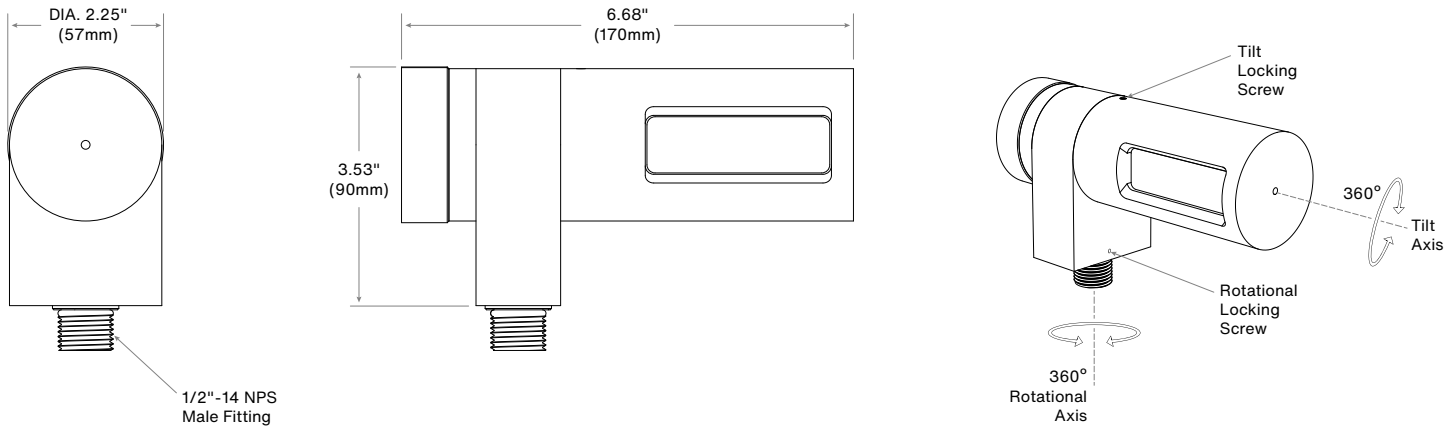
EXAMPLE: TXM-300-OTR-SS

MODEL		WATTAGE (VA)						PRIMARY VOLTAGE (VAC)	
TXM	Stainless steel, wet location outdoor magnetic transformer with integrated light sensor Multitap 12VAC Output MLV Dimming	300						OTR-SS (120V Only)	
TXS	Stainless steel, wet location outdoor magnetic transformer Multitap 12VAC Output MLV Dimming	150	300	600				SS (120V Only)	
TXM	Compact, damp location magnetic transformer 12VAC Output MLV Dimming	20	40	60	100	150	300	120	277
IGT	In-grade outdoor magnetic transformer 12VAC Output MLV Dimming	50 (120V Only)			100	300	600	120	277
TXE	In-fixture or near mounted electronic transformer 12VAC Output ELV Dimming Enclosure by others	60						120	277

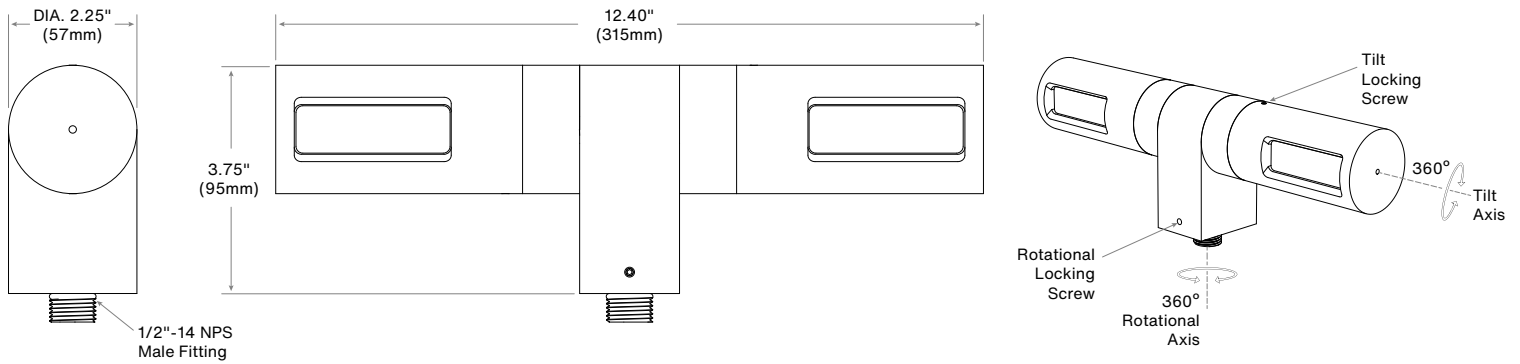
PRODUCT DRAWINGS



ZFL16-OR1



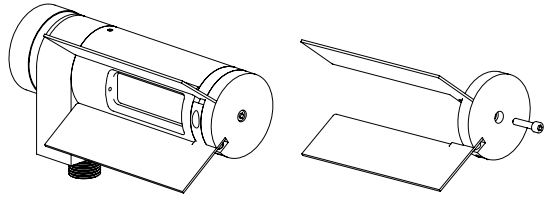
ZFL16-OR2



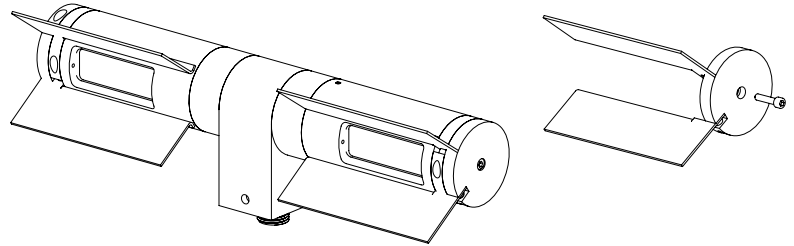
OPTIONS & ACCESSORIES

OPTIONAL GLARE SHIELD

Barn Door For ZFL16 Series-Single
Fastened With Set Screw



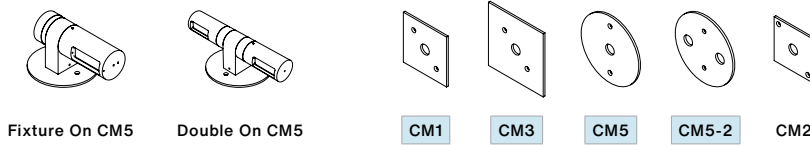
Barn Door For ZFL16 Series-Double
Fastened With Set Screw



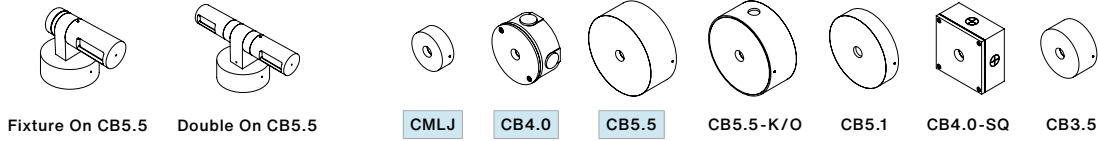
MOUNTING ACCESSORIES

Go to [Accessories](#) for additional options and full specifications.

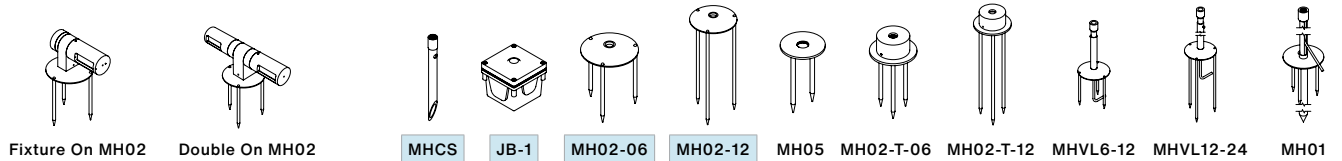
Canopy Mount:



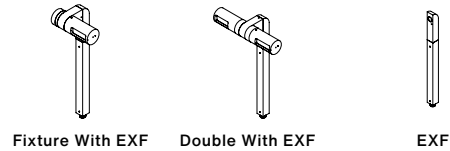
Surface Mount Box:



Ground Mount:



Extension:

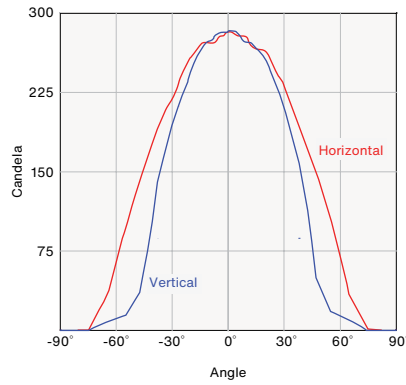
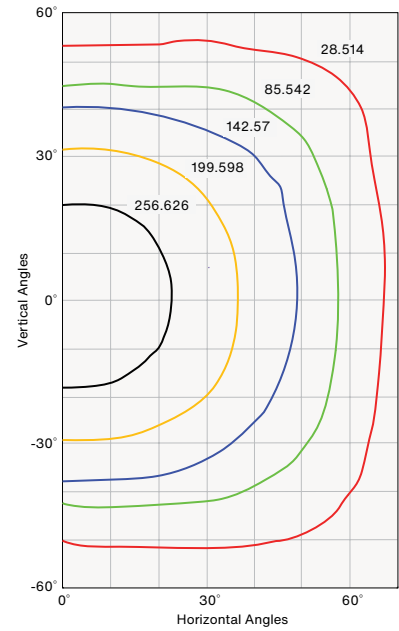


 Readymade eligible configurations ship in 2 to 4 weeks.

Notes:

PHOTOMETRY & ENERGY DATA (Per Head)
ZFL16

Input Power	7.5W
Color Temperature (CCT)	3000K
Color Rendering Index (Ra)	83
Horizontal Beam Angle	96.4°
Vertical Beam Angle	77.1°
Max. Candlepower	285cd
Delivered Lumens	508lm
Efficacy	67.7lm/W

Axial Candela Display

Isocandela Curves


Maximum Candela = 285.14 Located at
 Horizontal Angle = 0°, Vertical Angle = 0°
 50% Maximum Candela = 142.57
 10% Maximum Candela = 28.514

WATTAGE MULTIPLIER

Wattage	Multiplier
4 Watt	0.50
8 Watt	1.00

CCT MULTIPLIER

Color Temp.	Multiplier
2700k	0.97
3000k	1.00
4000k	1.05