

# ZP16 (GU10)

(includes former PATH-1-GU10-SOi & PATH-2-GU10-SOi models)

PATH & BOLLARD | ZP16 Series | 2.25"

7.5W (600LM) | 120, 230V | SORAA, LED Lamp, Halogen



## FEATURES

- Versatile directional 120V/230V MR16 (GU10) path light for residential and commercial environments.
- Flexible lamp configurations include SORAA LED Lamp with patented Heat Sink or use your preferred LED or Halogen lamp.
- Wet Location Listed, IP67 Standard.
- Machined from solid aircraft grade (6061-T6), corrosion-resistant aluminum, then anodized and powder coated to create a highly durable, marine grade finish. Also available in solid brass or stainless steel.
- 240° vertical and 360° horizontal light adjustment via locking swivel stem design.
- Modular components, field changeable LED optical beams, and lenses.
- Available with adjustable Angled, Long, and Short Glare Shields and ground, surface, and canopy mounting options.
- Single and double light mounting options at 12", 24", 30" or custom height.
- Every fixture tested end of line for water tightness and light quality.
- Readymade eligible configurations ship in 2 to 4 weeks, complete with selected accessories installed.

## SECIFICATIONS

### Materials

Solid billet 6061-T6 corrosion resistant aluminum with 304 stainless steel hardware.

### Finish

Aluminum materials are first anodized and then powder coated for a robust, marine grade finish. Stainless steel and brass models are provided with brushed surface.

### Hood and Glare Shield

Weeping and Non-weeping Hood Styles. Set screw or threaded Angled, Short, or Long Glare Shields. (See page 4 for details).

### Voltage

12V AC/DC. Requires remote step down transformer.

### Wattage

Max 9W for SORAA MR16 lamp with Thermobuster. Max 50W for halogen lamp.

### Light Engine

MR16 GU10 Halogen lamp or MR16 GU10 SORAA® LED lamp. Please refer to [SORAA MR16 GU10](#) for lamp selection.

### Dimming

MLV, ELV Phase Control Dimming at 120V. Please refer to website for [SORAA® GU10](#) dimmer compatibility.

### Lamp Base/Socket

Porcelain GU10 twist - lock lamp base.

### Optics

Accepts up to 3 accessories (hexcel louver, optical lenses, dichroic color filters, etc.). Secured in place with metal snap ring.

### Mounting

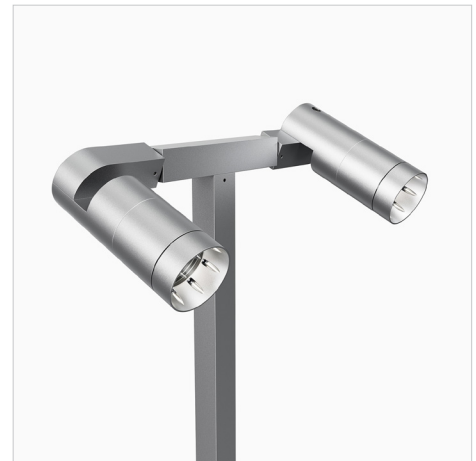
Mounts using 1/2"-14 NPS male fitting compatible with all HK Lighting Group mounting devices. (See page 4 for details).

### Listings

ETL Listed for Wet Location, IP67 Standard. RoHS Compliant.



GU10 Path Light: ZP16-1R1SA-ABL



Twin Head GU10 Path Light: ZP16-1R2SA-AAC



### Integral SORAA® Heat Sink

US patented Thermobuster™ provides extra heat dissipation that reduces the lamp junction temperature by 77°F(25°C). Enables even the highest wattage SORAA® lamps to be used in an enclosed fixture without sacrificing its performance or life expectancy.

## ORDERING GUIDE

EXAMPLE: ZP16-1R1SA-ABL-120VSL-08750-12-MHJB-06-BRZ

MODEL	PHYSICAL OPTIONS			MATERIAL / FINISH		POWER		SORAA LAMP		EXTENSION SIZE	
<b>ZP16</b> ZP16 Series 2.25" Path Light Integrated HK LED											
	<b>TYPE</b>	<b>STYLE</b>	<b>HOOD</b>	<b>ABL</b>	Aluminum Black	<b>VOLTAGE</b>	<b>LAMP</b>	<b>XXXXX</b>	SORAA LED Lamp Code	<b>LENGTH</b>	
<b>1R1</b>	Line Voltage, Round Single Light	<b>S</b> Standard	<b>A</b> A Style: Weeping	<b>ABR</b>	Aluminum Bronze	<b>120V</b>	120V AC (GU10 Lamp)	<b>NL</b>	No Lamp <sup>2</sup>	<b>12</b>	12"
<b>1R2</b>	Line Voltage, Round Double Light		<b>B</b> B Style: No Weep Holes	<b>AWH</b>	Aluminum White	<b>230V</b>	230V AC (GU10 Lamp)	<b>SL</b>	SORAA Lamp Included <sup>3</sup>	<b>24</b>	24"
			<b>C</b> C Style: Threaded, Weeping	<b>AAC</b>	Aluminum Anodized Clear <sup>1</sup>			<b>SN</b>	SORAA Lamp Not Included <sup>3</sup>	<b>30</b>	30"
				<b>NBR</b>	Natural Brass <sup>1</sup>			<b>CC</b>	Custom Lamp Included	<b>CC</b>	Custom
				<b>NCU</b>	Natural Copper <sup>1</sup>						
				<b>NSS</b>	Natural Stainless Steel <sup>1</sup>						
				<b>CCC</b>	Custom Finish <sup>1</sup>						

  Readymade eligible configurations ship in 2 to 4 weeks.  
<sup>1</sup> Consult factory for specialty finish quoting and lead times  
<sup>2</sup> Compatible with Halogen Lamp  
<sup>3</sup> Only compatible with SORAA LED Lamp  
<sup>4</sup> 120V Only

## OPTIONAL INSTALLED ACCESSORIES

### GLARE SHIELD

<b>GSA</b>	A/B Glare Shield Angled
<b>GSL</b>	A/B Glare Shield Long
<b>GSS</b>	A/B Glare Shield Short
<b>CGSA</b>	C Glare Shield Angled
<b>CGSL</b>	C Glare Shield Long
<b>CGSS</b>	C Glare Shield Short

### OPTIC

<b>LVR</b>	Hexcel Louver
<b>OSL</b>	Overall Spread Lens
<b>LSL</b>	Linear Spread Lens
<b>SOL</b>	Solite Soft Focus
<b>DCF</b>	Dichroic Filter

### MOUNTING (Most common listed, see Page 4 for additional options)

<b>GROUND MOUNT</b>	
<b>MHJB-06-BRZ</b>	6" Stainless Steel 3-Prong Spike (120 - 230V) Bronze
<b>MHJB-12-BRZ</b>	12" Stainless Steel 3-Prong Spike (120 - 230V) Bronze
<b>JB-1</b>	Brass In-ground Junction Box
<b>CANOPY MOUNT</b>	
<b>CM1-XXX</b>	3.75" Square Canopy Plate
<b>CM3-XXX</b>	4.75" Square Canopy Plate
<b>CM5-XXX</b>	5" Round Canopy Plate
<b>CM5-2-XXX</b>	5" Round Canopy Plate - Double
<b>SURFACE MOUNT</b>	
<b>CMLJ-XXX</b>	2.7" Round Surface Box
<b>CB4.0-XXX</b>	4" Round Surface Box
<b>CB5.5-XXX</b>	5.5" Round Surface Box

- Consult Accessory Spec Sheet for desired option code.
- XXX represents color option.
- Readymade options available in ABL and ABR only unless noted by the part code above.

## ADDITIONAL ACCESSORIES (Not installed at time of order)

### GLARE SHIELD ACCESSORIES

<b>GSL-16-XXX</b>	A/B Glare Shield Long
<b>GSA-16-XXX</b>	A/B Glare Shield Angled
<b>GSS-16-XXX</b>	A/B Glare Shield Short
<b>CGSL-16-XXX</b>	C Glare Shield Long
<b>CGSA-16-XXX</b>	C Glare Shield Angled
<b>CGSS-16-XXX</b>	C Glare Shield Short

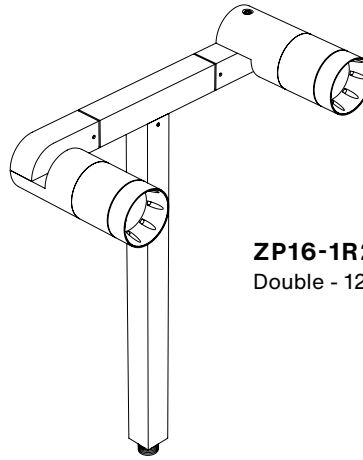
### OPTIC ACCESSORIES

<b>LVR-16</b>	Hexcel Louver
<b>OSL-16</b>	Overall Spread Lens
<b>LSL-16</b>	Linear Spread Lens
<b>SOL-16</b>	Solite Soft Focus
<b>DCF-16</b>	Dichroic Filter
<b>OPK-16</b>	Optic Kit - Narrow, Medium, Wide

## PRODUCT DRAWINGS

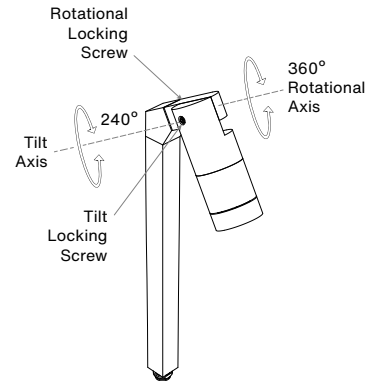
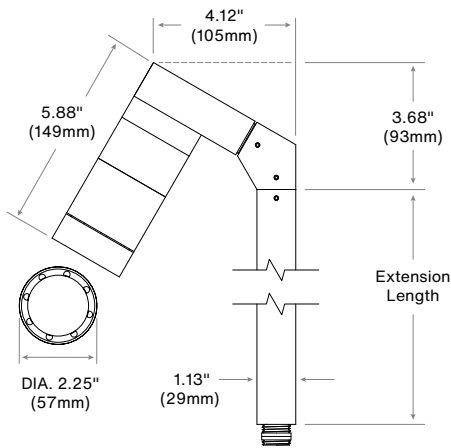


**ZP16-1R1SA**  
Single - 12" Extension

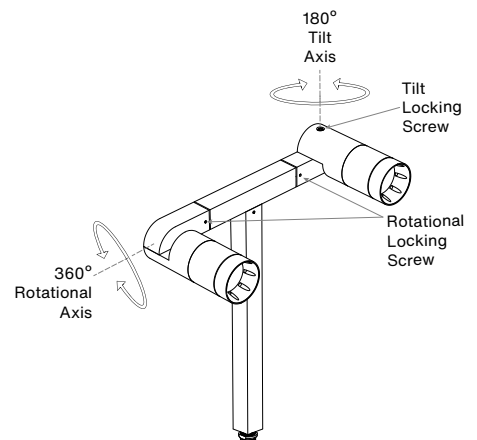
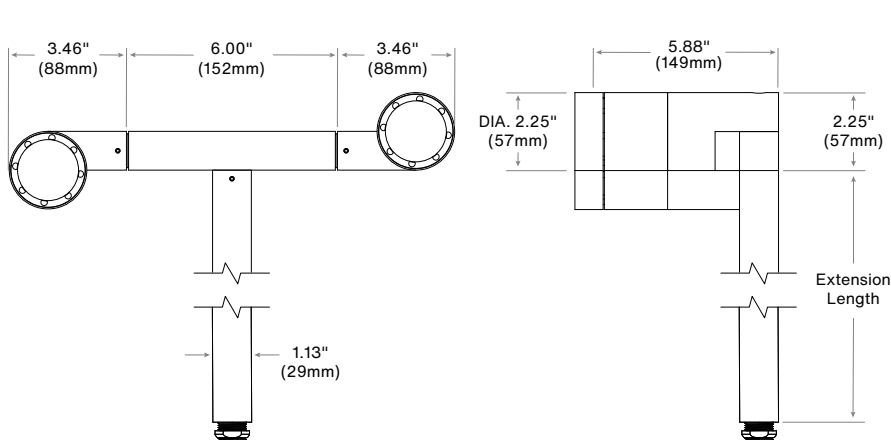


**ZP16-1R2SA**  
Double - 12" Extension

### ZP16-1R1SA

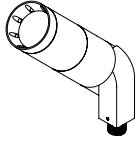


### ZP16-1R2SA

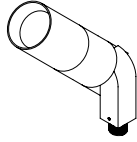


## OPTIONS & ACCESSORIES

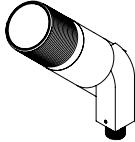
### HOOD OPTIONS



**A-HOOD**  
Versatile hood with 8 weep holes for water drainage. Regressed lens for glare control. Suggested for general use or when fixture is aimed in an up position.



**B-HOOD**  
Similar to A hood but without weep holes. Regressed lens for glare control. Used in an interior or down light application.

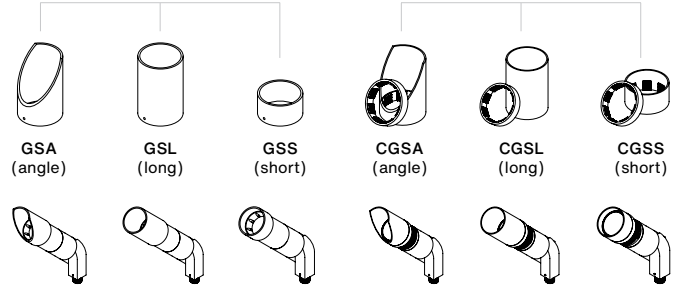


**C-HOOD**  
Flush hood with machined threading on the outside for attachment of C-style glare shield, cleverly designed with hidden drainage channels.

### OPTIONAL GLARE SHIELD

For use with A & B Hood, fastened with Set Screw

For use with C Hood fastened with Locking Ring



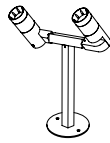
### MOUNTING ACCESSORIES

Go to [Accessories](#) for additional options and full specifications.

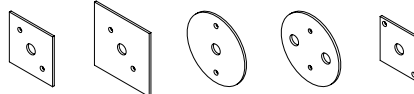
#### Canopy Mount:



Fixture On CM5

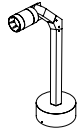


Double On CM5

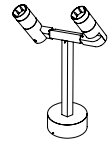


CM1 CM3 CM5 CM5-2 CM2

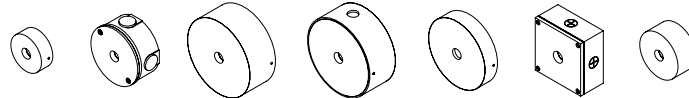
#### Surface Mount Box:



Fixture On CB5.5

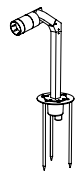


Double On CB5.5

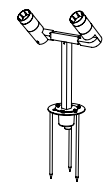


CMLJ CB4.0 CB5.5 CB5.5-K/O CB5.1 CB4.0-SQ CB3.5

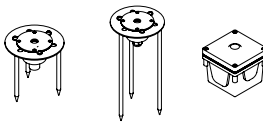
#### Ground Mount:



Fixture On MHJB-12

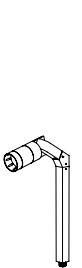


Double On MHJB-12

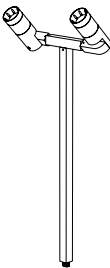


MHJB-06 MHJB-12 JB-1

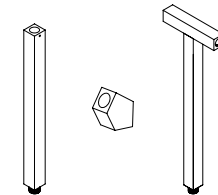
#### Extension:



Fixture with EX-12 and EL



Double with ET-30



EX EL ET

■ Readymade eligible configurations ship in 2 to 4 weeks.