

ZP16

(includes former PATH-1-SOi & PATH-2-SOi models)

PATH & BOLLARD | ZP16 Series | 2.25"

7.5W (640lm) | 12V | SORAA, LED Lamp, Halogen



FEATURES

- Versatile directional 12V MR16 (GU5.3) path light for residential and commercial environments.
- Flexible lamp configurations include SORAA LED Lamp with patented Heat Sink or use your preferred LED or Halogen lamp.
- Wet Location Listed, IP67 Standard.
- Machined from solid aircraft grade (6061-T6), corrosion-resistant aluminum, then anodized and powder coated to create a highly durable, marine grade finish. Also available in solid brass or stainless steel.
- 240° vertical and 360° horizontal light adjustment via locking swivel stem design.
- Modular components, field changeable LED optical beams, and lenses.
- Available with adjustable Angled, Long, and Short Glare Shields and ground, surface.
- Single and double light mounting options at 12", 24", 30" or custom height.
- Every fixture tested end of line for water tightness and light quality.
- Readymade eligible configurations ship in 2 to 4 weeks, complete with selected accessories installed.

SECIFICATIONS

Materials

Solid billet 6061-T6 corrosion resistant aluminum with 304 stainless steel hardware.

Finish

Aluminum materials are first anodized and then powder coated for a robust, marine grade finish. Stainless steel and brass models are provided with brushed surface.

Hood and Glare Shield

Weeping and Non-weeping Hood Styles. Set screw or threaded Angled, Short, or Long Glare Shields. (See page 4 for details).

Voltage

12V AC/DC. Requires remote step down transformer.

Wattage

Max 9W for SORAA MR16 lamp with Thermobuster. Max 50W for halogen lamp.

Light Engine

MR16 Halogen lamp or MR16 SORAA® LED lamp. Please refer to [SORAA MR16 GU5.3](#) lamp selection.

Dimming

MLV, ELV Phase Control dimming. Please refer to website for [SORAA® MR16](#) dimmer compatibility.

Lamp Base/Socket

Standard bi-pin socket for GU5.3/G4/ GX5.3/GY6.35/GZ4.

Optics

Accepts up to 3 accessories (hexcel louver, optical lenses, dichroic color filters, etc.). Secured in place with metal snap ring.

Mounting

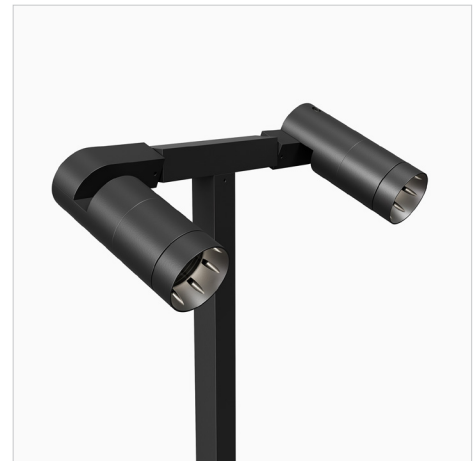
Mounts using 1/2"-14 NPS male fitting compatible with all HK Lighting Group mounting devices. (See page 4 for details).

Listings

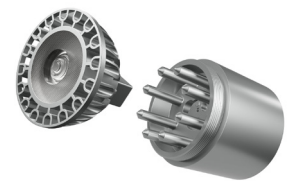
ETL Listed for Wet Location, IP67 Standard. RoHS Compliant.



Low Voltage Path Light: ZP16-0R1SA-ABR



Twin Head Low Voltage Path Light: ZP16-0R2SA-AAC



Integral SORAA® Heat Sink

US patented Thermobuster™ provides extra heat dissipation that reduces the lamp junction temperature by 77°F(25°C). Enables even the highest wattage SORAA® lamps to be used in an enclosed fixture without sacrificing its performance or life expectancy.

ORDERING GUIDE

EXAMPLE: ZP16-0R1SA-ABL-012VSL-08728-12-GSA-LVR-MH02-12-BRZ

MODEL	PHYSICAL OPTIONS			MATERIAL / FINISH		POWER	SORAA LAMP		EXTENSION	
ZP16			S			012V				
ZP16 Series 2.25" Path Light Integrated HK LED, SORAA LED Low Voltage (GU-5.3)	TYPE		STYLE	HOOD		VOLTAGE	LAMP		LENGTH	
	OR1	Low Voltage, Round Single Light	S Standard	A	A Style: Weeping	012V 12V AC (GU5.3 Lamp)	NL	No Lamp ²	12	12"
	OR2	Low Voltage, Round Double Light		B	B Style: No Weep Holes		SL	SORAA Lamp Included ³	24	24"
				C	C Style: Threaded, Weeping		SN	SORAA Lamp Not Included ³	30	30"
							CC	Custom Lamp Included	CC	Custom
					ABL	Aluminum Black				
					ABR	Aluminum Bronze				
					AWH	Aluminum White				
					AAC	Aluminum Anodized Clear ¹				
					NBR	Natural Brass ¹				
					NCU	Natural Copper ¹				
					NSS	Natural Stainless Steel ¹				
					CCC	Custom Finish ¹				

- Readymade eligible configurations ship in 2 to 4 weeks
- ¹ Consult factory for specialty finish quoting and lead times
- ² Compatible with Halogen Lamp
- ³ Only compatible with SORRA LED Lamp

OPTIONAL INSTALLED ACCESSORIES

GLARE SHIELD

GSA	A/B Glare Shield Angled
GSL	A/B Glare Shield Long
GSS	A/B Glare Shield Short
CGSA	C Glare Shield Angled
CGSL	C Glare Shield Long
CGSS	C Glare Shield Short

OPTIC

LVR	Hexcel Louver
OSL	Overall Spread Lens
LSL	Linear Spread Lens
SOL	Solite Soft Focus
DCF	Dichroic Filter

MOUNTING (Most common listed, see Page 4 for additional options)

GROUND MOUNT	
MH02-06-BRZ	6" Stainless Steel 3-Prong Spike (12V) Bronze
MH02-12-BRZ	12" Stainless Steel 3-Prong Spike (12V) Bronze
JB-1	Brass In-ground Junction Box
CANOPY MOUNT	
CM1-XXX	3.75" Square Canopy Plate
CM3-XXX	4.75" Square Canopy Plate
CM5-XXX	5" Round Canopy Plate
CM5-2-XXX	5" Round Canopy Plate - Double
SURFACE MOUNT	
CMLJ-XXX	2.7" Round Surface Box
CB4.0-XXX	4" Round Surface Box
CB5.5-XXX	5.5" Round Surface Box

ADDITIONAL ACCESSORIES (Not installed at time of order)

- Consult Accessory Spec Sheet for desired option code.
- XXX represents color option.
- Readymade options available in ABL and ABR only unless noted by the part code above.

GLARE SHIELD ACCESSORIES

GSL-16-XXX	A/B Glare Shield Long
GSA-16-XXX	A/B Glare Shield Angled
GSS-16-XXX	A/B Glare Shield Short
CGSL-16-XXX	C Glare Shield Long
CGSA-16-XXX	C Glare Shield Angled
CGSS-16-XXX	C Glare Shield Short

OPTIC ACCESSORIES

LVR-16	Hexcel Louver
OSL-16	Overall Spread Lens
LSL-16	Linear Spread Lens
SOL-16	Solite Soft Focus
DCF-16	Dichroic Filter
OPK-16	Optic Kit-Narrow, Medium, Wide

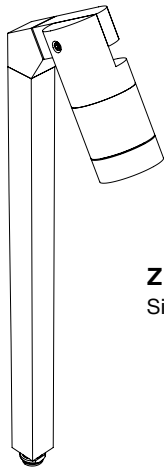
OUTDOOR MAGNETIC TRANSFORMERS (120V input/12VAC Output)

TRANSFORMERS (Go to [Accessories](#) for detailed specification)

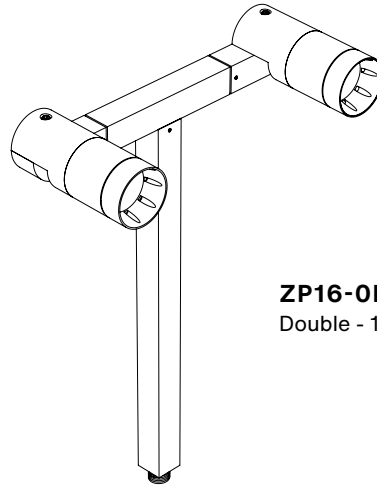
EXAMPLE: TXS-150-SS

MODEL		WATTAGE (VA)						PRIMARY VOLTAGE (VAC)	
TXM	Stainless steel, wet location outdoor magnetic transformer with integrated light sensor Multitap 12VAC Output MLV Dimming	300						OTR-SS (120V Only)	
TXS	Stainless steel, wet location outdoor magnetic transformer Multitap 12VAC Output MLV Dimming	150	300	600				SS (120V Only)	
TXM	Compact, damp location magnetic transformer 12VAC Output MLV Dimming	20	40	60	100	150	300	120	277
IGT	In-grade outdoor magnetic transformer 12VAC Output MLV Dimming	50 (120V Only)			100	300	600	120	277
TXE	In-fixture or near mounted electronic transformer 12VAC Output ELV Dimming Enclosure by others	60						120	277

PRODUCT DRAWINGS

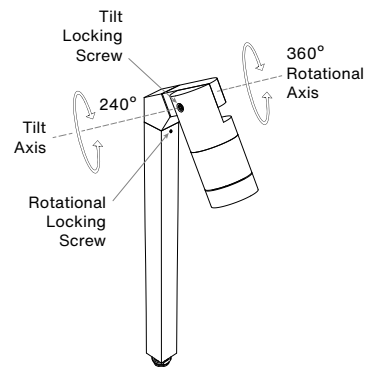
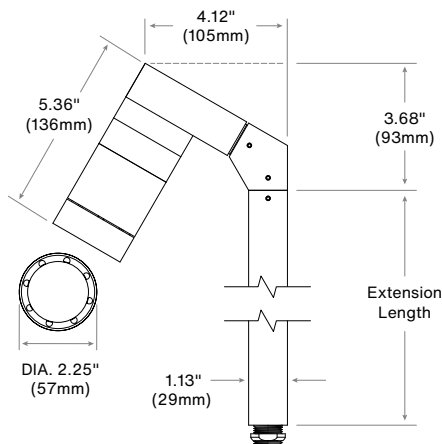


ZP16-OR1SA
Single - 12" Extension

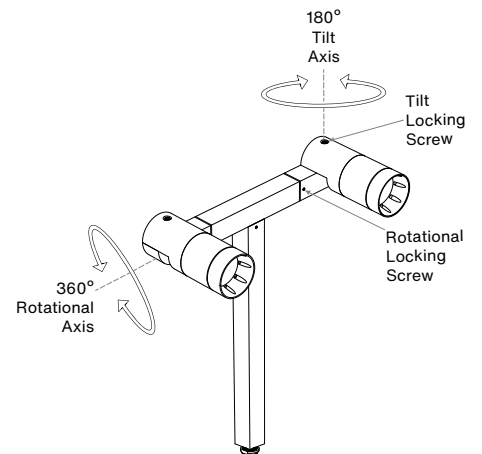
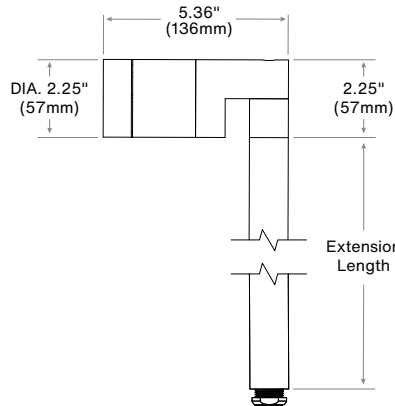
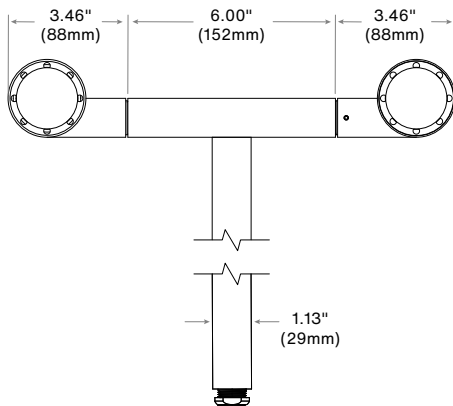


ZP16-OR2SA
Double - 12" Extension

ZP16-OR1SA

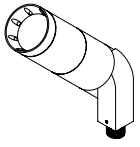


ZP16-OR2SA



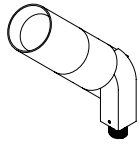
OPTIONS & ACCESSORIES

HOOD OPTIONS



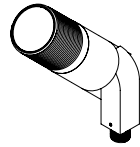
A HOOD

Versatile hood with 8 weep holes for water drainage. Regressed lens for glare control. Suggested for general use or when fixture is aimed in an up position.



B HOOD

Similar to A hood but without weep holes. Regressed lens for glare control. Suggested for downlighting and interior applications.



C HOOD

Designed for permanent use with a glare shield and innovative drainage design for water and debris. The machined threads enable ongoing glare shield adjustment, without impact to the paint surface.

OPTIONAL GLARE SHIELD

For use with A & B Hood, fastened with Set Screw



GSA
(angle)



GSL
(long)



GSS
(short)



For use with C Hood fastened with Locking Ring



CGSA
(angle)



CGSL
(long)



CGSS
(short)



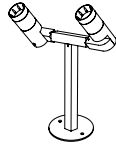
MOUNTING ACCESSORIES

Go to [Accessories](#) for additional options and full specifications.

Canopy Mount:



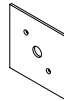
Fixture On CM1



Fixture On CM3



CM1



CM3



CM5

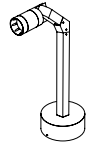


CM5-2

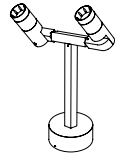


CM2

Surface Mount Box:



Fixture On CMLJ



Fixture On CB4.0



CMLJ



CB4.0



CB5.5



CB5.5-K/O



CB5.1

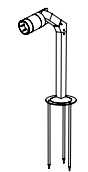


CB4.0-SQ

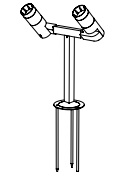


CB3.5

Ground Mount:



Fixture On JB-1



Fixture On MH02-06



JB-1



MH02-06



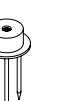
MH02-12



MH05



MH02-T-06



MH02-T-12



MHVL6-12



MHVL12-24



MH01

Ready-made eligible configurations ship in 2 to 4 weeks.

Notes: