

# ZPL08

(includes former PATH-1-08L-SQ model)

PATH & BOLLARD | ZPL08 Series | 1.13"

3W (200 LM) | 12V | HK LED, Amber



IP67



Finned Low Voltage Square Path Light: ZPL08-0S1F-ABR

## FEATURES

- Versatile compact directional 12V LED path light for residential environments.
- 3W integrated HK LED delivering 200 lumens per light. 2200-4000K CCT, including specialty Amber options.
- Wet Location Listed, IP67 Standard.
- Utilizes fully adjustable accent fixture head with directional light.
- Machined from solid aircraft grade (6061-T6), corrosion-resistant aluminum, then anodized and powder coated to create a highly durable, marine grade finish.
- Innovative hydrophobic lense coating ensures clean, bright light for years to come.
- 240° vertical and 360° horizontal adjustment via locking swivel stem design.
- Modular components, field changeable LED optical beams, and lenses.
- Available with adjustable Angled Glare Shields and ground, surface, and canopy mounting options.
- Single and double light mounting options at 12", 24", 30" or custom height.
- Every fixture tested end of line for water tightness and light quality.

## SPECIFICATIONS

### Materials

Machined from billet 6061-T6 corrosion resistant aluminum with 304 stainless steel hardware. Available in 304/316 stainless steel or 360 brass upon request.

### Finish

Aluminum materials are first anodized and then powder coated for a robust, marine grade finish. Stainless steel and brass models are provided with brushed surface.

### Glare Shield

Weeping Hood Style with Angled, Short, or Long Glare Shields. (See page 4 for details).

### Voltage

12V AC/DC. Requires remote step down transformer.

### Wattage

3W HK LED delivering 200 lumens per light.

### Light Engine

Innovative HK LED Light module operates like a lamp and can be easily changed in the field. CRI 90 Standard. Available in CRI 80 or CRI 95 upon request. Standard CCT options are 2700K, 3000K, 3500K, 4000K. Specialty 2200K, 2400K, 2500K, and Amber options available. Consult factory for specialty LED specification details.

### Dimming

MLV or ELV Phase Control dimming.

### Optics

Narrow (19°), Medium (26°), and Wide (51°) beam spread options available. Accepts up to 3 optical accessories (hexcel louver, optical lenses, dichroic color filters, etc.) Secured in place with metal snap ring.

### Mounting

Mounts using 1/2"-14 NPS male fitting compatible with all HK Lighting Group mounting devices. (See page 4 for details).

### Listings

ETL Listed for Wet Location, IP67 Standard. RoHS Compliant.

## ORDERING GUIDE

EXAMPLE: ZPL08-0S1F-ABL-012V03W-27N-12-GSA-LVR-MH02-06-BRZ

MODEL	PHYSICAL OPTIONS		MATERIAL /FINISH		POWER		LIGHT			EXTENSION SIZE		
<b>ZPL08</b>					<b>012V</b>							
ZPL08 Series 1.13" Path Light Integrated HK LED	<b>TYPE</b>	<b>STYLE</b>	<b>ABL</b> Aluminum Black		<b>VOLTAGE</b>	<b>WATTAGE PER LIGHT</b>	<b>CCT</b>		<b>OPTICS</b>		<b>LENGTH</b>	
	<b>OS1</b> Low Voltage, Square Single Light	<b>S</b> Standard	<b>ABR</b> Aluminum Bronze		<b>012V</b> 12V AC	<b>03W</b> 3 Watts (200lm)	<b>22</b> 2200K	<b>N</b> Narrow (19°)	<b>12</b> 12"	<b>12"</b> 12"		
	<b>OS2</b> Low Voltage, Square Double Light	<b>F</b> Finned	<b>AWH</b> Aluminum White			<b>SPW</b> Specialty <sup>2</sup>	<b>24</b> 2400K	<b>M</b> Medium (26°)	<b>24</b> 24" <sup>13</sup>	<b>24</b> 24" <sup>13</sup>		
			<b>AAC</b> Aluminum Anodized Clear <sup>1</sup>				<b>25</b> 2500K	<b>W</b> Wide (51°)	<b>30</b> 30" <sup>13</sup>	<b>30</b> 30" <sup>13</sup>		
			<b>NBR</b> Natural Brass <sup>1</sup>				<b>27</b> 2700K	<b>CC</b> Custom Optic	<b>CC</b> Custom	<b>CC</b> Custom		
			<b>NCU</b> Natural Copper <sup>1</sup>				<b>30</b> 3000K					
			<b>NSS</b> Natural Stainless Steel <sup>1</sup>				<b>35</b> 3500K					
			<b>CCC</b> Custom Finish <sup>1</sup>				<b>40</b> 4000K					
							<b>AM</b> Amber <sup>2</sup>					

<sup>1</sup> Consult factory for specialty finish quoting and lead times.

<sup>2</sup> For Specialty AM (Amber LED), select SPW (Specialty) for Wattage. Consult factory for LED technical details before Specification or Order.

<sup>3</sup> Recommend Stainless Steel 3-prong ground mount when using 24" and 30" extension lengths.

## OPTIONAL INSTALLED ACCESSORIES

### GLARE SHIELD

<b>GSA</b>	SQ Glare Shield Angled
<b>GSL</b>	SQ Glare Shield Long
<b>GSS</b>	SQ Glare Shield Short

### OPTIC

<b>LVR</b>	Hexcel Louver
<b>OSL</b>	Overall Spread Lens
<b>LSL</b>	Linear Spread Lens
<b>SOL</b>	Solite Soft Focus
<b>DCF</b>	Dichroic Filter

### MOUNTING (Most common listed, see Page 4 for additional options)

<b>GROUND MOUNT</b>	
<b>MH02-06-BRZ</b>	6" Stainless Steel 3-Prong Spike (12V) Bronze
<b>MH02-12-BRZ</b>	12" Stainless Steel 3-Prong Spike (12V) Bronze
<b>MHCS-06</b>	6" PVC Single Prong Spike (12V)
<b>MHCS-12</b>	12" PVC Single Prong Spike (12V)
<b>JB-1</b>	Brass In-ground Junction Box
<b>CANOPY MOUNT</b>	
<b>CM1-XXX</b>	3.75" Square Canopy Plate
<b>CM3-XXX</b>	4.75" Square Canopy Plate
<b>CM5-XXX</b>	5" Round Canopy Plate
<b>CM5-2-XXX</b>	5" Round Canopy Plate - Double
<b>SURFACE MOUNT</b>	
<b>CMLJ-XXX</b>	2.7" Round Surface Box
<b>CB4.0-XXX</b>	4" Round Surface Box
<b>CB5.5-XXX</b>	5.5" Round Surface Box

## ADDITIONAL ACCESSORIES (Not installed at time of order)

### GLARE SHIELD ACCESSORIES

<b>GSL-SQ-08-XXX</b>	SQ Glare Shield Long
<b>GSA-SQ-08-XXX</b>	SQ Glare Shield Angled
<b>GSS-SQ-08-XXX</b>	SQ Glare Shield Short

### OPTIC ACCESSORIES

<b>LVR-08</b>	Hexcel Louver
<b>OSL-08</b>	Overall Spread Lens
<b>LSL-08</b>	Linear Spread Lens
<b>SOL-08</b>	Solite Soft Focus
<b>DCF-08</b>	Dichroic Filter
<b>OPK-08</b>	Optic Kit - Narrow, Medium, Wide

- Consult Accessory Spec Sheet for desired option code.
- XXX represents color option.

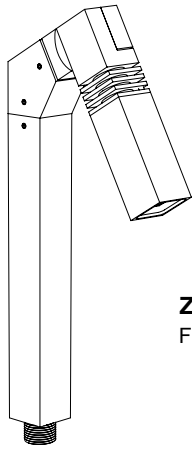
## OUTDOOR MAGNETIC TRANSFORMERS (120V input/12VAC Output)

TRANSFORMERS (Go to [Accessories](#) for detailed specification)

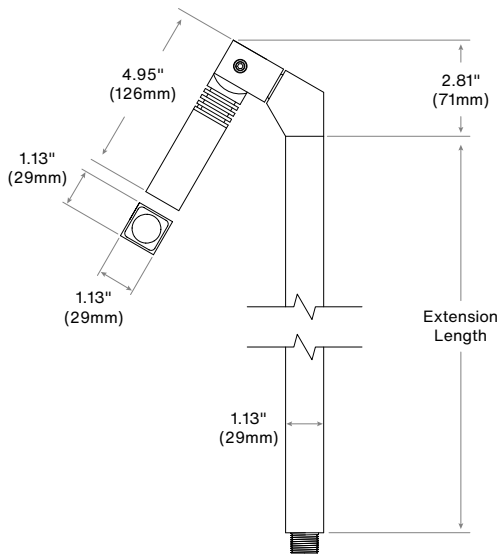
EXAMPLE: TXM-20-120

MODEL		WATTAGE (VA)	PRIMARY VOLTAGE (VAC)
<b>TXM</b>	Compact, damp location magnetic transformer 12VAC Output   MLV Dimming	<b>20, 40, 60, 100, 150, 300</b>	<b>120, 277</b>
<b>TXM</b>	Stainless steel, wet location outdoor magnetic transformer with integrated light sensor Multitap   12VAC Output   MLV Dimming	<b>300</b>	<b>OTR-SS (120V Only)</b>
<b>TXS</b>	Stainless steel, wet location outdoor magnetic transformer Multitap   12VAC Output   MLV Dimming	<b>150, 300, 600</b>	<b>SS (120V Only)</b>
<b>IGT</b>	In-grade outdoor magnetic transformer 12VAC Output   MLV Dimming	<b>50 (120V Only), 100, 300, 600</b>	<b>120, 277</b>
<b>TXE</b>	In-fixture or near mounted electronic transformer 12VAC Output   ELV Dimming   Enclosure by others	<b>60</b>	<b>120, 230, 277</b>

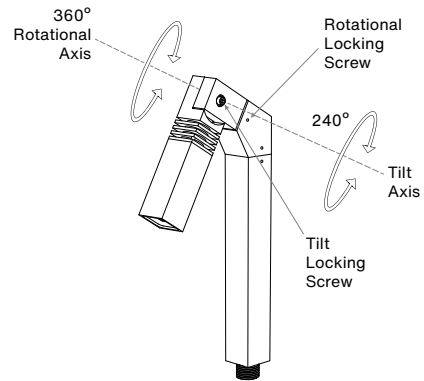
**PRODUCT DRAWINGS**



**ZPL08-0S1F**  
Finned 12" Extension



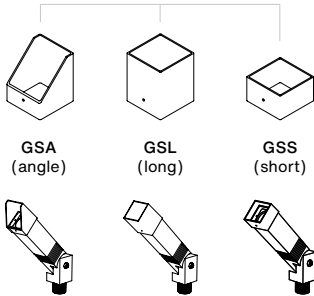
ZPL08-0S1F



OPTIONS & ACCESSORIES

OPTIONAL GLARE SHIELD

For use with SQ Hood,  
fastened with Set Screw



GSA  
(angle)

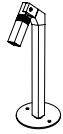
GSL  
(long)

GSS  
(short)

MOUNTING ACCESSORIES

Go to [Accessories](#) for additional options and full specifications.

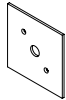
Canopy  
Mount:



Fixture On CM5



CM1



CM3



CM5



CM5-2

Surface  
Mount Box:



Fixture On CB5.5



CMLJ

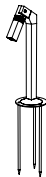


CB4.0



CB5.5

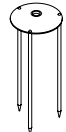
Ground  
Mount:



Fixture On MH02-12



MH02-06



MH02-12



JB-1

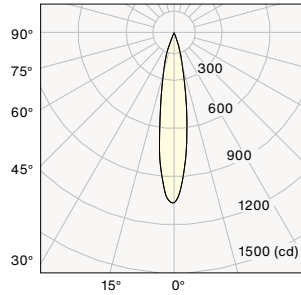


MHCS

Notes:

**PHOTOMETRY & ENERGY DATA**
**ZPL08 (Narrow)**

Input Power	2.97W
Color Temperature (CCT)	3000K
Color Rendering Index (Ra)	80
Beam Angle	18.4°
Max. Candlepower	1037cd
Delivered Lumens	171lm
Efficacy	57lm/W

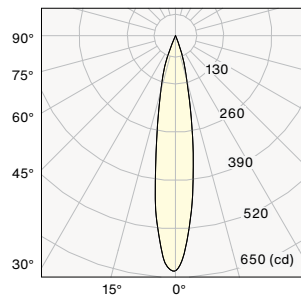
**Polar Graph - Intensity**

**Cone of Light - Illuminance**

Center Beam (fc)	Beam Diameter	Distance
259	0.6'	2.0'
65	1.3'	4.0'
29	1.9'	6.0'
16	2.6'	8.0'
10	3.2'	10.0'

1/2 Beam Angle: 18.4°

**ZPL08 (Medium)**

Input Power	2.98W
Color Temperature (CCT)	3000K
Color Rendering Index (Ra)	80
Beam Angle	25.4°
Max. Candlepower	636cd
Delivered Lumens	169lm
Efficacy	56lm/W

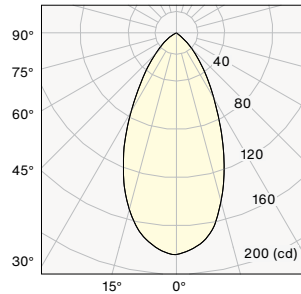
**Polar Graph - Intensity**

**Cone of Light - Illuminance**

Center Beam (fc)	Beam Diameter	Distance
159	0.9'	2.0'
40	1.8'	4.0'
17	2.7'	6.0'
10	3.6'	8.0'
6	4.5'	10.0'

1/2 Beam Angle: 25.4°

**ZPL08 (Wide)**

Input Power	3.0W
Color Temperature (CCT)	3000K
Color Rendering Index (Ra)	80
Beam Angle	50.9°
Max. Candlepower	183cd
Delivered Lumens	157lm
Efficacy	53lm/W

**Polar Graph - Intensity**

**Cone of Light - Illuminance**

Center Beam (fc)	Beam Diameter	Distance
46	1.9'	2.0'
11	3.8'	4.0'
5	5.7'	6.0'
3	7.6'	8.0'
2	9.5'	10.0'

1/2 Beam Angle: 50.9°

**WATTAGE MULTIPLIER**

Wattage	Multiplier
3 Watt	1.00

**CCT MULTIPLIER**

Color Temp.	Multiplier
2700k	0.96
3000k	1.00
4000k	1.03